

.56 [14.3] DIA. HOLE
 4 PLACES ON BOTTOM
 FLANGES FOR CUSTOMER
 MOUNTING

CONTROLS:
 CONTROLLER ON/OFF SWITCH: THIS SWITCH TURNS OFF POWER TO THE CONTROLLER AND DIGITAL VOLTMETER.
 MOTOR ON/OFF SWITCH: THIS SWITCH TURNS OFF POWER TO THE CONTROLLER OUTPUT.
 OUTPUT ADJUSTMENT: THIS POTENTIOMETER CONTROL IS ROTATED CLOCKWISE TO INCREASE OUTPUT VOLTAGE SET POINT AND COUNTERCLOCKWISE TO DECREASE THE OUTPUT VOLTAGE SET POINT.
 VOLTMETER: THE DIGITAL VOLTMETER INDICATES THE REGULATED OUTPUT VOLTAGE SETTING.
 RAISE/LOWER SWITCH: THIS SWITCH IS LOCATED INTERNALLY AND IS ACCESSIBLE FROM THE FRONT VIA THE REMOVABLE ACCESS PANEL. THE SWITCH ALLOWS FOR THE MOTORIZED VARIABLE TRANSFORMER TO BE MANUALLY CONTROLLED.

NOTE:
 SEE THE FRC-20 USER'S HANDBOOK, FORM #003-1922 FOR DETAILED INFORMATION.

WIRE RANGES FOR CUSTOMER WIRING:
 INPUT/OUTPUT/NEUTRAL TERMINALS: (1) (#2-14 AWG) COMPRESSION PER PHASE
 GROUND TERMINAL: (1) (#2-14 AWG) COMPRESSION

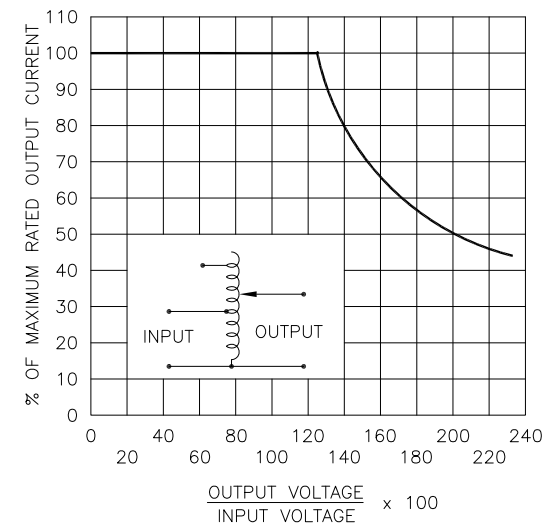
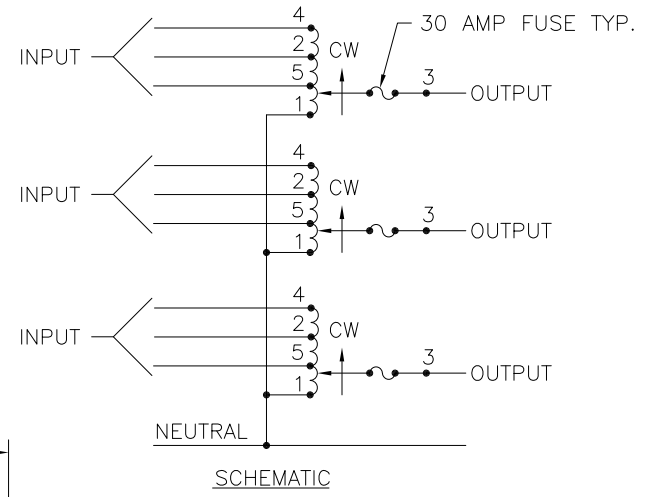
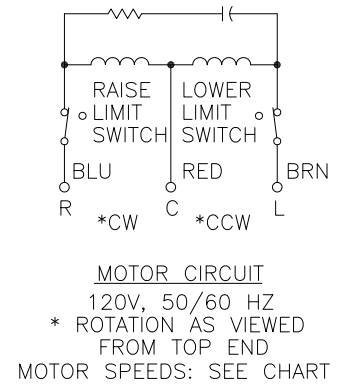


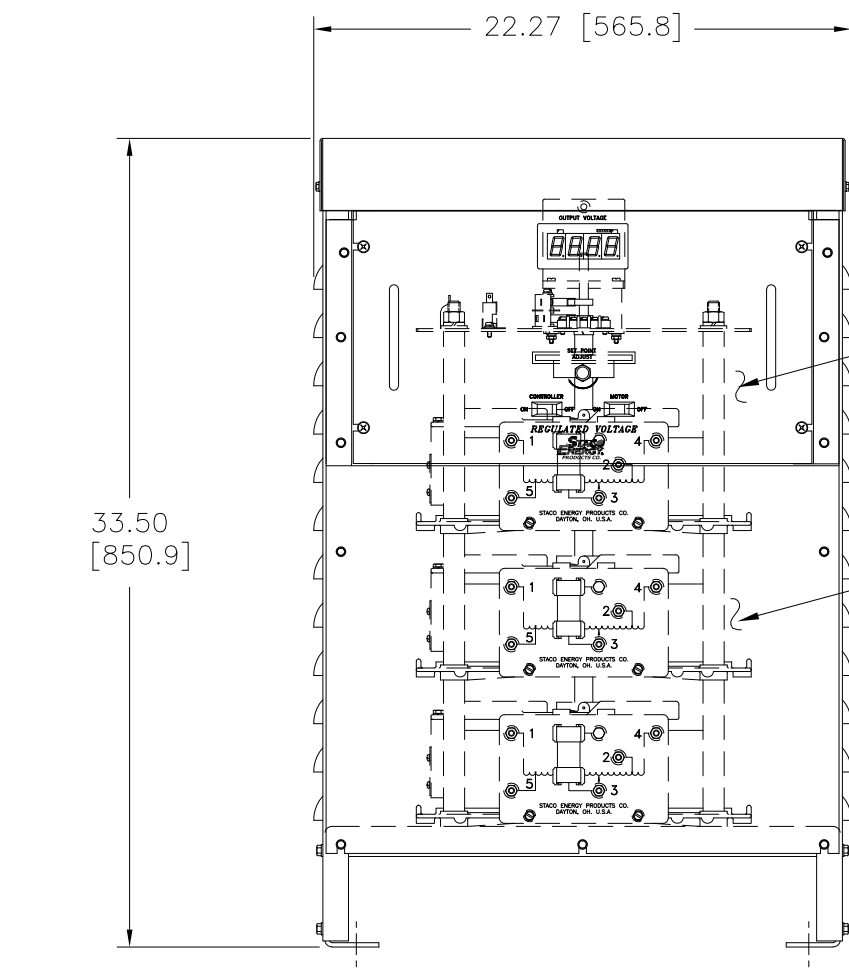
FIGURE A
 MAXIMUM OUTPUT CURRENT OF ANY DUAL INPUT VOLTAGE OR VOLTAGE DOUBLER UNIT OPERATED AT LOWER INPUT VOLTAGE.

* MAXIMUM OUTPUT CURRENT IN OUTPUT VOLTAGE RANGE FROM 0 TO 25 PERCENT ABOVE LINE VOLTAGE. AT HIGHER OUTPUT VOLTAGES, OUTPUT CURRENT MUST BE REDUCED ACCORDING TO RATING CURVE (SEE FIGURE A).

++ MAXIMUM KVA AT MAXIMUM OUTPUT AND CORRESPONDING DE-RATED CURRENT. MAXIMUM KVA AT LOWER OUTPUT VOLTAGES MAY BE CALCULATED FROM RATING CURVE, (SEE FIGURE A).

V.D. = VOLTAGE DOUBLER.

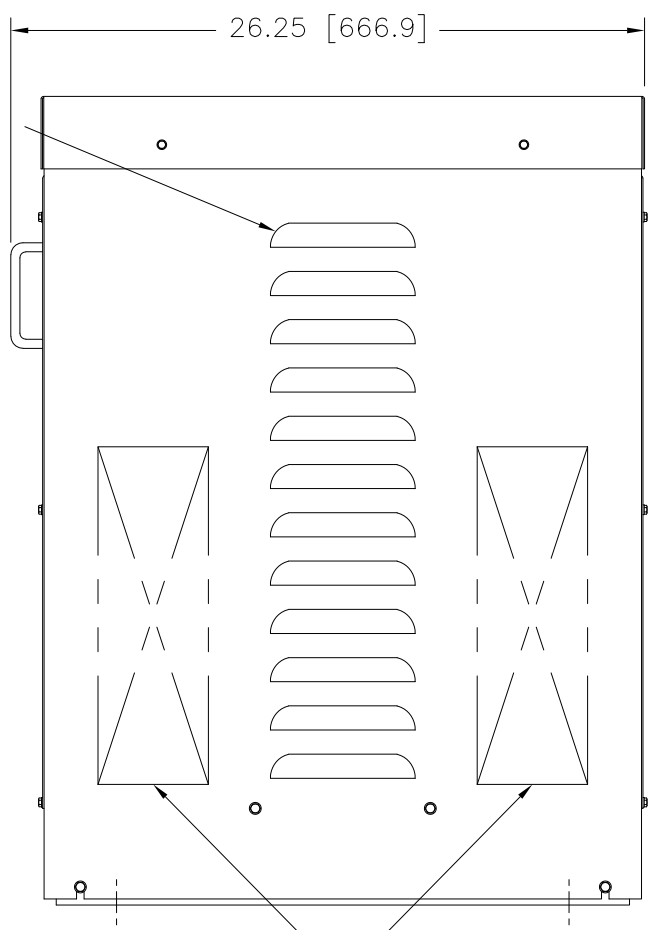
SPEED (SECONDS)	MODEL NUMBER
5	FV5M5021E-3Y
15	FV15M5021E-3Y
30	FV30M5021E-3Y
60	FV60M5021E-3Y



LOUVER VENTS
 BOTH SIDES

SEE SHEET #2
 FOR PANEL DETAILS

ACCESS PANEL TO
 FUSES & TERMINALS



RECOMMENDED AREAS
 FOR CONDUIT ENTRY

WIRING	INPUT		OUTPUT			SHAFT ROTATION FOR VOLTAGE INCREASE	TERMINAL CONNECTIONS FOR INCREASING VOLTAGE AS VIEWED FROM TOP	
	VOLTS	HERTZ	VOLTS	CONSTANT CURRENT LOAD			INPUT	OUTPUT
				MAX. AMPS	MAX. KVA			
THREE PHASE WYE	480	50/60	0-480	28	23.3	CW	4-4-4	3-3-3
		60	0-560	28	27.2	CW	2-2-2	3-3-3
	240	60	0-560	28-12 V.D.	11.8 ++	CW	5-5-5	3-3-3

UNLESS OTHERWISE SPECIFIED, TOLERANCE IS ± DECIMALS .XX .XXX .12 .008 .03 ANGLES 1° 1-1/2° DRAFT 1-1/2° UNITS IN [mm]

MATERIAL: ALL DIMENSIONS APPLY AFTER PLATING

TITLE: SPEC. CONTROL DRAWING
 MOTORIZED VARIABLE XFMR.
 TYPE: FVM5021E-3Y

DRAWN BY: TIM RAU DATE: 12/15/99 FIRST USED ON: DO NOT SCALE DWG.
 CHECKER: DATE: WEIGHT APPROX. CASE CODE 83008 DWG. NO. 031-8291
 ENGINEER: DATE: SCALE .25=1 SHEET 1 OF 2

STACO ENERGY PRODUCTS CO.
 A Components Corporation of America Company
 2425 Technical Drive Marietta, Ohio 45754 USA

8

7

6

5

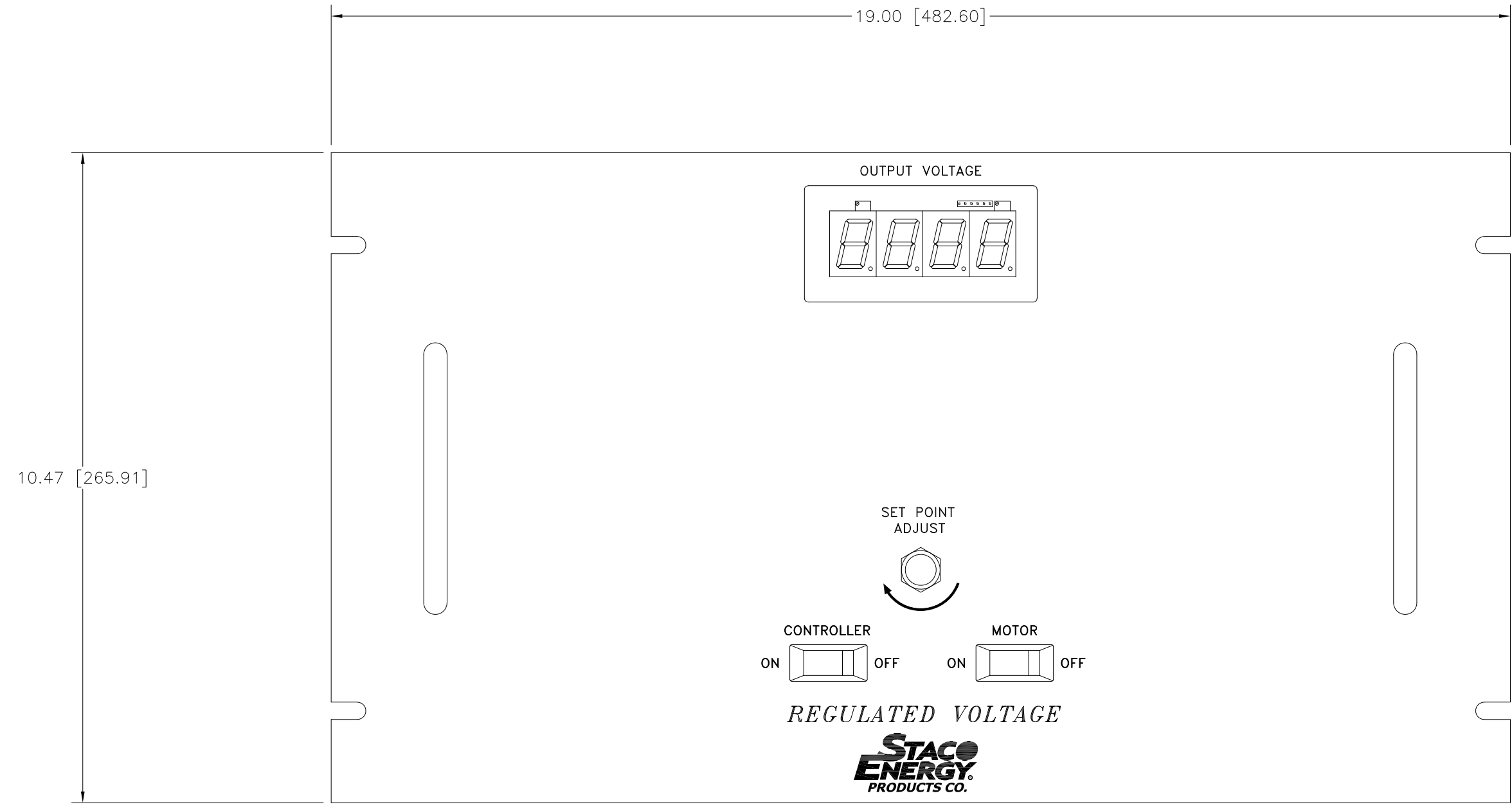
4

3

2

1

DWG. NO.	031-8291		
REVISIONS			
SYM.	E.C.O.	DATE	APVD.
A	29023	7/27/2	
UPDATED R/L SWITCH AND PANEL			



UNLESS OTHERWISE SPECIFIED, TOLERANCE IS ±		UNITS		TITLE:			
DECIMALS	HOLES	ANGLES	DRAFT	SPEC. CONTROL DRAWING			
.XX .010	.005	1°	1-1/2°	MOTORIZED VARIABLE XFMR		<small>A Components Corporation of America Company 2425 Technical Drive - Marietta, Ohio 45742 USA</small>	
MATERIAL:				ALL DIMENSIONS APPLY AFTER PLATING		TYPE: FVM5021E-3Y	
DRAWN BY		DATE	FIRST USED ON	DO NOT SCALE DWG.		DWG. NO.	
TIM RAU		12/15/99				031-8291	
CHECKER		DATE	WEIGHT APPROX.	CASE CODE		DWG. SIZE	
				83008		D	
ENGINEER		DATE	SCALE	SHEET 2 OF 2		DWG. NO.	
			1=1			031-8291	

8

7

6

5

4

3

2

1