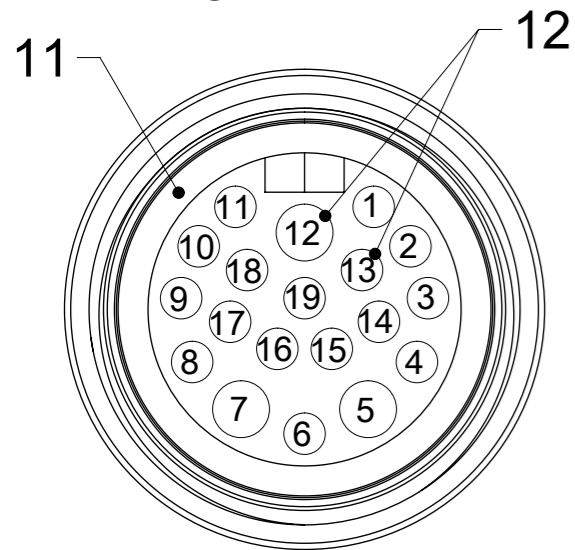


**TABLE 1**

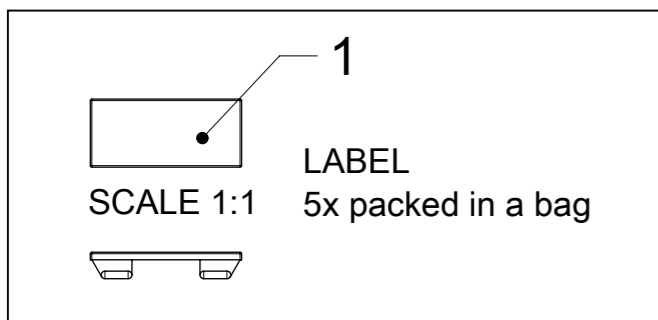
MOLEX P/N	ENG. NO.	CABLE LENGTH (mm)	LED
1202480110	BTB4120-FBW-003	300	NO
1202480111	BTB4120-FBW-01	1000	NO
1202480112	BTB4120-FBW-05	5000	NO
1202480113	BTB4120-FBW-10	10000	NO
1202480114	BTB412N-FBW-003	300	YES
1202480115	BTB412N-FBW-05	5000	YES

**19 POLE MALE FACE VIEW**



PIN	COLOR
3	GREY
4	RED/BLUE
5	BLUE
6	GREEN
7	BROWN
8	WHITE/GREEN
12	YELLOW/GREEN
14	BROWN/GREEN
15	WHITE
16	YELLOW
19	GREY/PINK

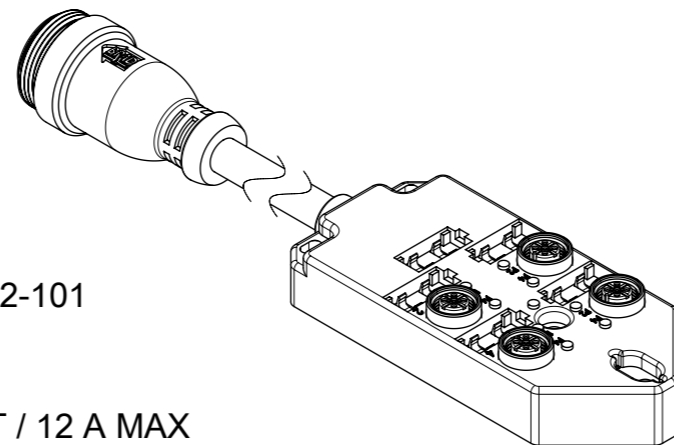
SCALE 2:1



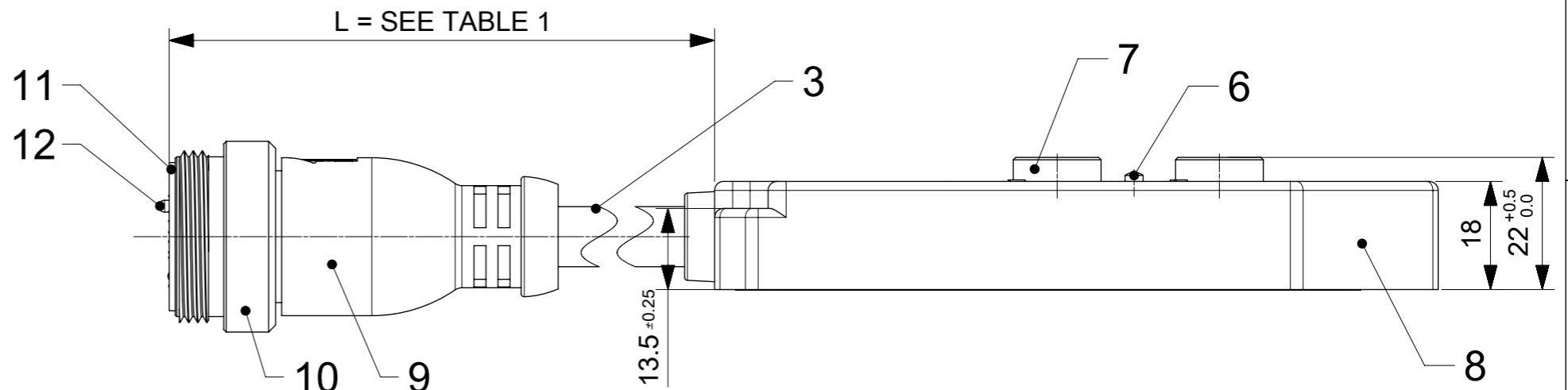
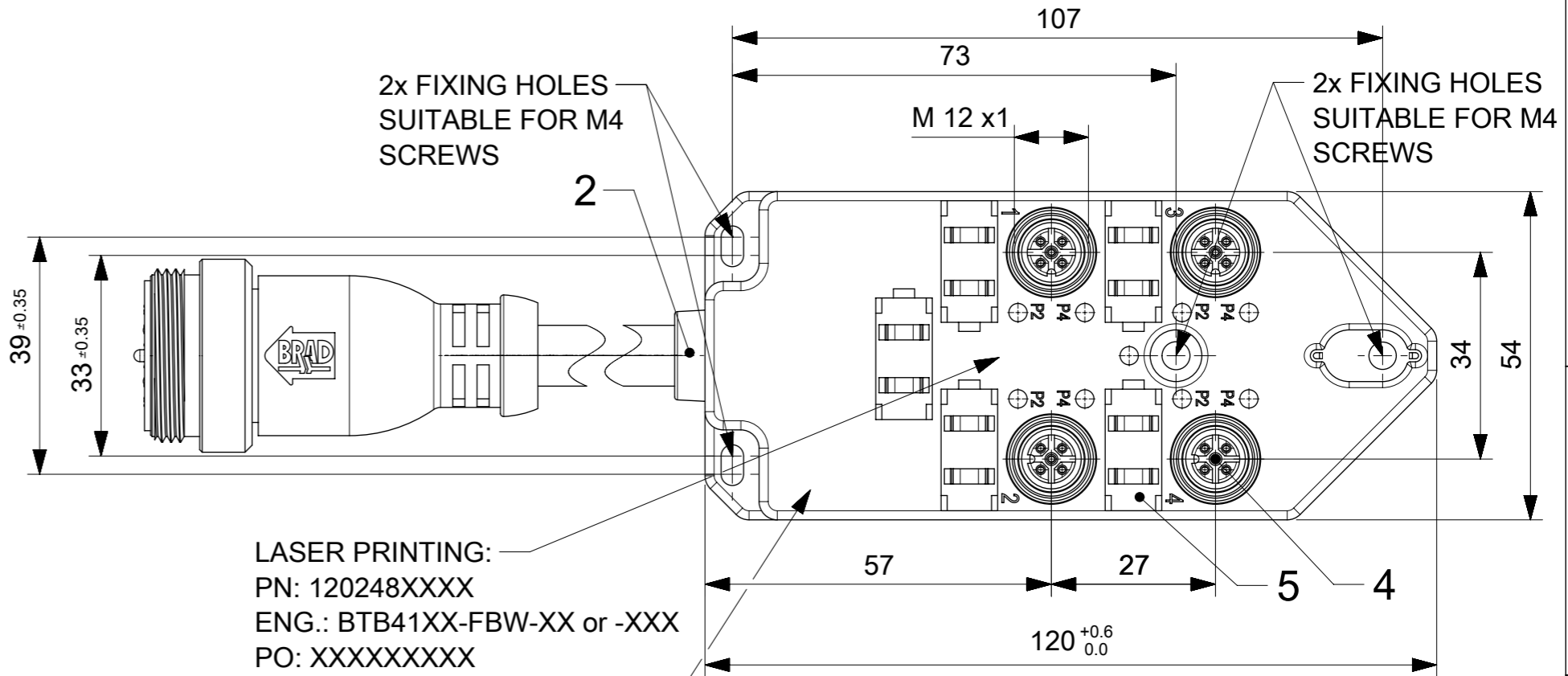
**GENERAL CHARACTERISTICS:**

ELECTRICAL AND MECHANICAL DATA ACC. TO IEC 61076-2-101

NOMINAL VOLTAGE: 10-30 V DC  
 AMPERE RATING: 4 A PER PORT / 12 A MAX  
 AMPERE RATING WITH UL REGISTRATION: 3 A PER PORT / 9 A MAX  
 IP DEGREE OF PROTECTION: IP 67  
 TEMPERATURE RANGE: -25°C to + 85°C



SCALE 1:2



SYMBOLS	THIS DRAWING CONTAINS INFORMATION THAT IS PROPRIETARY TO MOLEX ELECTRONIC TECHNOLOGIES, LLC AND SHOULD NOT BE USED WITHOUT WRITTEN PERMISSION	
	DIMENSION UNITS	SCALE
▽ = 0	mm	
▽ = 0	GENERAL TOLERANCES (UNLESS SPECIFIED)	
▽ = 0	ANGULAR TOL	± °
▽ = 0	4 PLACES	±
▽ = 0	3 PLACES	±
▽ = 0	2 PLACES	±
▽ = 0	1 PLACE	±
▽ = 0	0 PLACES	± 0.25
■ = 0	DRAFT WHERE APPLICABLE MUST REMAIN WITHIN DIMENSIONS	
▽ = 0	THIRD ANGLE PROJECTION	
CURRENT REV DESC: LASER PRINTING ADDED		
EC NO: 606042		
DRWN: MDHARMANTI 2018/08/30		
CHK'D: RSILLER 2018/10/18		
APPR: RSILLER 2018/10/18		
INITIAL REVISION:		
DRWN: ULETENMEIER 2016/10/20		
APPR: RSILLER 2016/11/16		
DRAWING		SERIES
A3-SIZE		120248
DOCUMENT NUMBER		DOC TYPE DOC PART REVISION
1202480110		PSD 000 B
MATERIAL NUMBER		CUSTOMER
SEE TABLE 1		GENERAL MARKET
SHEET NUMBER		1 OF 2

