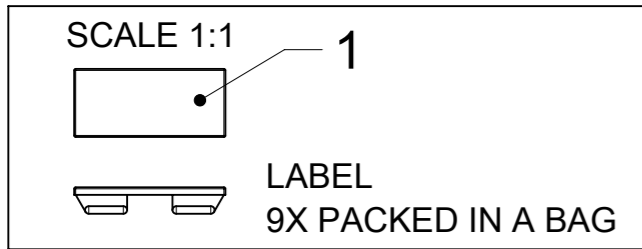


**TABLE 1**

MOLEX P/N	ENG. NO.	CABLE LENGTH (mm)	LED
1202510028	BKB8050-FBW-05	5000	NO
1202510029	BKB8050-FBW-10	10000	NO
1202510030	BKB8050-FBW-15	15000	NO
1202510031	BKB805P-FBW-05	5000	YES
1202510032	BKB805P-FBW-10	10000	YES
1202510033	BKB805P-FBW-15	15000	YES
1202510034	BKB805N-FBW-05	5000	YES
1202510035	BKB805N-FBW-10	10000	YES
1202510036	BKB805N-FBW-15	15000	YES

**TABLE 2**

ITEM	DESCRIPTION	MATERIAL	FINISH
1	LABEL	ABS	WHITE
2	CABLE PLATE	PBT	BLACK
3	CABLE	TPU BASED	BLACK
4	CONTACT	BRONZE	GOLD OVER NICKEL
5	O-RING	FPM	RED
6	LED	NON LED = PBT	BLACK
		WITH LED = PA	TRANSPARENT
7	SHELL	BRASS	NICKEL PLATED
8	HOUSING	PBT	BLACK



**GENERAL CHARACTERISTICS:**

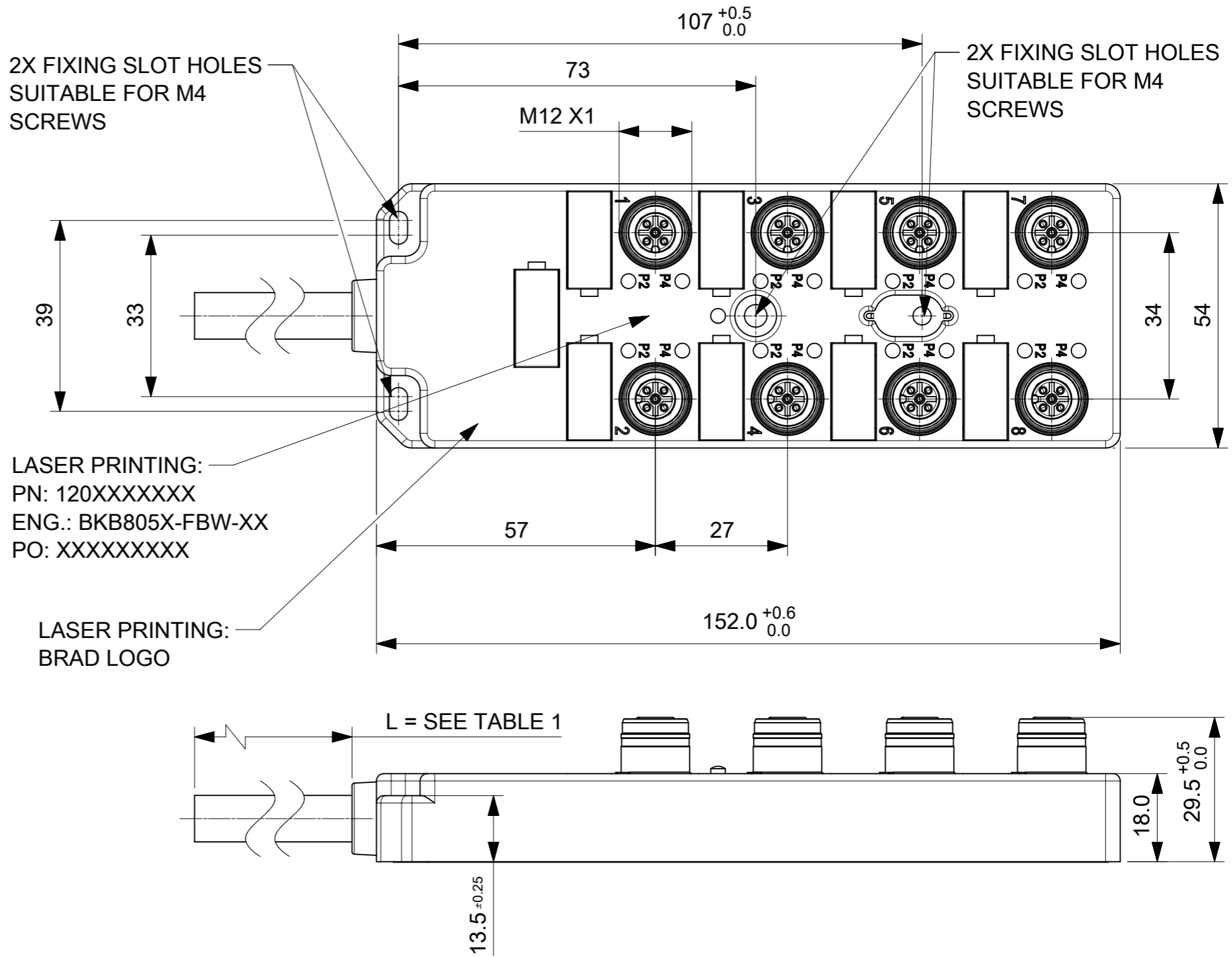
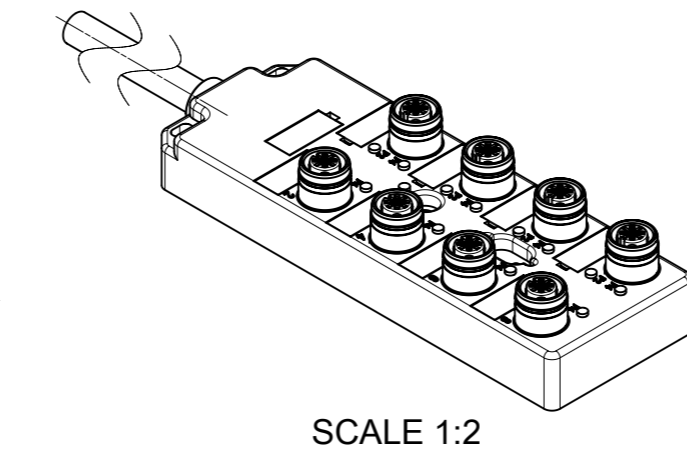
ELECTRICAL AND MECHANICAL DATA ACC. TO IEC 61076-2-101

NOMINAL VOLTAGE: 10-30 V DC  
 AMPERE RATING: 4 A PER PORT / 12 A MAX  
 AMPERE RATING WITH UL REGISTRATION: 3 A PER PORT / 9 A MAX  
 IP DEGREE OF PROTECTION: IP 67  
 TEMPERATURE RANGE: -25°C to + 85°C

2X FIXING SLOT HOLES  
SUITABLE FOR M4  
SCREWS

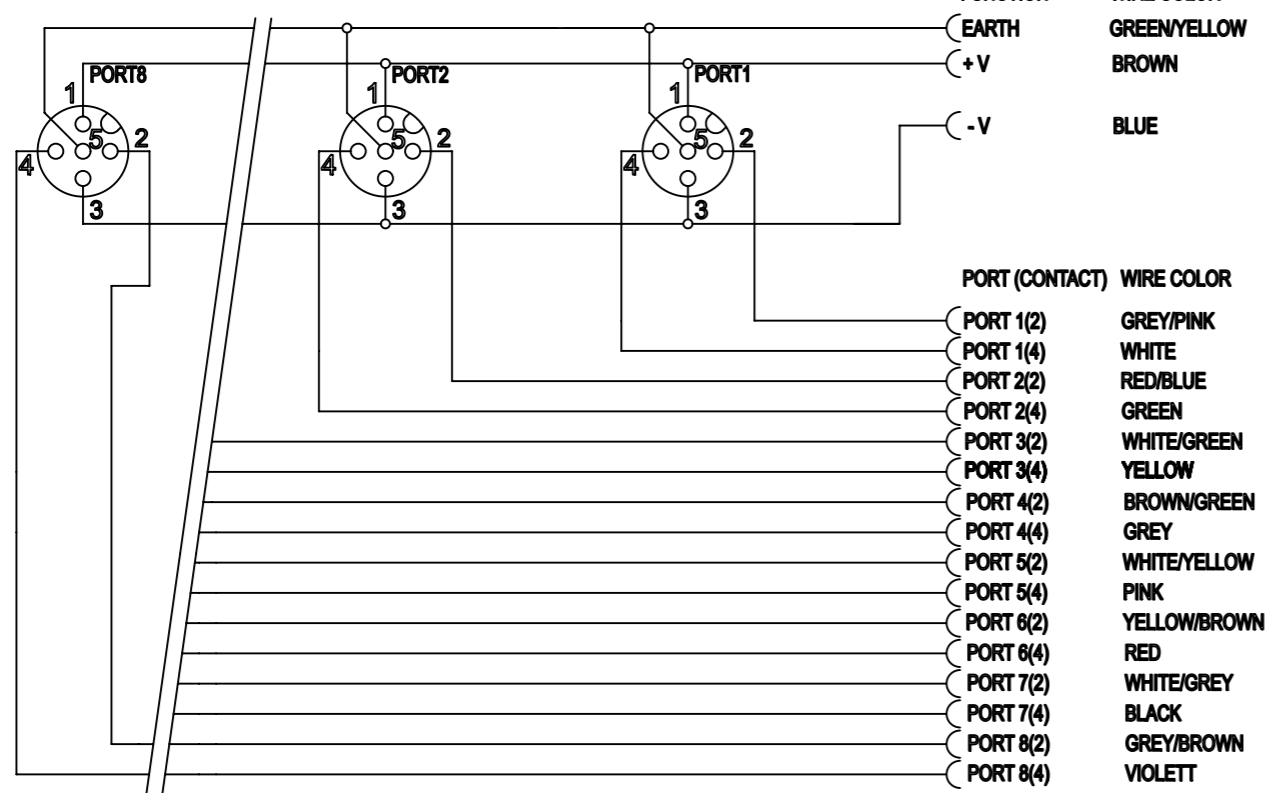
LASER PRINTING:  
PN: 120XXXXXXX  
ENG.: BKB805X-FBW-XX  
PO: XXXXXXXXXX

LASER PRINTING:  
BRAD LOGO

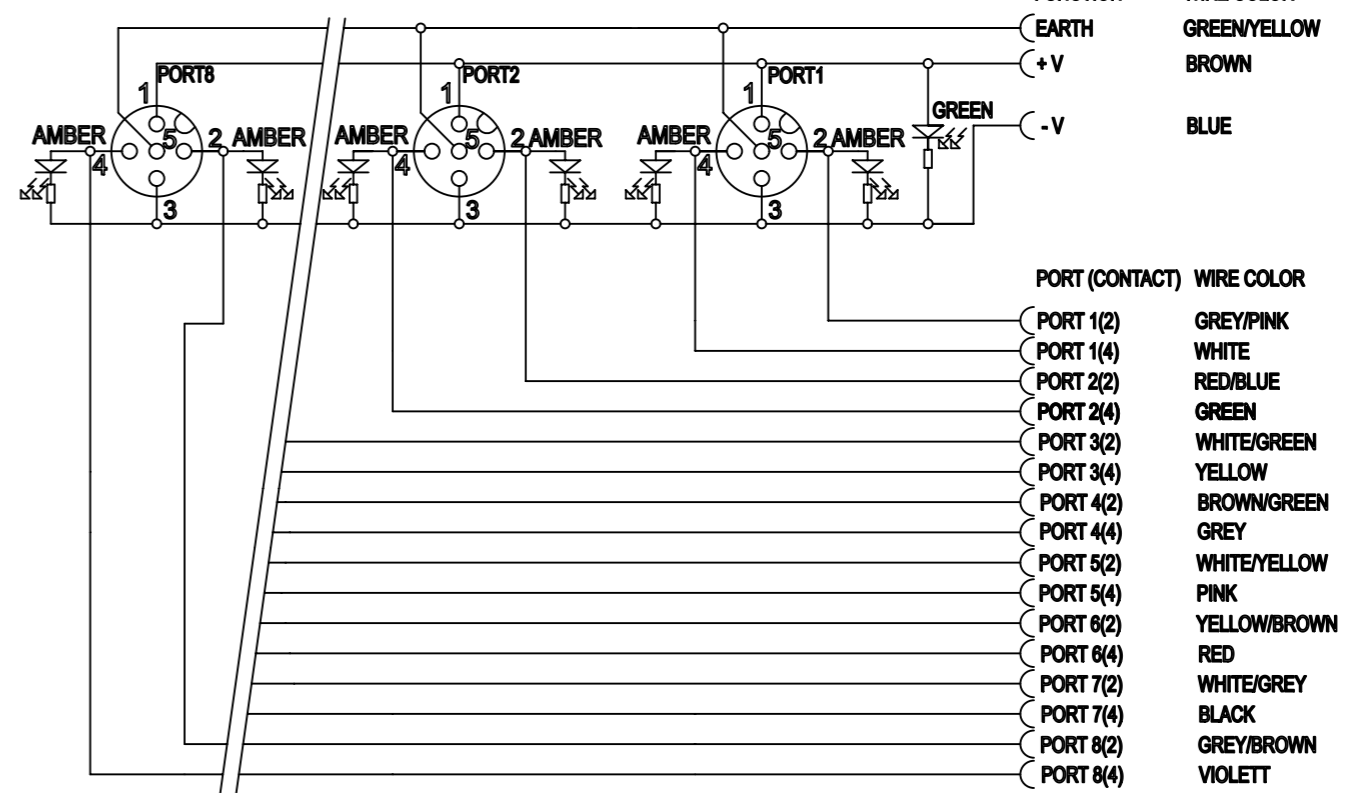


SYMBOLS		THIS DRAWING CONTAINS INFORMATION THAT IS PROPRIETARY TO MOLEX ELECTRONIC TECHNOLOGIES, LLC AND SHOULD NOT BE USED WITHOUT WRITTEN PERMISSION	
▽ = 0	mm	SCALE	1:1
▽ = 0	GENERAL TOLERANCES (UNLESS SPECIFIED)		
▽ = 0	ANGULAR TOL	±	°
▽ = 0	4 PLACES	±	
▽ = 0	3 PLACES	±	
▽ = 0	2 PLACES	±	
▽ = 0	1 PLACE	±	
▽ = 0	0 PLACES	±	0.25
■ = 0	DRAFT WHERE APPLICABLE MUST REMAIN WITHIN DIMENSIONS		
▽ = 0	THIRD ANGLE PROJECTION		
CURRENT REV DESC:		EC NO: 631635	
		DRWN: MDHARMANTI 2020/01/27	
		CHK'D: RSILLER 2020/02/05	
		APPR: RSILLER 2020/02/05	
INITIAL REVISION:		DRWN: ULETTENMEIER 2018/07/26	
		APPR: RSILLER 2020/01/17	
DOCUMENT NUMBER		1202510028	
DOC TYPE		PSD	
DOC PART		000	
REVISION		A1	
MATERIAL NUMBER		SEE TABLE 1	
CUSTOMER		GENERAL MARKET	
SHEET NUMBER		1 OF 2	

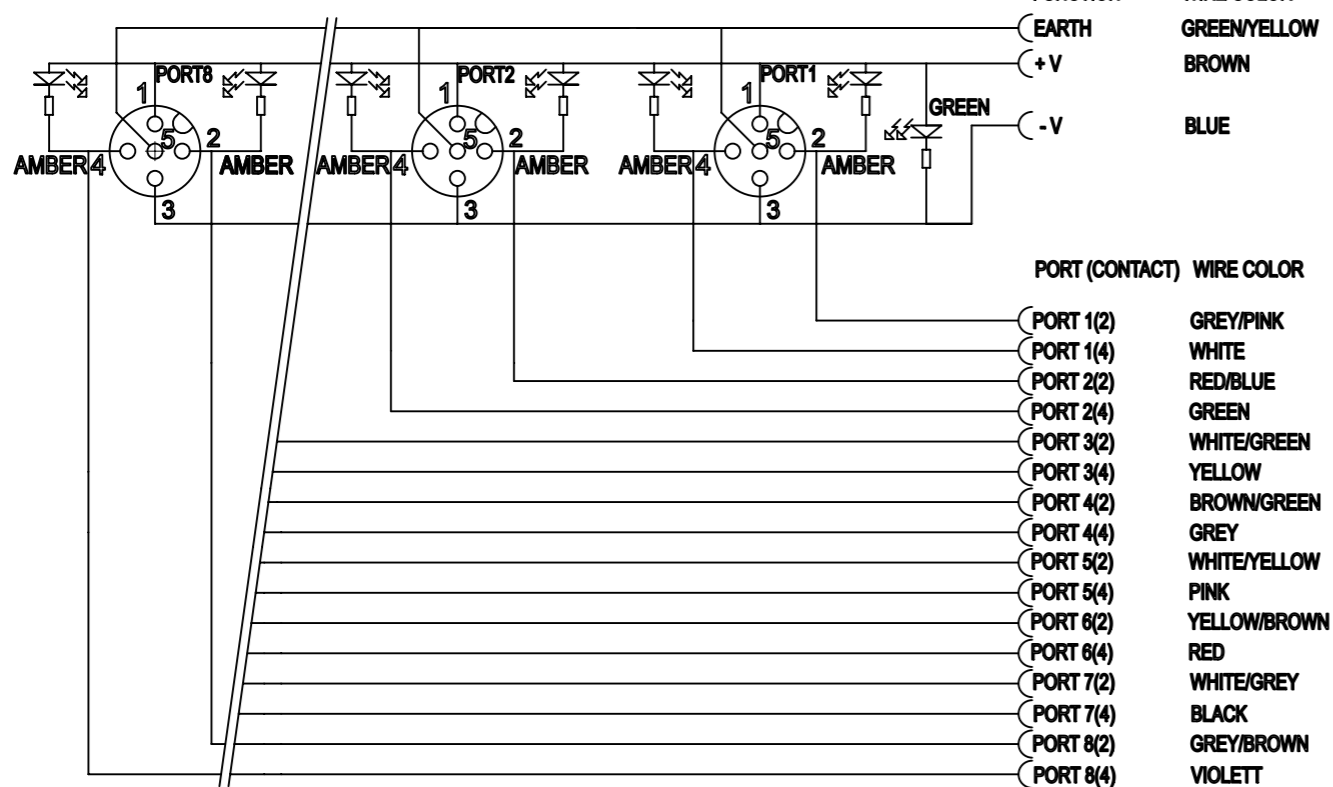
# Wiring Diagram NON LED Dual



# Wiring Diagram PNP Dual



# Wiring Diagram NPN Dual



### CABLE LENGTH TOLERANCES

LENGTH [m]	TOLERANCE [mm]
0-1	+40
>1-5	+60
>5-10	+80
>10-20	+140
>20-30	+160
>30	+1% length

SYMBOLS		THIS DRAWING CONTAINS INFORMATION THAT IS PROPRIETARY TO MOLEX ELECTRONIC TECHNOLOGIES, LLC AND SHOULD NOT BE USED WITHOUT WRITTEN PERMISSION		CURRENT REV DESC:		<b>molex</b>		
▽ = 0	mm	SCALE	1:1	EC NO: 631635				
▽ = 0	GENERAL TOLERANCES (UNLESS SPECIFIED)		DRWN: MDHARMANTI		2020/01/27	MPIS U12 NON PNP NPN 5P 8PT BK XM DUAL		
▽ = 0	ANGULAR TOL ± °		CHK'D: RSILLER		2020/02/05	PRODUCT CUSTOMER DRAWING		
▽ = 0	4 PLACES ±		APPR: RSILLER		2020/02/05	DOCUMENT NUMBER		
▽ = 0	3 PLACES ±		INITIAL REVISION:		1202510028			
▽ = 0	2 PLACES ±		DRWN: ULETENMEIER		2018/07/26	DOC TYPE DOC PART REVISION		
▽ = 0	1 PLACE ±		APPR: RSILLER		2020/01/17	PSD 000 A1		
▽ = 0	0 PLACES ± 0.25		THIRD ANGLE PROJECTION		DRAWING		SHEET NUMBER	
■ = 0	DRAFT WHERE APPLICABLE MUST REMAIN WITHIN DIMENSIONS		DRAWING		SERIES		MATERIAL NUMBER CUSTOMER	
▽ = 0			A3-SIZE		120251		SEE TABLE 1 GENERAL MARKET	