

UPOS-510 Series

15" 4:3 Modularized POS System
UPOS-510D with Intel® J1900 Processor
UPOS-510F with Intel® Core i3/i5/Celeron Processor



Features

- 15.1" TFT display in LED backlight.
- Flat and borderless front PCAP touch panel design.
- Fanless design for quiet operation.
- Aluminum alloy tower of stand provide the reliable system and able to deploy in small space.
- Clean cable and screwless back design
- Reserved display hatched for peripheral requirement



Introduction

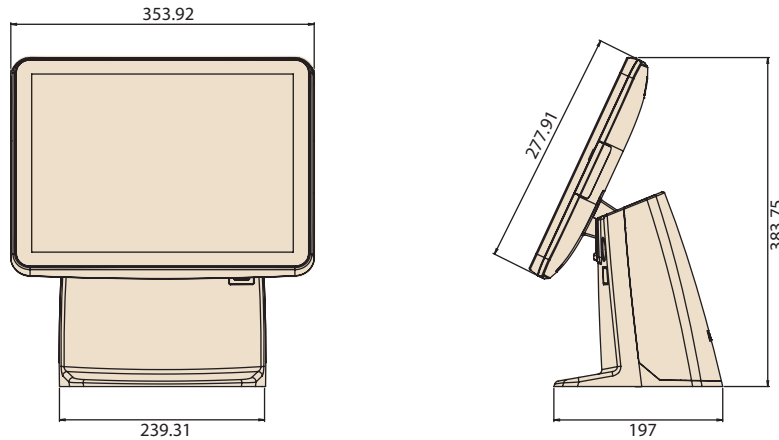
UPOS series is a modern and sleek industrial Point of Sales system. Borderless front touch panel maximizes the viewing area. Aluminum alloy coating stand provides secured support to the display. Small footprint enables the system to be deployed in limited-space scenarios. Snap-in back cover allows quick access to the system and easy maintenance. Front display reserved hatches on the top and both sides, varying the needs to expand peripheral applications.

Specifications

System	Model	510D	510F	
	CPU	Intel® Celeron® J1900 processor	Intel® Celeron® 3955U/Core™ i5-6300U/Core™ i3-6100U	
	System Memory	SODIMM x1 (Maximum up to 8GB DDR3L)	SO DIMM x1 (Maximum up to 16GB DDR4-2133)	
Storage	HDD	1 x 2.5" SATA HDD/SSD Bay	1 x 2.5" SATA HDD/SSD Bay(optional 2nd SATA3)	
	SATA	SATA II (3.0Gb/S)	SATA III (6.0Gb/S)	
	Expansion	1 x Full-size mini PCIe (for mSATA/Wi-Fi/BT)		
Display	Resolution	15" TFT LCD (1024 x 768) with LED backlight		
	Brightness	250 cd/ m ²		
	Touch Screen	P-Cap Touch		
External I/O	Serial Port	2 x COM (RJ48 with 5V/12V selectable by internal jumper) (Max to 4 x COM)		
	USB Port	1 x USB 2.0 in front	1 x USB 2.0 in front	
		1 x USB 3.0 and 1 x USB 2.0 in IO bay (Max to 1 x USB 3.0 and 3 x USB 2.0)	2 x USB 3.0 in IO bay (Max to 2 x USB3.0 and 3 x USB2.0)	
	Video Output	1 x VGA1 Port (DSUB-15) 1 x Display Port (Reserved for BOX PC)		
	Ethernet	1 x RJ-45 Gigabit Ethernet(10/100/1000)		
	Cash Drawer	1 x RJ11 (12V Default /24V by internal jumper)		
	DC In	4 pin power jack		
	DC Out	12V 2-pin connector for 2nd display		
	Speaker	1 x 2W speakers		
	Power Button	Power Switch (LED indicator inside)		
	Display Hatch (Top)	VGA for second display		
	Display Hatch (Right)	PS/2 + USB		
	Display Hatch (Left)	Reserved		
	Optional Modules	Adapter	60W	84W
Second Display		Supports 10.1" TFT LCD/VFD via display hatch (top) Supports 15" TFT LCD via rear pole mount		
Peripherals		<ul style="list-style-type: none"> ▪ MSR ▪ MSR + iButton ▪ MSR + Fingerprint ▪ MSR + RFID ▪ MSR + IC card 		
		Connectivity	WiFi (802.11 b/g/n), Optional	
	Mechanical & Environmental	Color	Black / White / Black+Orange	
		Operating Temperature	0 ~ 40 °C (32 ~ 104 °F)	
		Humidity	10 ~ 95% @ 40 °C, non-condensing	
Software	Certifications	CE/FCC/BSMI/CCC/CB		
	OS Support	POSReady 7 / Win 10 IoT Enterprise		

Dimensions

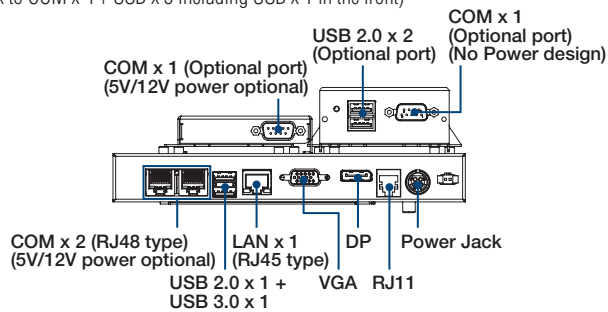
Unit: mm



IO View

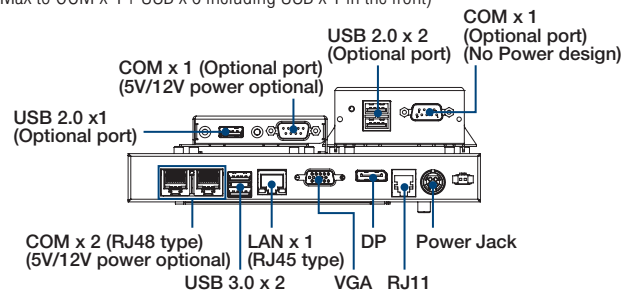
UPOS-510DP

(Max to COM x 4 + USB x 5 including USB x 1 in the front)



UPOS-510FP

(Max to COM x 4 + USB x 6 including USB x 1 in the front)



Order Information

Part Number	Description
UPOS-510DP-AST00	J1900 USB3 COM2 BK 4G RAM
UPOS-510DP-AST01	J1900 USB3 COM2 BK 4G RAM 500G HD
UPOS-510DP-AST02	J1900 USB3 COM2 BK 4G RAM 64G SSD
UPOS-510FP-AI300	i3-6100U,4G RAM, BK, USB3, COM2
UPOS-510FP-AI301	i3-6100U,4G RAM, BK, USB3, COM2, 500G HD
UPOS-510FP-AI302	i3-6100U,4G RAM, BK, USB3, COM2, 64G SSD
UPOS-510FP-AI500	i5-6300U USB3 COM2 BK 4G RAM
UPOS-510FP-AI501	i5-6300U USB3 COM2 BK 4G RAM 500G HD
UPOS-510FP-AI502	i5-6300U USB3 COM2 BK 4G RAM 64G SSD

Thermal Printer

Peripherals	P/N	Description
USB+ Serial	UPOS-P04-A000	SLK-TE213, 50-82.5mm, 300mm/s, USB + Serial
USB+ Ethernet	UPOS-P04-A001	SLK-TE213, 50-82.5mm, 300mm/s, USB + Ethernet
USB+Serial+Ethernet	UPOS-P04-A002	SLK-T21EB, 50-82.5mm, 220mm/s, USB + Serial + Ethernet
USB+Serial	UPOS-P04-A003	SLK-TL212 50-82.5mm, 220mm/s, USB + Serial
USB+ Parallel	UPOS-P04-A004	SLK-TE213, 50-82.5mm, 300mm/s, USB + Parallel

Peripheral

Peripherals	P/N	Description
VFD	UPOS-P01-A102	VFD, 2025, COM, rear mount, 510, 520, M15
10.1" second display	UPOS-P02-A100	10.1" 2nd display,BK,rear mount for UPOS-510/520
15.1" second display	UPOS-P02-A102	15.1" 4:3 2nd DS BK pole mount VGA,UPOS-510
15.1" second display+Touch	UPOS-P02-A103	15.1" 4:3 2nd DS P-Cap touch BK pole mount VGA,UPOS-510
MSR,PS2	UPOS-P03-A100	MSR, PS2 for UPOS-510/UPOS-520
MSR, PS2+ibutton	UPOS-P03-A101	MSR, PS2 + ibutton for UPOS-510/UPOS-520
MSR, PS2+RFID	UPOS-P03-A102	MSR, PS2 + RFID for UPOS-510/UPOS-520
MSR, PS2 + fingerprint	UPOS-P03-A103	MSR, PS2 + fingerprint for UPOS-510/UPOS-520
MSR, PS2 + IC card reader	UPOS-P03-A104	MSR, PS2 + IC card for UPOS-510/UPOS-520
MSR, USB	UPOS-P03-A105	MSR, USB for UPOS-510/UPOS-520/M15

Cash Drawer

Peripherals	P/N	Description
12V Input	UPOS-P06-A000	AD-420 CASH DRAWER E-913 + T-108 12V
24V Input	UPOS-P06-A001	AD-420 CASH DRAWER E-913 + T-108 24V
24V Input	UPOS-P06-A002	AD-420 CASH DRAWER E-913 + T-121 24V