



MICROCHIP

**PIC32 Bluetooth[®] Starter Kit
User's Guide**

Note the following details of the code protection feature on Microchip devices:

- Microchip products meet the specification contained in their particular Microchip Data Sheet.
- Microchip believes that its family of products is one of the most secure families of its kind on the market today, when used in the intended manner and under normal conditions.
- There are dishonest and possibly illegal methods used to breach the code protection feature. All of these methods, to our knowledge, require using the Microchip products in a manner outside the operating specifications contained in Microchip's Data Sheets. Most likely, the person doing so is engaged in theft of intellectual property.
- Microchip is willing to work with the customer who is concerned about the integrity of their code.
- Neither Microchip nor any other semiconductor manufacturer can guarantee the security of their code. Code protection does not mean that we are guaranteeing the product as "unbreakable."

Code protection is constantly evolving. We at Microchip are committed to continuously improving the code protection features of our products. Attempts to break Microchip's code protection feature may be a violation of the Digital Millennium Copyright Act. If such acts allow unauthorized access to your software or other copyrighted work, you may have a right to sue for relief under that Act.

Information contained in this publication regarding device applications and the like is provided only for your convenience and may be superseded by updates. It is your responsibility to ensure that your application meets with your specifications. MICROCHIP MAKES NO REPRESENTATIONS OR WARRANTIES OF ANY KIND WHETHER EXPRESS OR IMPLIED, WRITTEN OR ORAL, STATUTORY OR OTHERWISE, RELATED TO THE INFORMATION, INCLUDING BUT NOT LIMITED TO ITS CONDITION, QUALITY, PERFORMANCE, MERCHANTABILITY OR FITNESS FOR PURPOSE. Microchip disclaims all liability arising from this information and its use. Use of Microchip devices in life support and/or safety applications is entirely at the buyer's risk, and the buyer agrees to defend, indemnify and hold harmless Microchip from any and all damages, claims, suits, or expenses resulting from such use. No licenses are conveyed, implicitly or otherwise, under any Microchip intellectual property rights.

Trademarks

The Microchip name and logo, the Microchip logo, dsPIC, FlashFlex, flexPWR, JukeBlox, KEELOQ, KEELOQ logo, Kleer, LANCheck, MediaLB, MOST, MOST logo, MPLAB, OptoLyzer, PIC, PICSTART, PIC³² logo, RightTouch, SpyNIC, SST, SST Logo, SuperFlash and UNI/O are registered trademarks of Microchip Technology Incorporated in the U.S.A. and other countries.

The Embedded Control Solutions Company and mTouch are registered trademarks of Microchip Technology Incorporated in the U.S.A.

Analog-for-the-Digital Age, BodyCom, chipKIT, chipKIT logo, CodeGuard, dsPICDEM, dsPICDEM.net, ECAN, In-Circuit Serial Programming, ICSP, Inter-Chip Connectivity, KleerNet, KleerNet logo, MiWi, MPASM, MPF, MPLAB Certified logo, MPLIB, MPLINK, MultiTRAK, NetDetach, Omniscient Code Generation, PICDEM, PICDEM.net, PICkit, PICtail, RightTouch logo, REAL ICE, SQI, Serial Quad I/O, Total Endurance, TSHARC, USBCheck, VariSense, ViewSpan, WiperLock, Wireless DNA, and ZENA are trademarks of Microchip Technology Incorporated in the U.S.A. and other countries.

SQTP is a service mark of Microchip Technology Incorporated in the U.S.A.

Silicon Storage Technology is a registered trademark of Microchip Technology Inc. in other countries.

GestIC is a registered trademarks of Microchip Technology Germany II GmbH & Co. KG, a subsidiary of Microchip Technology Inc., in other countries.

All other trademarks mentioned herein are property of their respective companies.

© 2014, Microchip Technology Incorporated, Printed in the U.S.A., All Rights Reserved.

ISBN: 978-1-63276-588-8

**QUALITY MANAGEMENT SYSTEM
CERTIFIED BY DNV
= ISO/TS 16949 =**

Microchip received ISO/TS-16949:2009 certification for its worldwide headquarters, design and wafer fabrication facilities in Chandler and Tempe, Arizona; Gresham, Oregon and design centers in California and India. The Company's quality system processes and procedures are for its PIC[®] MCUs and dsPIC[®] DSCs, KEELOQ[®] code hopping devices, Serial EEPROMs, microperipherals, nonvolatile memory and analog products. In addition, Microchip's quality system for the design and manufacture of development systems is ISO 9001:2000 certified.

Object of Declaration: DM320018, PIC32 Bluetooth® Starter Kit

EU Declaration of Conformity

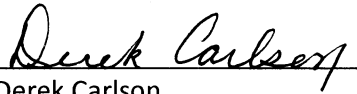
This declaration of conformity is issued by the manufacturer.

The development/evaluation tool is designed to be used for research and development in a laboratory environment. This development/evaluation tool is not a Finished Appliance, nor is it intended for incorporation into Finished Appliances that are made commercially available as single functional units to end users under EU EMC Directive 2004/108/EC and as supported by the European Commission's Guide for the EMC Directive 2004/108/EC (8th February 2010).

This development/evaluation tool complies with EU RoHS2 Directive 2011/65/EU.

For information regarding the exclusive, limited warranties applicable to Microchip products, please see Microchip's standard terms and conditions of sale, which are printed on our sales documentation and available at www.microchip.com.

Signed for and on behalf of Microchip Technology Inc. at Chandler, Arizona, USA



Derek Carlson
VP Development Tools

16-July-2013
Date

PIC32 Bluetooth[®] Starter Kit User's Guide

NOTES:



PIC32 BLUETOOTH[®] STARTER KIT USER'S GUIDE

Table of Contents

Chapter 1. Introduction

1.1 Kit Contents	13
1.2 PIC32 Bluetooth Starter Kit Functionality and Features	14

Chapter 2. Hardware

2.1 Hardware features	17
-----------------------------	----

Appendix A. Layout and Schematics	19
--	-----------

Appendix B. Bill of Materials.....	29
---	-----------

PIC32 Bluetooth[®] Starter Kit User's Guide

NOTES:



PIC32 BLUETOOTH[®] STARTER KIT USER'S GUIDE

Preface

NOTICE TO CUSTOMERS

All documentation becomes dated, and this manual is no exception. Microchip tools and documentation are constantly evolving to meet customer needs, so some actual dialogs and/or tool descriptions may differ from those in this document. Please refer to our web site (www.microchip.com) to obtain the latest documentation available.

Documents are identified with a “DS” number. This number is located on the bottom of each page, in front of the page number. The numbering convention for the DS number is “DSXXXXXXXXA”, where “XXXXXXXX” is the document number and “A” is the revision level of the document.

For the most up-to-date information on development tools, see the MPLAB[®] IDE online help. Select the Help menu, and then Topics to open a list of available online help files.

INTRODUCTION

This chapter contains general information that will be useful to know before using the PIC32 Bluetooth Starter Kit. Items discussed in this chapter include:

- [Document Layout](#)
- [Conventions Used in this Guide](#)
- [Recommended Reading](#)
- [The Microchip Web Site](#)
- [Development Systems Customer Change Notification Service](#)
- [Customer Support](#)
- [Document Revision History](#)

DOCUMENT LAYOUT

This document describes how to use the PIC32 Bluetooth Starter Kit as a development tool to emulate and debug firmware on a target board. This document includes the following chapters:

- **Chapter 1. “Introduction”** provides a brief overview of the starter kit, highlighting its features and uses.
- **Chapter 2. “Hardware”** provides the hardware descriptions of the starter kit.
- **Appendix A. “Layout and Schematics”** provides a block diagram, wire list, and detailed schematics of the starter kit.
- **Appendix B. “Bill of Materials”** provides the bill of material descriptions and the reference, manufacturer, and part numbers for the components used in the starter kit hardware.

CONVENTIONS USED IN THIS GUIDE

This manual uses the following documentation conventions:

DOCUMENTATION CONVENTIONS

Description	Represents	Examples
Italic characters	Referenced books	<i>MPLAB IDE User's Guide</i>
	Emphasized text	...is the <i>only</i> compiler...
Initial caps	A window	the Output window
	A dialog	the Settings dialog
	A menu selection	select Enable Programmer
Quotes	A field name in a window or dialog	"Save project before build"
Underlined, italic text with right angle bracket	A menu path	<u><i>File > Save</i></u>
Bold characters	A dialog button	Click OK
	A tab	Click the Power tab
Text in angle brackets < >	A key on the keyboard	Press <Enter>, <F1>
Plain Courier New	Sample source code	<code>#define START</code>
	Filenames	<code>autoexec.bat</code>
	File paths	<code>c:\mcc18\h</code>
	Keywords	<code>_asm, _endasm, static</code>
	Command-line options	<code>-Opa+, -Opa-</code>
	Bit values	<code>0, 1</code>
	Constants	<code>0xFF, 'A'</code>
<i>Italic Courier New</i>	A variable argument	<i>file.o</i> , where <i>file</i> can be any valid filename
Square brackets []	Optional arguments	<code>mcc18 [options] file [options]</code>
Curly brackets and pipe character: { }	Choice of mutually exclusive arguments; an OR selection	<code>errorlevel {0 1}</code>
Ellipses...	Replaces repeated text	<code>var_name [, var_name...]</code>
	Represents code supplied by user	<code>void main (void) { ... }</code>
Notes	A Note presents information that we want to re-emphasize, either to help you avoid a common pitfall or to make you aware of operating differences between some device family members. A Note can be in a box, or when used in a table or figure, it is located at the bottom of the table or figure.	Note: This is a standard note box.
		<div style="border: 1px solid black; padding: 5px;"> <p style="text-align: center;">CAUTION</p> <p>This is a caution note.</p> </div> <p>Note 1: This is a note used in a table.</p>

RECOMMENDED READING

This document describes how to use the starter kit. The following Microchip documents are available and recommended as supplemental reference resources.

Bluetooth Audio Development Kit Readme Files

For the latest information on using the development kit and its related demonstrations, please consult the Readme file provided in the installation directory. The Readme file contains information on revision updates and known issues that may not be included in this reference guide.

PIC32MX1XX/2XX Family Data Sheet (DS60001168)

Consult this document for detailed information on PIC32 devices. Reference information found in this data sheet includes:

- Device memory maps
- Device pinout and packaging details
- Device electrical specifications
- List of peripherals included on the devices

Section 27. “USB On-The-Go” (DS61126)

This section of the *“PIC32 Family Reference Manual”* provides a detailed description and overview of the functionality of the USB OTG module.

Microchip Bluetooth® Stack for PIC32

This application note provides information on the Application Programming Interfaces for various profiles, protocols, and decoders available in the Bluetooth Stack for PIC32 devices.

Note: Please contact Microchip Marketing for information regarding this document.

MPLAB® XC32 C/C++ Compiler User’s Guide (DS50001686)

This document details the use of Microchip’s MPLAB XC32 C/C++ Compiler to develop an application.

MPLAB® X IDE User’s Guide (DS50002027)

Refer to this document for more information pertaining to the installation and implementation of the MPLAB X IDE software, as well as the MPLAB SIM Simulator software that is included with it.

PICkit™ 3 In-Circuit Debugger/Programmer User’s Guide (DS50002116)

This document describes how to use the PICkit 3 as a development tool to emulate and debug firmware on a target board, as well as how to program devices.

PICkit 3 In-Circuit Debugger/Programmer Online Help File

A comprehensive help file for the debugger is included with MPLAB X IDE. Usage, troubleshooting and hardware specifications are covered. This may be more up-to-date than the printed documentation. Also, limitations are listed for various devices.

THE MICROCHIP WEB SITE

Microchip provides online support via our web site at: <http://www.microchip.com>. This web site makes files and information easily available to customers. Accessible by most Internet browsers, the web site contains the following information:

- **Product Support** – Data sheets and errata, application notes and sample programs, design resources, user's guides and hardware support documents, latest software releases and archived software
- **General Technical Support** – Frequently Asked Questions (FAQs), technical support requests, online discussion groups, Microchip consultant program member listings
- **Business of Microchip** – Product selector and ordering guides, latest Microchip press releases, listings of seminars and events; and listings of Microchip sales offices, distributors and factory representatives

DEVELOPMENT SYSTEMS CUSTOMER CHANGE NOTIFICATION SERVICE

Microchip's customer notification service helps keep customers current on Microchip products. Subscribers will receive e-mail notification whenever there are changes, updates, revisions or errata related to a specified product family or development tool of interest.

To register, access the Microchip web site at www.microchip.com, click on Customer Change Notification and follow the registration instructions.

The Development Systems product group categories are:

- **Compilers** – The latest information on Microchip C compilers and other language tools
- **Emulators** – The latest information on the Microchip in-circuit emulator, MPLAB REAL ICE™
- **In-Circuit Debuggers** – The latest information on the Microchip in-circuit debugger, MPLAB ICD 3
- **MPLAB X IDE** – The latest information on Microchip MPLAB X IDE, the Windows® Integrated Development Environment for development systems tools
- **Programmings** – The latest information on Microchip programmers including the PICkit™ 3 development programmer

CUSTOMER SUPPORT

Users of Microchip products can receive assistance through several channels:

- Distributor or Representative
- Local Sales Office
- Field Application Engineer (FAE)
- Technical Support

Customers should contact their distributor, representative or field application engineer (FAE) for support. Local sales offices are also available to help customers. A listing of sales offices and locations is included in the back of this document.

Technical support is available through the web site at: <http://support.microchip.com>

DOCUMENT REVISION HISTORY

Revision A (July 2014)

This is the initial release of the PIC32 Bluetooth® Starter Kit User's Guide.

Revision B (September 2014)

This revision includes updates to the Bill of Materials (see [Table B-1](#)).

PIC32 Bluetooth[®] Starter Kit User's Guide

NOTES:



PIC32 BLUETOOTH[®] STARTER KIT USER'S GUIDE

Chapter 1. Introduction

Thank you for purchasing the Microchip Technology PIC32 Bluetooth[®] Starter Kit (P/N: DM320018). This starter kit provides a low-cost solution for developing Bluetooth Serial Port Profile (SPP) applications.

Note: The starter kit is preprogrammed with Bluetooth SPP full-duplex data transmission demonstration software and more demonstrations are planned in the near future. The demonstration applications are available for download with MPLAB[®] Harmony v0.80.02 or later. Please refer to the MPLAB Harmony documentation, which is available from <http://microchip.com/harmony/> for more information on these demonstrations. An Android application for handsets is also available in this version of MPLAB Harmony to support the SPP data demonstration.

1.1 KIT CONTENTS

The starter kit ships with demonstration code that enables SPP full-duplex data transmission with many connected Bluetooth-enabled smart devices. The starter kit supplies on-board circuitry for full debug and programming capabilities and includes an integrated Bluetooth HCI module. Optionally, the starter kit board may be coupled with an expansion daughter board through its expansion header interface.

The PIC32 Bluetooth Starter Kit contains the following items:

- PIC32 Bluetooth Starter Kit development board, which includes:
 - An integrated HCI-based Bluetooth radio
 - USB host and device connectors
 - High output multi-color LED
 - Accelerometer and temperature sensor.
- USB Type-A to B-mini cable for power and debug of the development board

Note: If you are missing any part of a kit, contact a Microchip sales office for assistance. A list of Microchip offices for sales and service is provided on the last page of this document.

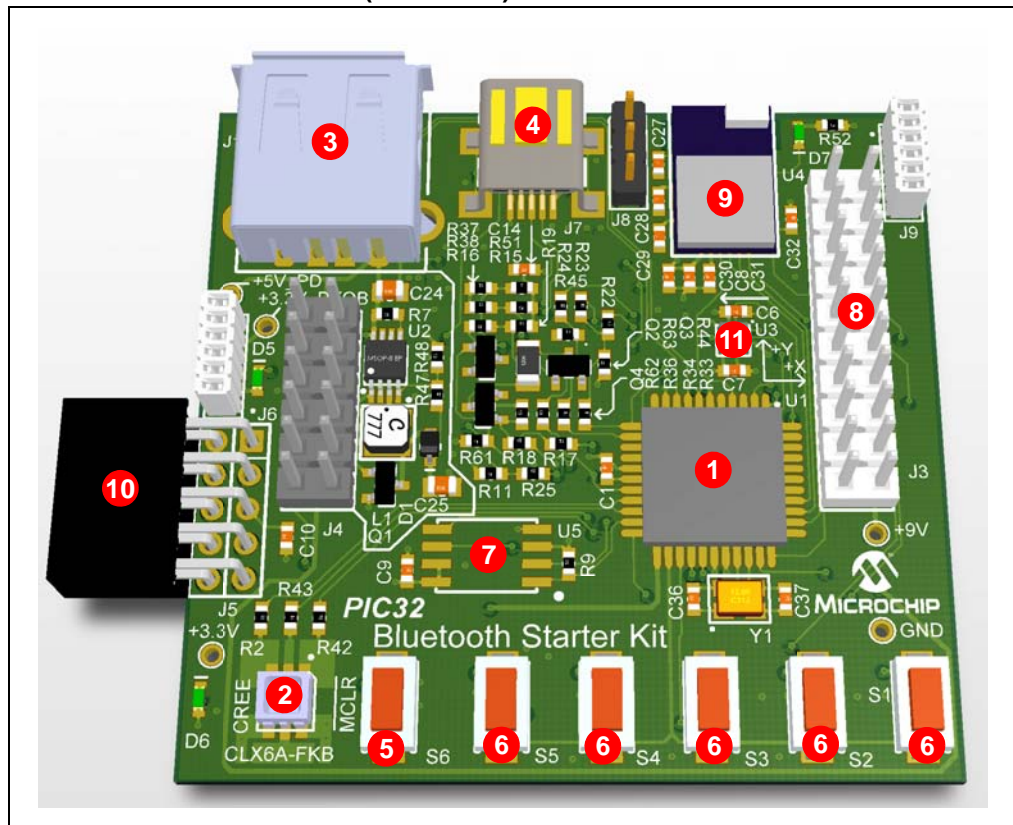
PIC32 Bluetooth® Starter Kit User's Guide

1.2 PIC32 BLUETOOTH STARTER KIT FUNCTIONALITY AND FEATURES

The top assembly of the development board in the PIC32 Bluetooth Starter Kit has the following key features, as indicated by the corresponding number in [Figure 1-1](#).

1. PIC32MX270F256D 32-bit microcontroller (U1).
2. CREE high output multi-color LED with PWM input.
3. USB Type-A connector to support USB host.
4. USB mini-B connector for on-board debugging support.
5. Device Reset push button.
6. Five user-definable push buttons (SW1-SW5).
7. SPI Serial EEPROM (2 Mb).
8. Daughter board expansion connector (DAC or codec support).
9. Integrated Certified HCI Class 1 Bluetooth radio module.
10. Authentication connector.
11. Integrated 3-axis accelerometer and temperature sensor.

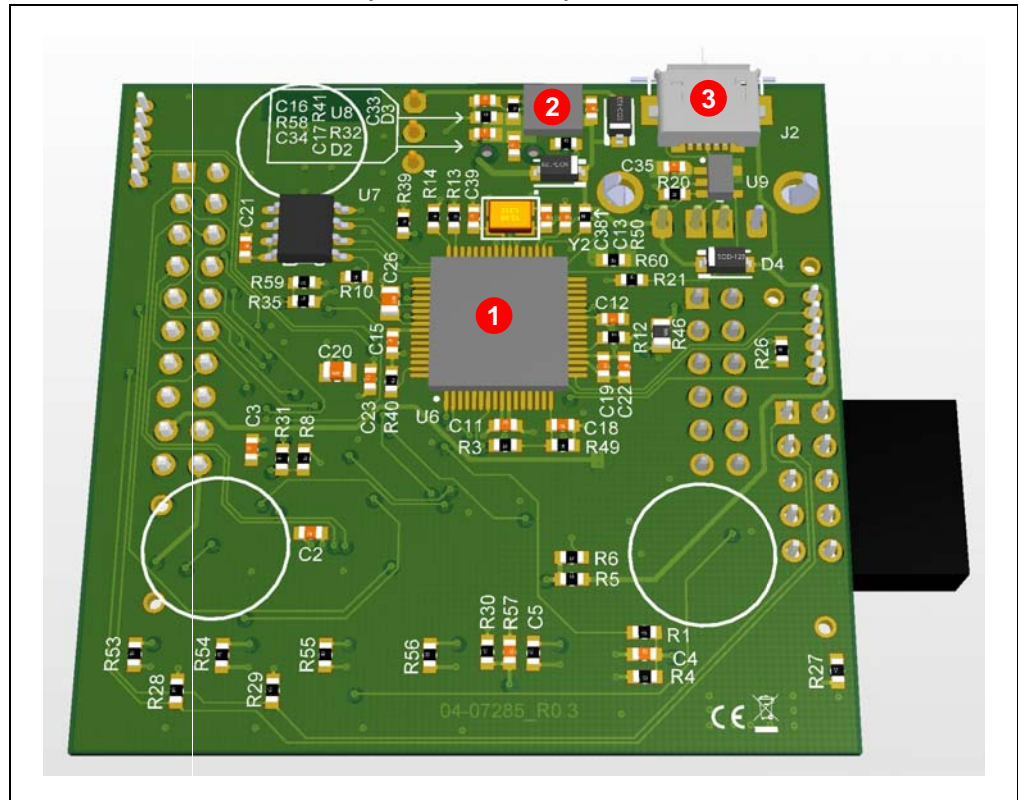
FIGURE 1-1: PIC32 BLUETOOTH® STARTER KIT DEVELOPMENT BOARD LAYOUT (TOP VIEW)



The bottom assembly of the development board in the starter kit has the following key features, as indicated by the corresponding number in [Figure 1-2](#).

1. PIC24FJ256GB106 USB microcontroller for on-board debugging.
2. USB micro-AB receptacle for USB Host or Device connectivity for PIC32 USB applications.
3. Regulated +3.3V power supply for powering the starter kit through USB or an expansion board.

FIGURE 1-2: PIC32 BLUETOOTH® STARTER KIT DEVELOPMENT BOARD LAYOUT (BOTTOM VIEW)



PIC32 Bluetooth[®] Starter Kit User's Guide

NOTES:

Chapter 2. Hardware

This chapter describes the hardware features of the PIC32 Bluetooth Starter Kit

2.1 HARDWARE FEATURES

The following key features of the starter kit are presented in the order provided in [1.2 “PIC32 Bluetooth Starter Kit Functionality and Features”](#). Refer to [Figure 1-1](#) and [Figure 1-2](#) for their locations on the development board.

2.1.1 Bluetooth Module

The FLC-BTM805 is a dual-mode Bluetooth HCI module that allows original equipment manufacturers to add Bluetooth wireless capability to their products. The module supports BT2.1 and later with an HCI interface, which makes it simple to design into fully certified embedded Bluetooth solutions. The module supports Bluetooth Enhanced Data Rate (EDR) and delivers up to a 3 Mbps data rate. In addition, the module supports Class 1 transmission and multiple device connection.

2.1.2 Processor Support

The development board in the starter kit is designed with a permanently mounted (i.e., soldered) PIC32MX270F256D microcontroller. Support for this microcontroller is available using the Microchip MPLAB[®] X IDE v2.10 and later, and with the MPLAB XC32 C/C++ Compiler v1.32 or later.

2.1.3 Powering the Starter Kit

Use one of the following methods to provide power to the starter kit:

- Connect USB bus power to the USB debug connector, J7
- Apply VBUS (+5V) power to the micro-B USB connector
- Connect an external application board with a regulated DC power supply that provides +5V to the J8 header (not populated)

2.1.4 USB Connectivity

2.1.4.1 HOST MODE

Connect the device to the Type-A connector, J1, which is located on the top of the starter kit development board.

2.1.4.2 DEVICE MODE

Connect the starter kit to the Host using a cable to port J2, which is located on the bottom of the starter kit development board.

2.1.4.3 DEBUGGING MODE

The starter kit includes a PIC24FJ256GB106 USB microcontroller that provides debugger connectivity over USB. The PIC24FJ256GB106 is hard-wired to the PIC32 device to provide protocol translation through the I/O pins of the PIC24FJ256GB106 to the ICSP[™] pins of the PIC32 device.

Connect the starter kit to port J7, which is located on the top side of the starter kit development board.

2.1.5 Switches

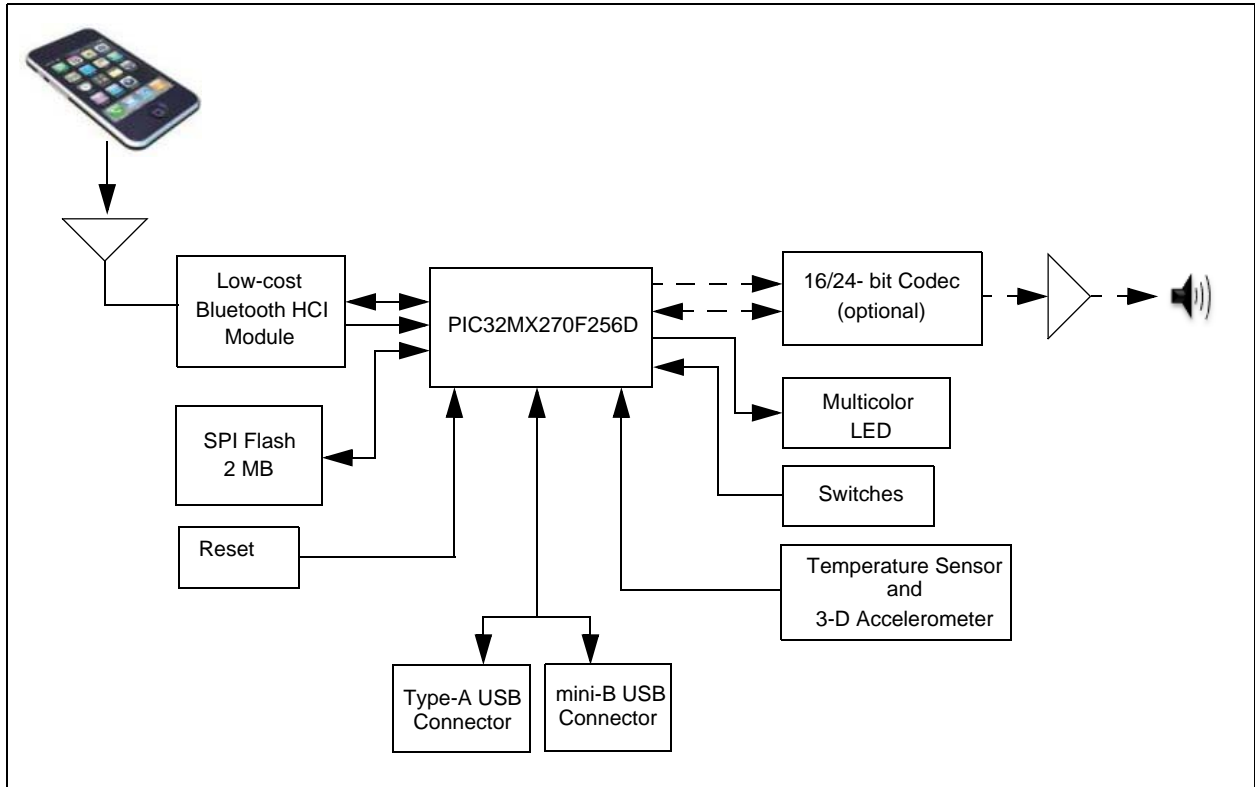
Switches, SW1-SW6, are available on the development board of the starter kit. SW6 is connected to the reset pin (RB5) of the board. When Idle, the switches are pulled high (+3.3V), and they are grounded when pressed.

2.1.6 Other Features

The starter kit is integrated with a temperature sensor, the Cree high output multi-color LED with PWM, a 3D- accelerometer, and an authentication connector. These features are used for application development purposes.

Appendix A. Layout and Schematics

FIGURE A-1: PIC32 BLUETOOTH STARTER KIT HIGH-LEVEL BLOCK DIAGRAM



PIC32 Bluetooth® Starter Kit User's Guide

TABLE A-1: PIC32 BLUETOOTH STARTER KIT WIRE LIST

PIC32MX270F256D Pin Number	PIC32MX270F256D Pin Name	Schematic Signal Name
1	RPB9/SDA1/CTED4/PMD3	GPIO_10/I2C1_SDA
2	RPC6/MA1/RC6	GPIO_1/UART1_Rx
3	RPC7/PMA0/RC7	GPIO_2/UART1_Tx
4	RPC8/PMA5/RC8	GPIO_18/UART2_RX
5	RPC9/TED7/PMA6/RC9	LED3#
6	Vss	GND SET
7	VCAP	3.3VDD
8	PGED2/RPB10/D+/CTED11/RB10	PIC32_D+
9	PGEC2/RPB11/D-/RB11	PIC32_D-
10	Vusb3v3	—
11	AN11/RPB13/CTPLS/PMRD/RB13	GPIO_27/SPI2_SDI
12	PGED/TMS/PMA10/RA10	PGED2/PGED4
13	PGEC	PGEC2/PGEC4
14	CVREFOUT/AN10/C3INB/RPB14/VBUSON/SCK1/TED5/RB14	GPIO_6/I2S1_BCLK
15	AN9/C3INA/RPB15/SCK2/TED6/PMCS1/RB15	GPIO_22/I2S2_BCLK
16	Vss	AVSS
17	VDD	AVDD
18	MCLR	PIC32_MCLR#
19	PGED3/VREF+/CVREF+/AN0/C3INC/RPA0/CTED1/PMD7/RA0	LED1#
20	PGEC3/VREF-/CVREF-/AN1/RPA1/CTED2/PMD6/RA1	LED2#
21	PGED1/AN2/C1IND/C2INB/C3IND/RPB0/PMD0/RB0	FLASH_CS#/SS2#
22	PGEC1/AN3/C1INC/C2INA/RPB1/CTED12/PMD1/RB1	GPIO_3/UART1_CTS
23	AN4/C1INB/C2IND/RPB2/SDA2/CTED13/PMD2/RB2	VBUS_SENSE
24	AN5/C1INA/C2INC/RTCC/RPB3/SCL2/PMWR/RB3	SW1#
24	AN5/C1NA/C2INC/RTCC/RPB3/SCL2/PMWR/RB3	SW2#, SW3, SW4, SW5
25	AN6/PC0/RC0	—
26	AN7/PC1/RC1	GPIO_5/I2S1_MCLK
27	AN8/PC2/PMA2/RC2	GPIO_4/UART1_RTS
28	Vss	--VSS
29	VDD	--VDD
30	OSC1/CLK1/RPA2/RA2	XTAL (8Mhz)
31	OSC2/CLK0/RPA3/RA3	XTAL (8Mhz)
32	TD0/RPA8/PMA8/RA8	GPIO_11/SPI1_SDI
33	SOSC1/RPB4/RB4	GPIO_8/I2S1_LRCL
34	SOSC0/RPA4/T1CK/CTED9/RA4	GPIO_25/I2S2_SDO
35	TD1/RPA9/PMA9/RA9	GPIO_9/I2S1_SDO
36	AN12/PC3/RC3	GPIO_20/UART2_CTS
37	PC4/PMA4/RC4	GPIO_19/UART2_TX
38	PC5/PMA3/RC5	—
39	Vss	-VSS
40	VDD	-VDD
41	RPB5/USBID/RB5	GPIO_12 / STBY / RST
42	VBUS	VBUS
43	RPB7/CTED3/PMD5/INT0/RB7	GPIO_21/UART2_RTS
44	RPB8/SCL1/CTED10/PMD4/RB8	GPIO_7/I2C1_SCL

FIGURE A-2: BOOST CONTROLLER

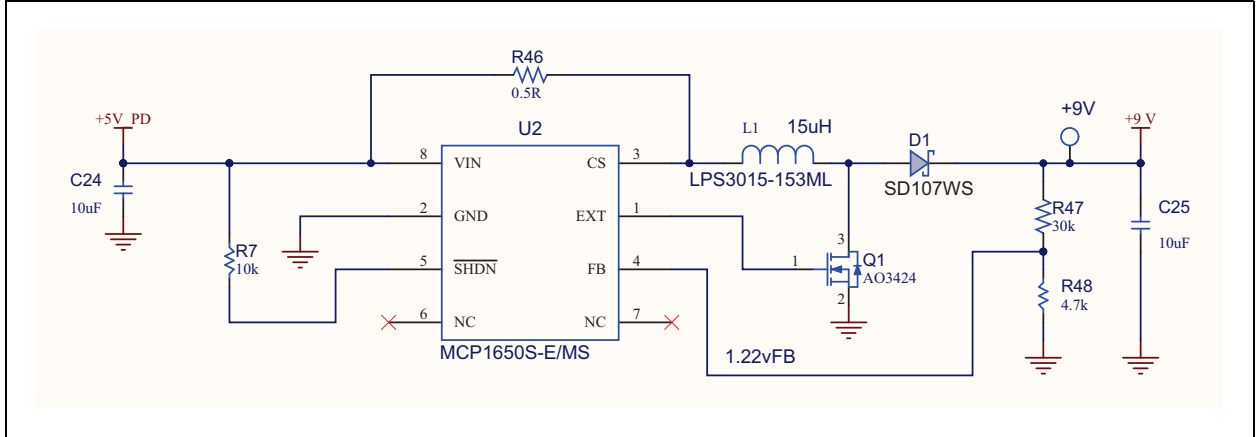
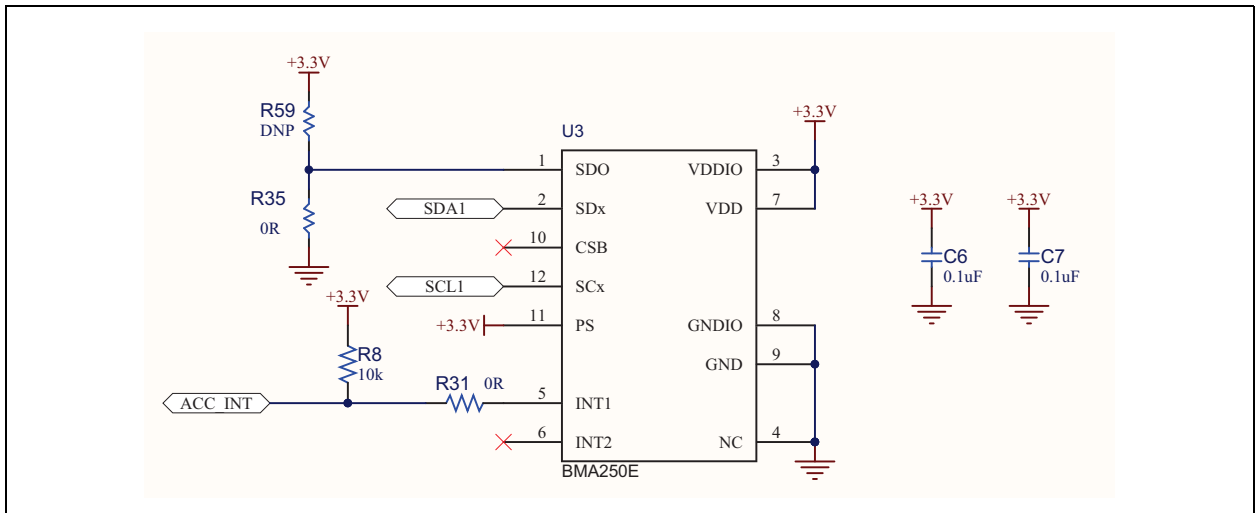


FIGURE A-3: 3-AXIS ACCELEROMETER



PIC32 Bluetooth[®] Starter Kit User's Guide

FIGURE A-4: BLUETOOTH HCI MODULE

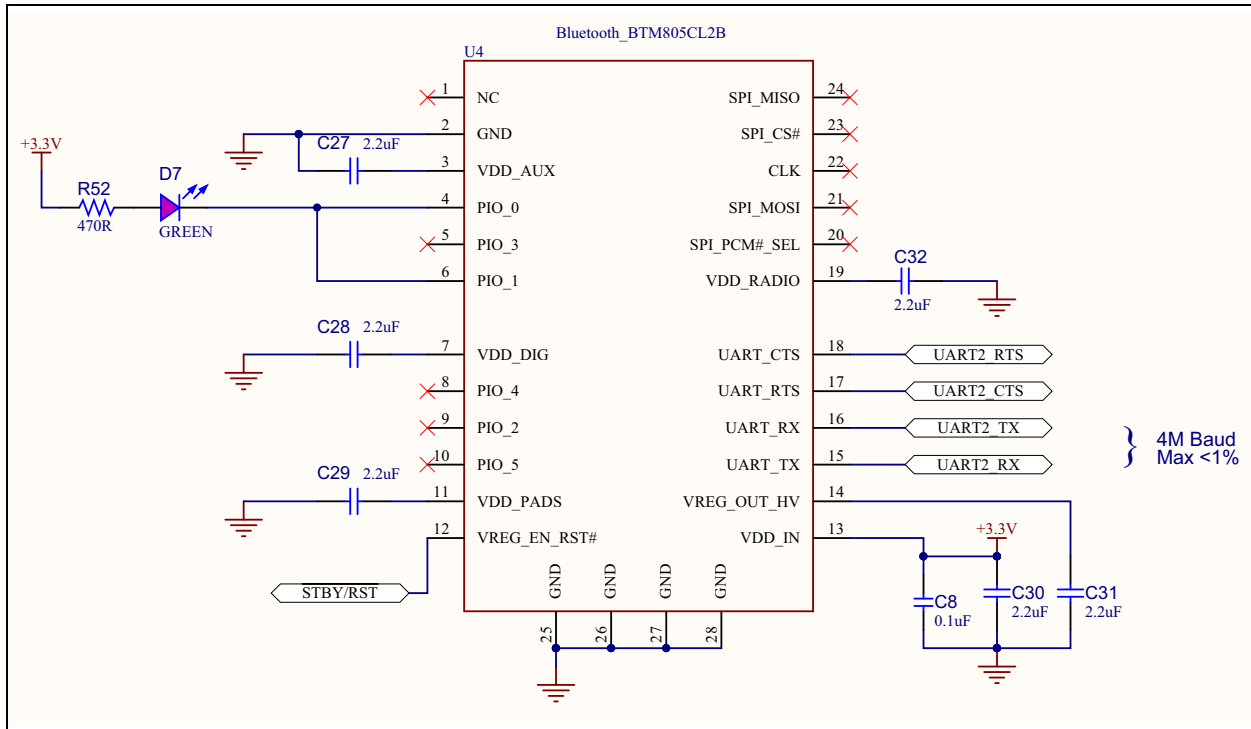


FIGURE A-5: SERIAL FLASH

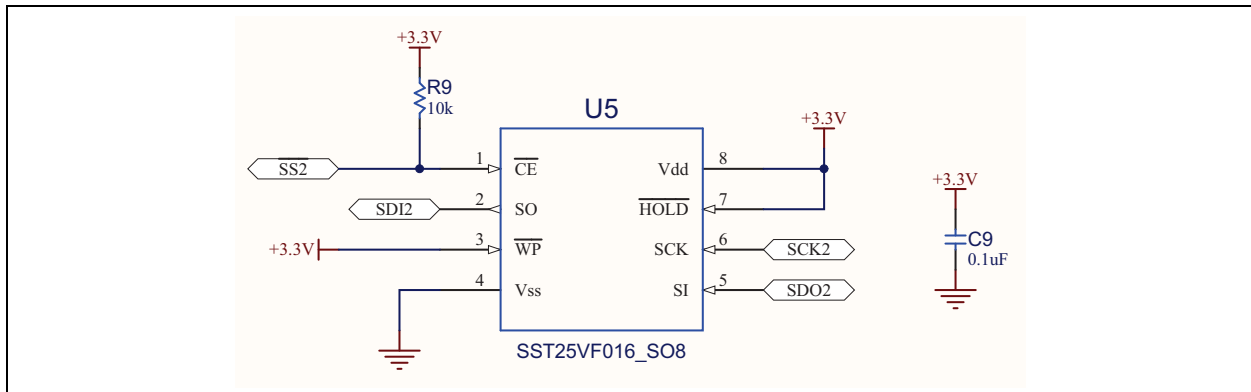


FIGURE A-6: DAUGHTER BOARD CONNECTOR

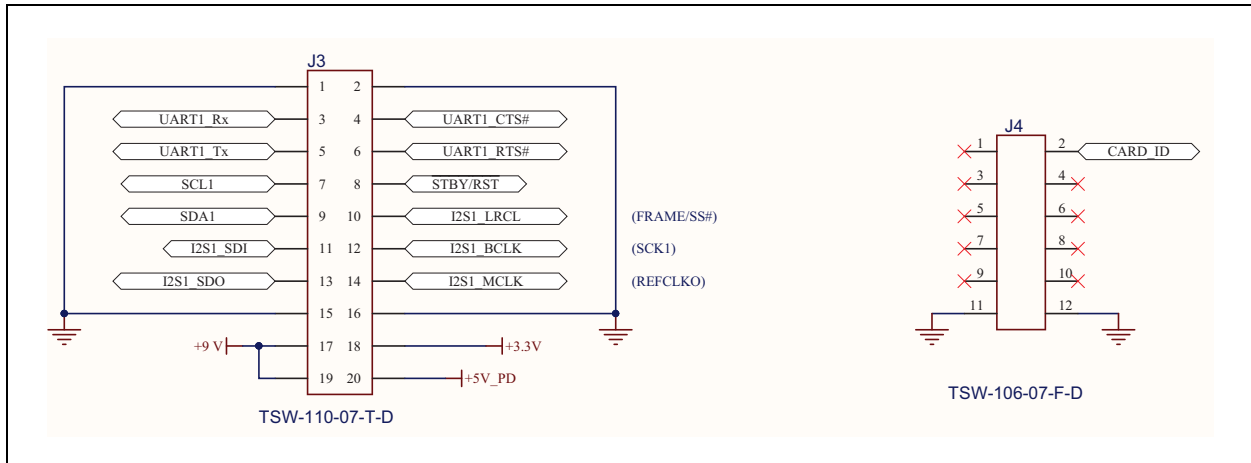


FIGURE A-7: AUTHENTICATION CONNECTOR

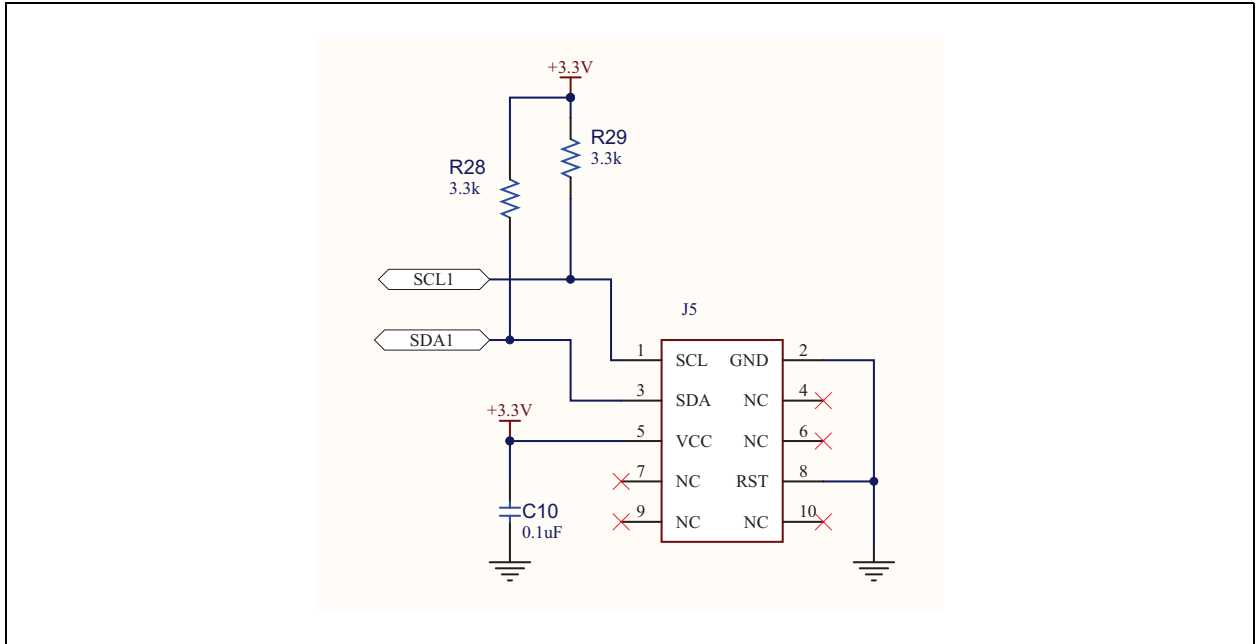


FIGURE A-8: POWER DISTRIBUTION (SHEET 1 OF 2)

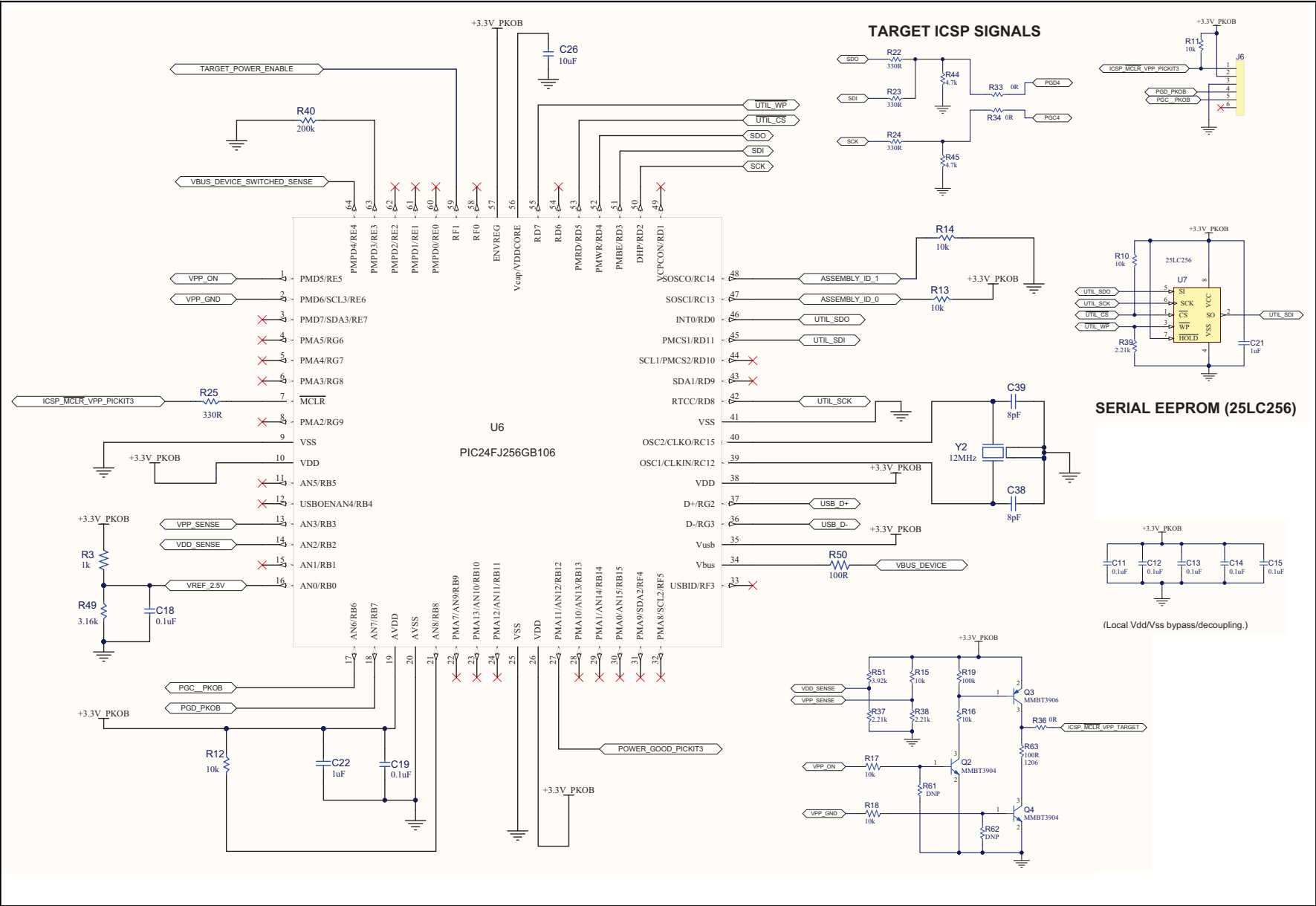


FIGURE A-9: POWER DISTRIBUTION (SHEET 1 OF 2)

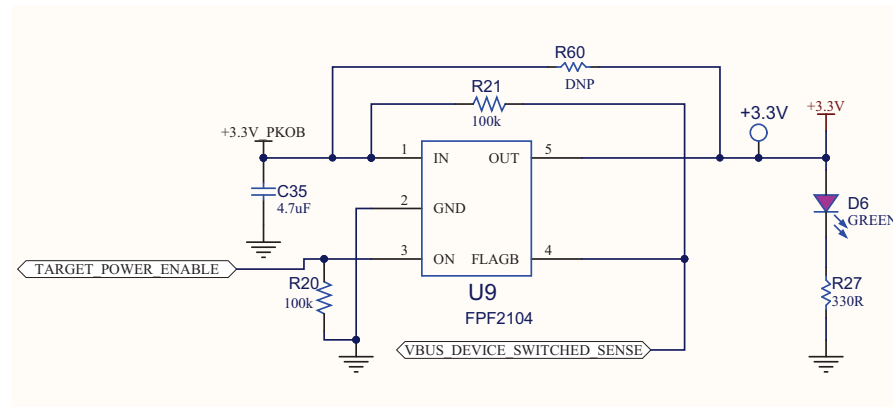
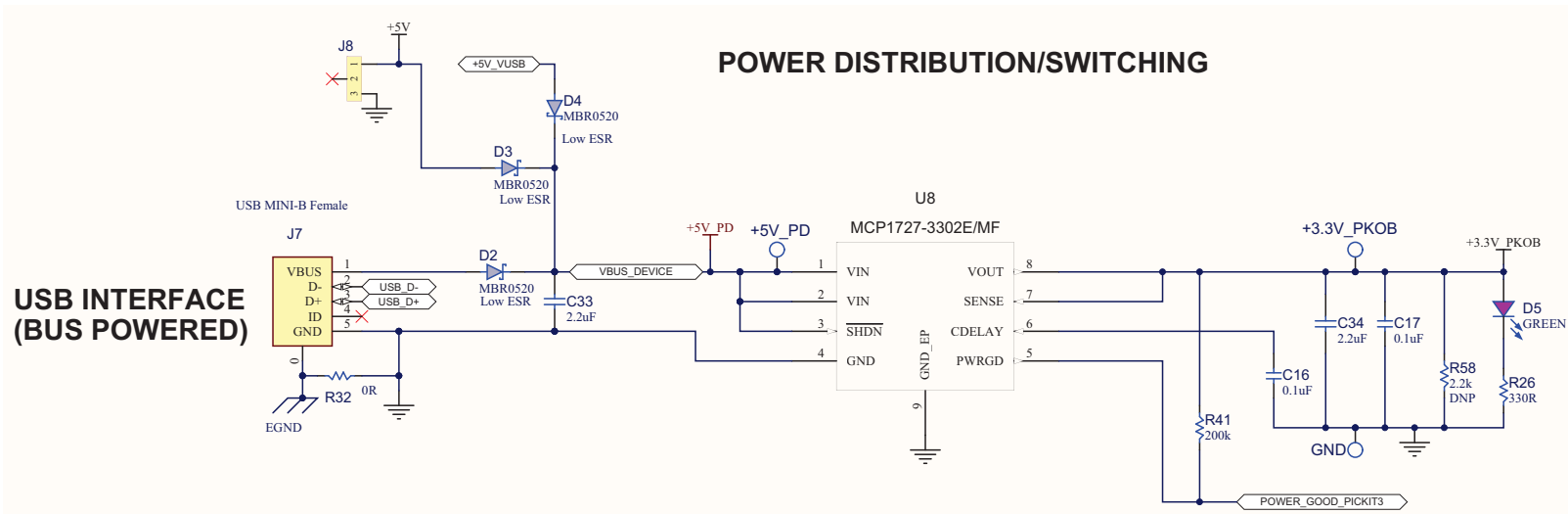


FIGURE A-10: USER SWITCHES AND LEDs

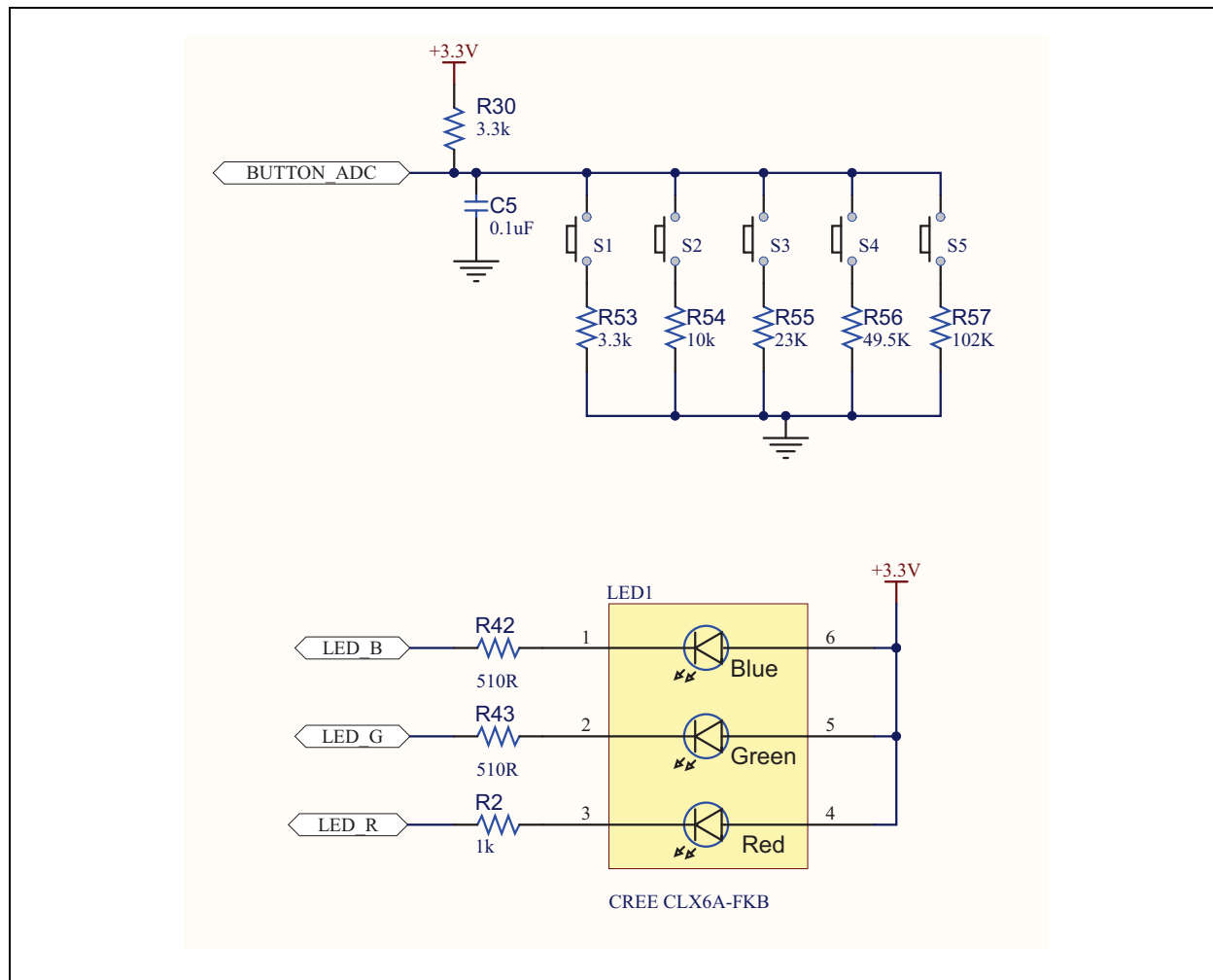
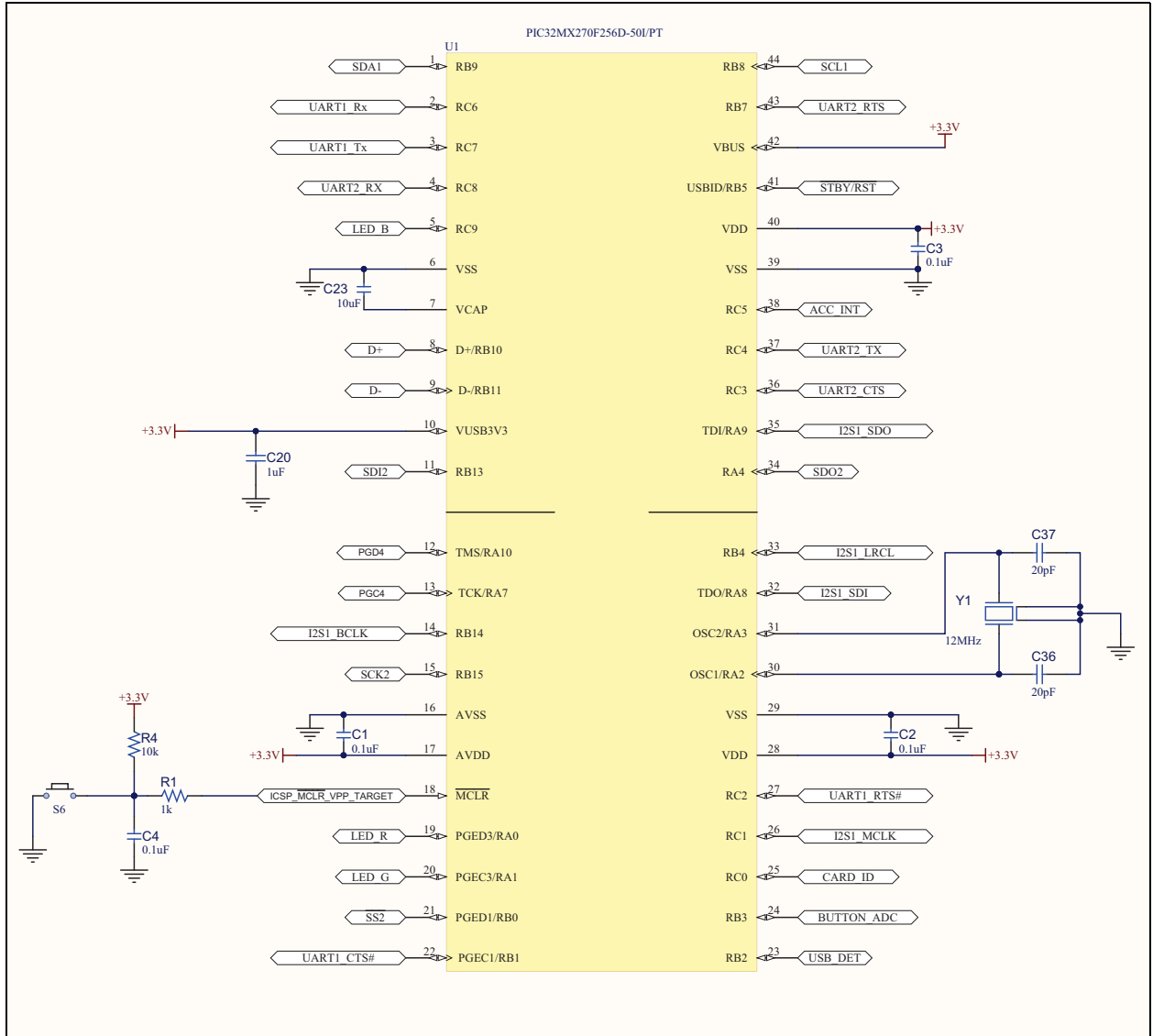
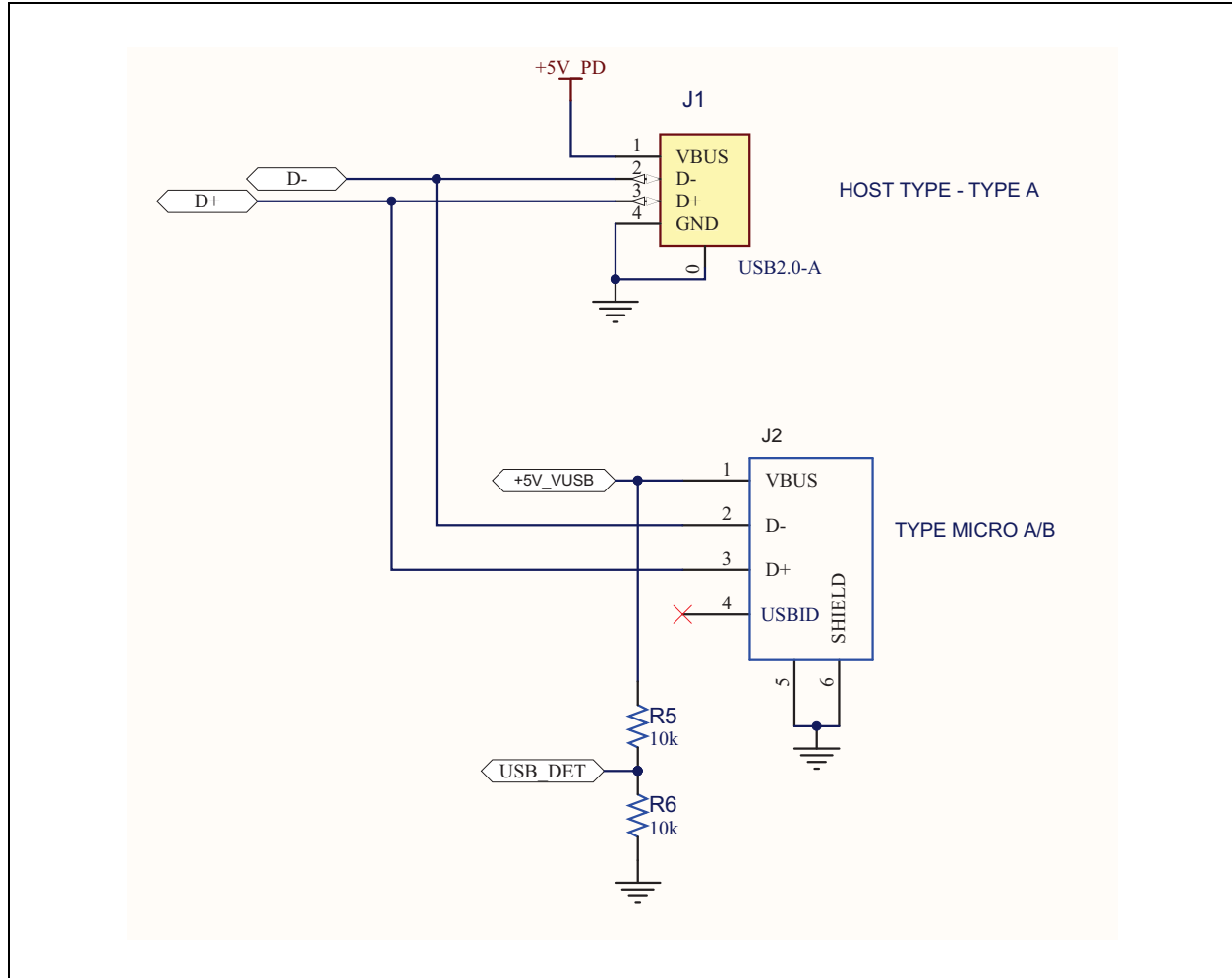


FIGURE A-11: PIC32MX270F245D MICROCONTROLLER



PIC32 Bluetooth[®] Starter Kit User's Guide

FIGURE A-12: USB CONNECTORS





PIC32 BLUETOOTH[®] STARTER KIT USER'S GUIDE

Appendix B. Bill of Materials

TABLE B-1: PIC32 BLUETOOTH STARTER KIT BILL OF MATERIALS

Designator	Description	Manufacturer	Part Number
C1, C2, C3, C4, C5, C6, C7, C8, C9, C10, C11, C12, C13, C14, C15, C16, C17, C18, C19	CAP CER .10 μ F 50V X7R 0603	Panasonic	ECJ-1VB1C104K
C20, C21, C22	CAP CER 1 μ F 16V 10% X7R SMD 0603	Taiyo	EMK107B7105KA-T
C23, C24, C25, C26	CAP CER 10 μ F 16V 20% Y5V SMD 0805	Murata	GRM21BF51C106ZE15L
C27, C28, C29, C30, C31, C32, C33, C34	CAP CER 2.2 μ F 16V 10% X5R SMD 0603	TDK	C1608X5R1C225K
C35	CAP CER 4.7 μ F 10V 10% X5R SMD 0603	Taiyo	LMK107BJ475KA-T
C36, C37	CAP CER 20 pF 50V 5% C0G SMD 0603	Murata	GRM1885C1H200JA01D
C38, C39	CAP CER 8 pF 50V 0.5 pF C0G SMD 0603	TDK	C1608C0G1H080D
D1	DIODE SCHOTTKY 30V 100 mA SOD323	Diodes Inc.	SD107WS-7-F
D2, D3, D4	DIODE SCHOTTKY 20V 0.5A SOD123	Diodes Inc.	MBR0520L
D5, D6, D7	LED, SMD, GRN, 0603 package	Kingbright	APT1608SGC
J1	CON USB 2.0 STD-A Female TH R/A	FCI	87520-0010BLF
J2	CONN RCPT MICRO USB AB SMD R/A	Hirose Electric Co., Ltd.	ZX62-AB-5PA(11)
J3	CONN HEADER 20POS .100" DL TIN	Samtec	TSW-110-07-T-D
J4	Terminal Strip, 2 X 6, 0.100 sp, 0.025 sq. post	Samtec	TSW-106-07-F-D
J5	HDR_10POS DL .1" R/A TIN_APPLE_AUTH	Sullins	PPTC052LJBN-RC
J7	CONN RECEIPT MINI USB2.0 5POS	Hirose Electric Co., Ltd.	UX60-MB-5ST
L1	15 μ H +/-20%	Coilcraft	LPS3015-153ML
LED1	Cree CLX6A-FKB	Cree Inc.	CLX6A-FKB-CJNNRFJBB7A363
Q1	TRANS FET N-CH AO3424 30V 3.8A 1.4W SOT-23-3	Alpha & Omega	AO3424
Q2, Q4	TRANS BJT NPN MMBT3904 40V 200 mA 310 mW SOT-23-3	Diodes Inc.	MMBT3904-7-F
Q3	TRANS BJT PNP MMBT3906 -40V -200 mA 300 mW SOT-23-3	Diodes Inc.	MMBT3906-7-F
S1, S2, S3, S4, S5, S6	SWITCH TACTILE SPST-NO 0.05A 12V	C&K Component	PTS635SK25SMTR LFS
U3	3-AXIS ACCELEROMETER DIGITAL I/F	Bosch Sensortec	BMA250E
U4	Bluetooth HCI Radio Module	Flaircomm Microelectronics	BTM805CL2B
U9	IC SWITCH LOAD FULL FUNC SOT23-5	Fairchild	FPF2104
Y1, Y2	CRYSTAL 12 MHz 8 pF SMD NX3225SA	NDK	NX3225SA-12.000MHZ-STD-CSR-1
R1, R2, R3	RES TKF 1k 1% 1/10W SMD 0603	Panasonic	ERJ-3EKF1001V

Note: The hardware contains some components that enable modularity, testing, and integrated debugger circuits, which are not intended for volume production.

PIC32 Bluetooth® Starter Kit User's Guide

TABLE B-1: PIC32 BLUETOOTH STARTER KIT BILL OF MATERIALS (CONTINUED)

Designator	Description	Manufacturer	Part Number
R4, R5, R6, R7, R8, R9, R10, R11, R12, R13, R14, R15, R16, R17, R18, R54	RES TKF 10k 1% 1/10W SMD 0603	Stackpole	RMCF0603FT10K0
R19, R20, R21	RES TF 100k 1% 1/8W SMD 0603	Vishay	MCT06030C1003FP500
R22, R23, R24, R25, R26, R27	RES TKF 330R 1% 1/16W SMD 0603	Stackpole	RMCF0603FT330R
R28, R29, R30, R53	RES TKF 3.3k 1% 1/10W SMD 0603	Panasonic	ERJ-3EKF3301V
R31, R32, R33, R34, R35, R36	RES TKF 0R 1/10W SMD 0603	Rohm	MCR03EZPJ000
R37, R38, R39	RES TKF 2.21k 1% 1/10W SMD 0603	Panasonic	ERJ-3EKF2211V
R40, R41	RES TKF 200k 1% 1/10W SMD 0603	Panasonic	RMCF0603FT200K
R42, R43	RES TKF 510R 1% 1/10W SMD 0603	Yageo	9C06031A5100FKPFT
R44, R45, R48	RES TKF 4.7k 1% 1/10W SMD 0603	Rohm	MCR03EZPFX4701
R46	RES TKF 0.5R 1% 1/4W SMD 0805	Stackpole	CSR0805FKR500
R47	RES TKF 30k 1% 1/10W SMD 0603	Stackpole	RMCF0603FT30K0
R49	RES TKF 3.16k 1% 1/10W SMD 0603	Panasonic	ERJ-3EKF3161V
R50	RES TKF 100R 1% 1/10W SMD 0603	Rohm	MCR03EZPFX1000
R51	RES TKF 3.92k 1% 1/10W SMD 0603	Panasonic	ERJ-3EKF3921V
R52	RES TKF 470R 1% 1/10W SMD 0603	Yageo	RC0603FR-07470RL
R55	RES TKF 23.2k 1% 1/10W SMD 0603	Stackpole	RMCF0603FT23K2
R56	RES TKF 49.9k 1% 1/10W SMD 0603	Panasonic	ERJ-3EKF4992V
R57	RES TKF 102k 1% 1/10W SMD 0603	Stackpole	RMCF0603FT102K
R63	RES TKF 100R 1% 1/4W SMD 1206	Yageo	RC1206FR-07100RL
U1	32-bit Microcontroller, 44-Pin TQFP	Microchip	PIC32MX270F256D-50I/PT
U2	MCP1650-E/MS_BOOST	Microchip	MCP1650S-E/MS
U5	IC Flash 16 Mbit 50 MHz 8-pin SOIC	SST	SST25VF016B-50-4C-S2AF
U6	IC PIC MCU Flash 256K 64-pin TQFP	Microchip	PIC24FJ256GB106-I/PT
U7	EEPROM SPI	Microchip	25LC256T-I/SN
U8	IC REG LDO 1.5A 3.3V 8-pin DFN	Microchip	MCP1727-3302E/MF

Note: The hardware contains some components that enable modularity, testing, and integrated debugger circuits, which are not intended for volume production.

NOTES:



MICROCHIP

Worldwide Sales and Service

AMERICAS

Corporate Office
2355 West Chandler Blvd.
Chandler, AZ 85224-6199
Tel: 480-792-7200
Fax: 480-792-7277
Technical Support:
[http://www.microchip.com/
support](http://www.microchip.com/support)
Web Address:
www.microchip.com

Atlanta
Duluth, GA
Tel: 678-957-9614
Fax: 678-957-1455

Austin, TX
Tel: 512-257-3370

Boston
Westborough, MA
Tel: 774-760-0087
Fax: 774-760-0088

Chicago
Itasca, IL
Tel: 630-285-0071
Fax: 630-285-0075

Cleveland
Independence, OH
Tel: 216-447-0464
Fax: 216-447-0643

Dallas
Addison, TX
Tel: 972-818-7423
Fax: 972-818-2924

Detroit
Novi, MI
Tel: 248-848-4000

Houston, TX
Tel: 281-894-5983

Indianapolis
Noblesville, IN
Tel: 317-773-8323
Fax: 317-773-5453

Los Angeles
Mission Viejo, CA
Tel: 949-462-9523
Fax: 949-462-9608

New York, NY
Tel: 631-435-6000

San Jose, CA
Tel: 408-735-9110

Canada - Toronto
Tel: 905-673-0699
Fax: 905-673-6509

ASIA/PACIFIC

Asia Pacific Office
Suites 3707-14, 37th Floor
Tower 6, The Gateway
Harbour City, Kowloon
Hong Kong
Tel: 852-2943-5100
Fax: 852-2401-3431

Australia - Sydney
Tel: 61-2-9868-6733
Fax: 61-2-9868-6755

China - Beijing
Tel: 86-10-8569-7000
Fax: 86-10-8528-2104

China - Chengdu
Tel: 86-28-8665-5511
Fax: 86-28-8665-7889

China - Chongqing
Tel: 86-23-8980-9588
Fax: 86-23-8980-9500

China - Hangzhou
Tel: 86-571-8792-8115
Fax: 86-571-8792-8116

China - Hong Kong SAR
Tel: 852-2943-5100
Fax: 852-2401-3431

China - Nanjing
Tel: 86-25-8473-2460
Fax: 86-25-8473-2470

China - Qingdao
Tel: 86-532-8502-7355
Fax: 86-532-8502-7205

China - Shanghai
Tel: 86-21-5407-5533
Fax: 86-21-5407-5066

China - Shenyang
Tel: 86-24-2334-2829
Fax: 86-24-2334-2393

China - Shenzhen
Tel: 86-755-8864-2200
Fax: 86-755-8203-1760

China - Wuhan
Tel: 86-27-5980-5300
Fax: 86-27-5980-5118

China - Xian
Tel: 86-29-8833-7252
Fax: 86-29-8833-7256

China - Xiamen
Tel: 86-592-2388138
Fax: 86-592-2388130

China - Zhuhai
Tel: 86-756-3210040
Fax: 86-756-3210049

ASIA/PACIFIC

India - Bangalore
Tel: 91-80-3090-4444
Fax: 91-80-3090-4123

India - New Delhi
Tel: 91-11-4160-8631
Fax: 91-11-4160-8632

India - Pune
Tel: 91-20-3019-1500

Japan - Osaka
Tel: 81-6-6152-7160
Fax: 81-6-6152-9310

Japan - Tokyo
Tel: 81-3-6880-3770
Fax: 81-3-6880-3771

Korea - Daegu
Tel: 82-53-744-4301
Fax: 82-53-744-4302

Korea - Seoul
Tel: 82-2-554-7200
Fax: 82-2-558-5932 or
82-2-558-5934

Malaysia - Kuala Lumpur
Tel: 60-3-6201-9857
Fax: 60-3-6201-9859

Malaysia - Penang
Tel: 60-4-227-8870
Fax: 60-4-227-4068

Philippines - Manila
Tel: 63-2-634-9065
Fax: 63-2-634-9069

Singapore
Tel: 65-6334-8870
Fax: 65-6334-8850

Taiwan - Hsin Chu
Tel: 886-3-5778-366
Fax: 886-3-5770-955

Taiwan - Kaohsiung
Tel: 886-7-213-7830

Taiwan - Taipei
Tel: 886-2-2508-8600
Fax: 886-2-2508-0102

Thailand - Bangkok
Tel: 66-2-694-1351
Fax: 66-2-694-1350

EUROPE

Austria - Wels
Tel: 43-7242-2244-39
Fax: 43-7242-2244-393

Denmark - Copenhagen
Tel: 45-4450-2828
Fax: 45-4485-2829

France - Paris
Tel: 33-1-69-53-63-20
Fax: 33-1-69-30-90-79

Germany - Dusseldorf
Tel: 49-2129-3766400

Germany - Munich
Tel: 49-89-627-144-0
Fax: 49-89-627-144-44

Germany - Pforzheim
Tel: 49-7231-424750

Italy - Milan
Tel: 39-0331-742611
Fax: 39-0331-466781

Italy - Venice
Tel: 39-049-7625286

Netherlands - Druenen
Tel: 31-416-690399
Fax: 31-416-690340

Poland - Warsaw
Tel: 48-22-3325737

Spain - Madrid
Tel: 34-91-708-08-90
Fax: 34-91-708-08-91

Sweden - Stockholm
Tel: 46-8-5090-4654

UK - Wokingham
Tel: 44-118-921-5800
Fax: 44-118-921-5820

03/25/14