

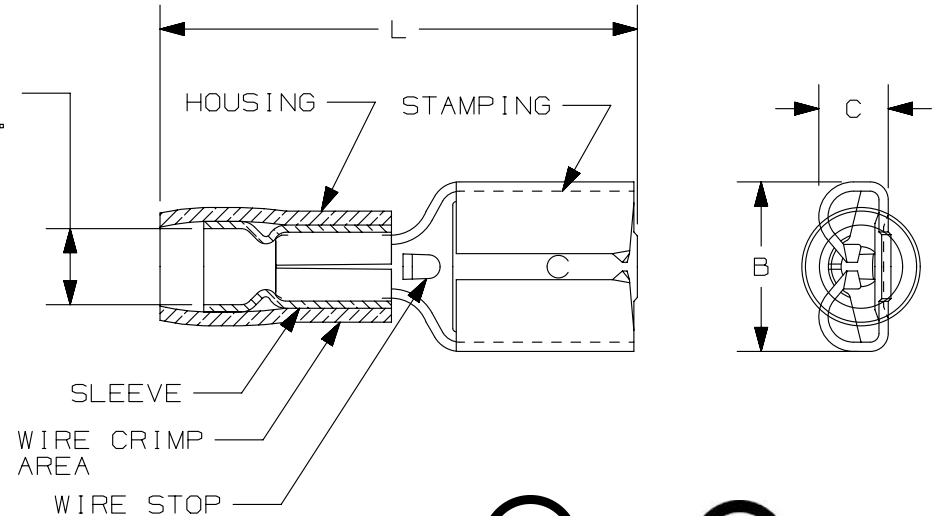
THIS COPY IS PROVIDED ON A RESTRICTED BASIS AND IS NOT TO BE USED IN ANY WAY DETRIMENTAL TO THE INTERESTS OF PANDUIT CORP.

PANDUIT PART #	TAB SIZE in. [mm]	WIRE RANGE AWG [mm ²]	COLOR	DIMENSIONS in. [mm]				
				MAX. INSUL.	MIN. INSUL.	L ± .03 [0,8]	B ± .01 [0,3]	C ± .004 [0,1]
DNF18-250	.250 X .032 [6,4 X 0,8]	#22-18 [0,5-1,0]	RED	.14 [3,6]	.04 [1,0]	.81 [20,6]	.29 [7,4]	.12 [3,1]
DNF14-250		#16-14 [1,5-2,5]	BLUE	.16 [4,1]	.05 [1,3]	.83 [21,1]	.29 [7,4]	.12 [3,1]

NOTES:

- USED FOR:
 - STRANDED COPPER WIRE ONLY
 - 194°F [90°C] MAX. OPERATING TEMPERATURE
 - 300 V. MAX VOLTAGE RATING
 - 6-12 LBS INITIAL INSERTION/WITHDRAWL FORCE
- INSTALLATION TOOLS:
 - UL LISTED AND CSA CERTIFIED: CT-1550, CT-1551 CT-600A (CT-570CH), CT-2500 (CT-2570CH)
 - PANDUIT APPROVED: CT-100A, CT-160, CT-260, CT-1550, CT-1551
- WIRE STRIP LENGTH: 9/32" ^{+1/32}/₀ [7,1^{±0,3}]
- MATERIAL:
 - STAMPING: BRASS, TIN PLATED
 - HOUSING: NYLON
 - SLEEVE: BRASS, TIN PLATED
- SEE www.panduit.com FOR PACKAGE QUANTITIES INDICATED BY PART NUMBER SUFFIX
- DIMENSIONS IN BRACKETS ARE METRIC EQUIVALENT

MAX. OR MIN. WIRE INSUL. DIA.



LISTED
20H3
E78522



CERTIFIED
LR31212

TITLE		FEMALE DISCONNECTS, NYLON INSULATED, FUNNEL		
ITEM REVISION NAME		CUSTOMER DRAWING		
DATASET FILE NAME		N41200BA/08		
DATASET FILE NAME		N41200BA_DC/08A		
UNLESS OTHERWISE SPECIFIED, DIMENSIONAL TOLERANCES ARE: IN [mm]		.x ± .1 [2.54] .xxx ± .005 [.13] .xx ± .01 [.25] ANGLES ± 5°		
DRAWING NUMBER:		A41200		
THIRD ANGLE PROJECTION				
DRAWN BY	DATE	CHK	SCALE	SIZE
FES	-	LA	N.T.S.	A

REV	DATE	BY	CHK	APR	DESCRIPTION	ECN
08	10.02.12	JBN	LCA	VMB	ADDED METRIC EQUIVALENT. REVISED NOTES. UPDATED TO CURRENT STANDARDS.	A41200

D10100DA/12