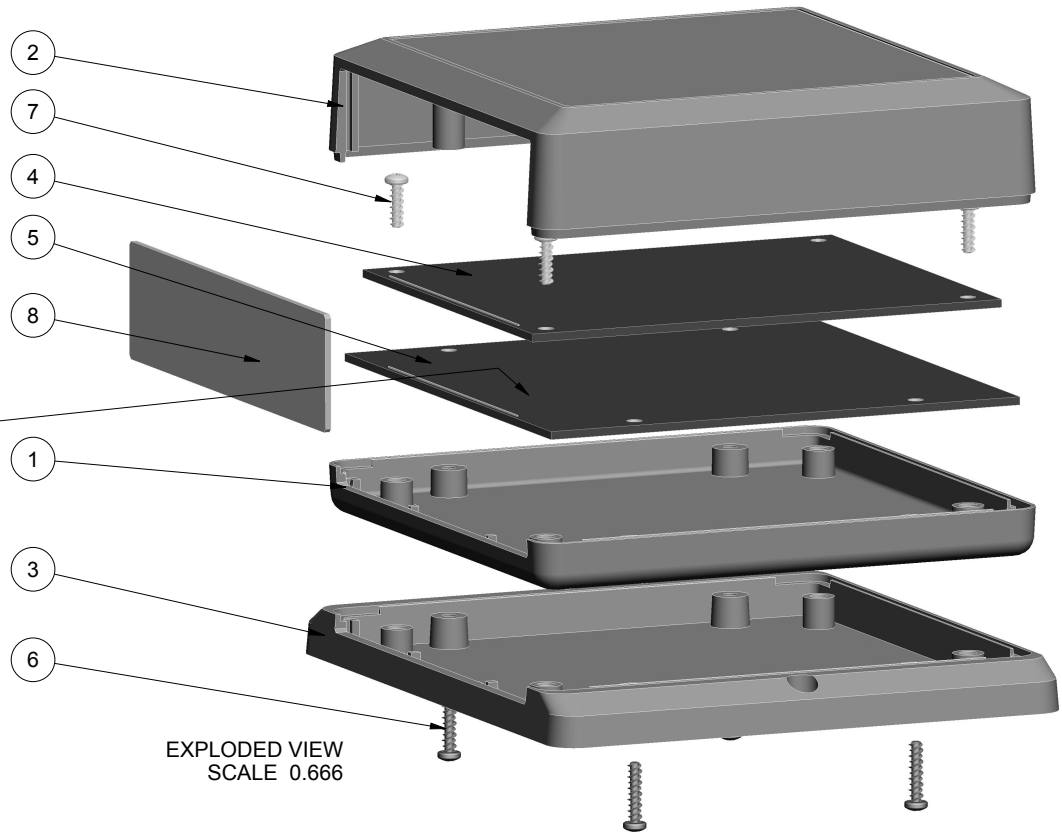


NOTES: UNLESS OTHERWISE SPECIFIED

1. CORNERS DRAWN SHARP TO BE R.005 MAXIMUM.
2. EXTERIOR SURFACE TEXTURE TO BE LIGHT EDM FINISH. EQUIVELANT TO MT-11020.
3. INTERIOR SURFACE TEXTURE TO BE: NONE.
4. ALL INSIDE RADII .010R. ALL OUTSIDE RADII .020R MAX, UNLESS OTHERWISE SPECIFIED.
5. ALL EXTERNAL DIMENSIONS AFFECTED BY THE DRAFT APPLY AT THE LARGE END OF THE FEATURE, AND ALL INTERNAL FEATURES AFFECTED BY THE DRAFT APPLY AT THE SMALL END OF THE FEATURE UNLESS OTHERWISE SPECIFIED.
6. 1 DEGREE DRAFT IN THE DIRECTION OF PULL IS PERMISSIBLE UNLESS OTHERWISE SPECIFIED.
7. ASSEMBLY SCREWS FOR THE ENCLOSURE INCLUDED. MOUNTING SCREWS FOR THE PCB ARE SOLD SEPERATELY.
8. MATERIAL / COLOR: ABS PLASTIC IS STANDARD IN BLACK OR WHITE. CUSTOM MATERIALS AND COLORS ARE AVAILABLE UPON REQUEST FOR QUOTE.
9. PCB SIZES ARE RECOMMENDATIONS ONLY. FINAL SIZES AND VERIFICATION OF IT'S FIT ARE THE SOLE RESPONSIBILITY OF OEM.
10. STANDARD OR CUSTOM LABEL RECESSES ARE AVAILABLE UPON REQUEST FOR QUOTE.

434313 ENCLOSURE SHOWN WITH 2 PCB SIZE OPTIONS. THIS ENCLOSURE DOES NOT SUPPORT TWO PCB BOARDS AT ONCE.

R E V I S I O N					
REV.	DRAWN BY	ECO No	DESCRIPTION	DATE	APPROVED
A-J	M BOYER		DEVELOPMENT	2009-Aug-24	D.C.
1.0	M BOYER	N/A	UPDATE TO AS-BUILT AND RELEASE	2010-Mar-29	D.C.
1.1	M BOYER	04515	REVISE ASSEMBLY SCREW LENGTH	2015-Sep-14	



S434313(x) CONFIGURATIONS					
	-S	-SW	-F	-FW	-FP
S434313 COVER	1	1			
S434313 COVER w/ OPENING			1	1	
S434313 BASE	1				
S434313 BASE w/ OPENING			1		
S434313 WALL BASE		1			
S434313 WALL BASE w/ OPENING				1	
#4 HiLo SCREW .500"	4	4	4	4	
S434313 FACEPLATE					1

8	434313_FACEPLATE	434313 FACEPLATE - STANDARD	6061 ALUMINUM	SOLD SEPERATELY	1
7	NO_4_375_SCREW	No4 HiLo x .375" - PCB	#4 HiLo x 3/8"	SOLD SEPERATELY	4
6	NO_4_500_SCREW	No4 HiLo x .500" - ASSEMBLY	#4 HiLo x 1/2"	INCLUDED	4
5	434313_PCB-4X4	434313 PCB - REFERENCE	.062" THICK	CUSTOMER SUPPLIED	1
4	434313_PCB-4X3	434313 PCB - REFERENCE	.062" THICK	CUSTOMER SUPPLIED	1
3	434313_WALL-BASE	434313 WALL - STANDARD	ABS	BLACK or WHITE	1
2	434313_COVER	434313 COVER - STANDARD	ABS	BLACK or WHITE	1
1	434313_BASE	434313 BASE - STANDARD	ABS	BLACK or WHITE	1
ITEM	FILE NAME	DESCRIPTION	MATERIAL	COLOR	QTY.

BILL OF MATERIALS

THIRD ANGLE PROJECTION



DO NOT SCALE DRAWING

TOLERANCES: UNLESS OTHERWISE SPECIFIED DIMENSIONS ARE IN U.S. INCHES.

X.XX = .015 X.XXXX = .001
X.XXX = .010 X.X" = 1"

NEW AGE ENCLOSURES

Customer's Part No: 434313

APPROVAL BY DATE

CHECK

ENG.

SCALE

DRAWN BY M BOYER 2009-Aug-24

NEW AGE ENCLOSURES

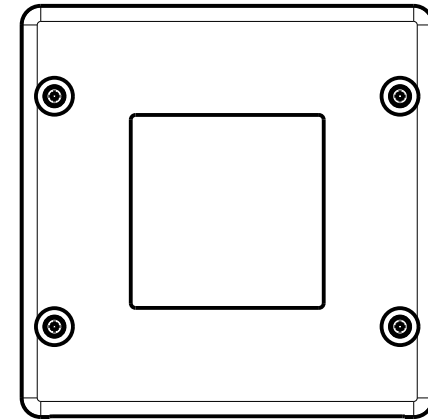
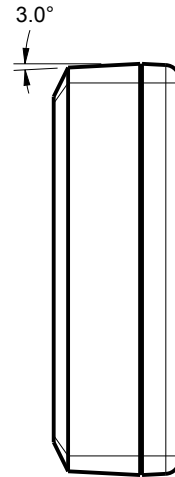
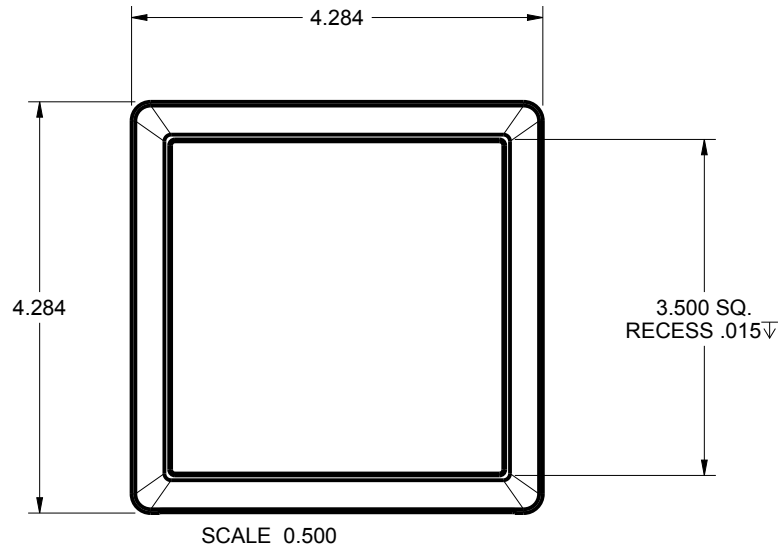
4330 Santa Fe Road San Luis Obispo, CA. 93401
ph. (805) 595-1310 fax (805) 595-1024

www.newageenclosures.com

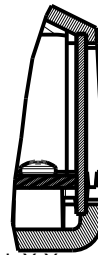
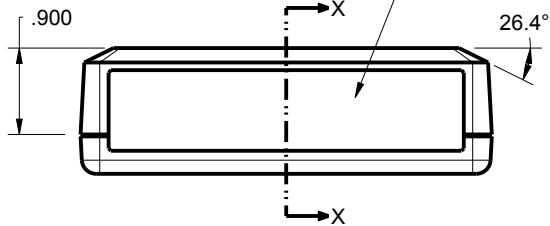
STANDARD - SQUARE UTIL.
SXX-434313X-XXX

DRAWING NAME A 434313X_R1_1

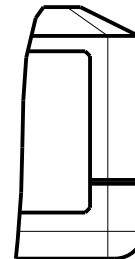
SHEET 1 OF 8 REV.DOC 1.1



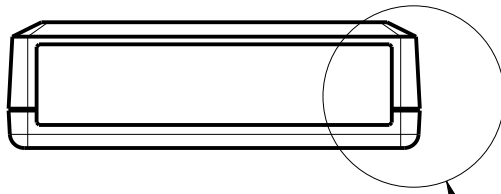
THIS ENCLOSURE CAN BE MOLDED WITH OR WITHOUT THE FACEPLATE OPENING. ASK YOUR SALES REP FOR DETAILS.



SECTION X-X
SCALE 1.000



DETAIL A
SCALE 1.000



SEE DETAIL A

TOLERANCES: UNLESS OTHERWISE SPECIFIED
DIMENSIONS ARE IN U.S. INCHES.
X.XX = .015 X.XXXX = .001
X.XXX = .010 X.X° = 1°

NEW AGE ENCLOSURES

Customer's Part No: 434313

APPROVAL BY DATE

CHECK

ENG.

SCALE

DRAWN BY M BOYER 2009-Aug-24

NEW AGE ENCLOSURES

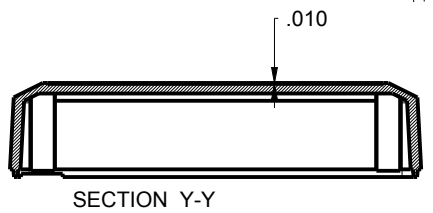
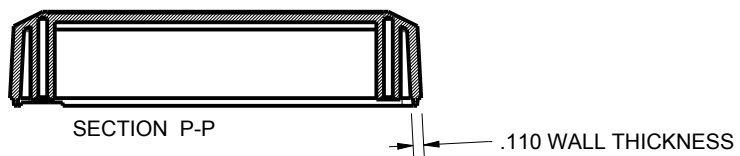
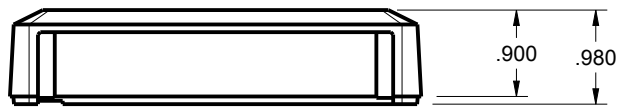
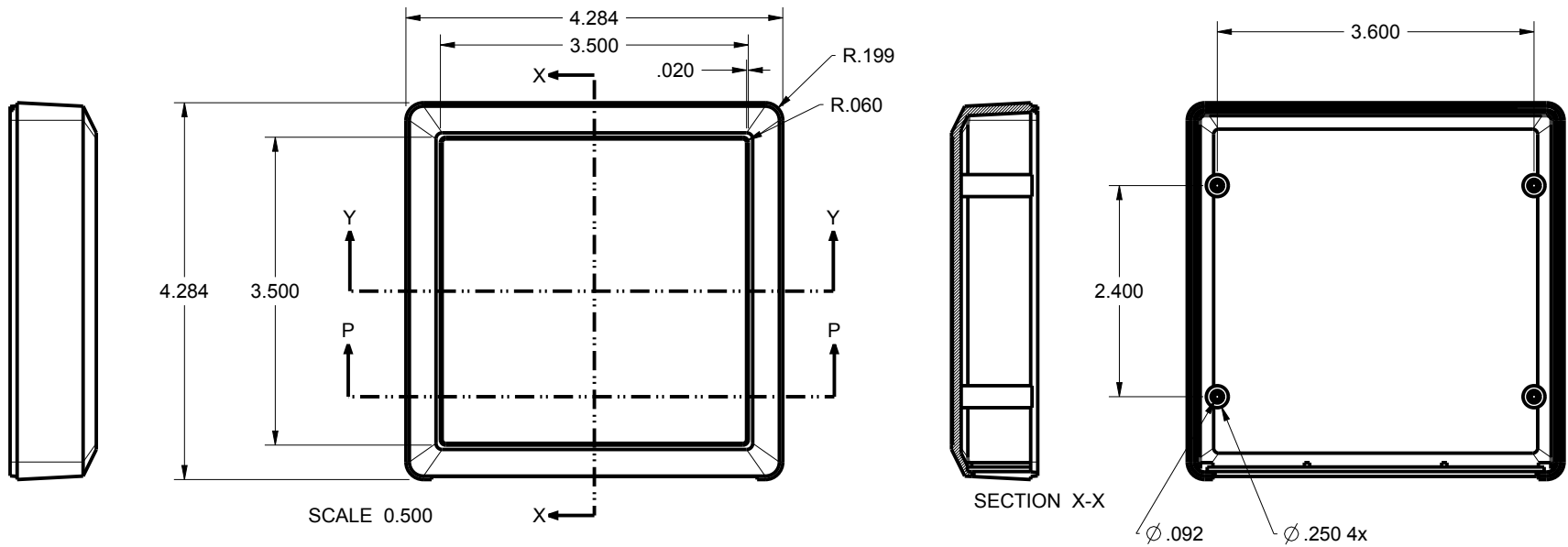
4330 Santa Fe Road San Luis Obispo, CA. 93401
ph. (805) 595-1310 fax (805) 595-1024
www.newageenclosures.com

STANDARD - SQUARE UTIL.
SXX-434313X-XXX

SIZE A DRAWING NAME 434313X_R1_1

SHEET 2 OF 8 REV.DOC 1.1

434313 COVER



TOLERANCES: UNLESS OTHERWISE SPECIFIED DIMENSIONS ARE IN U.S. INCHES.
 X.XX = .015 X.XXXX = .001
 X.XXX = .010 X.X° = 1°

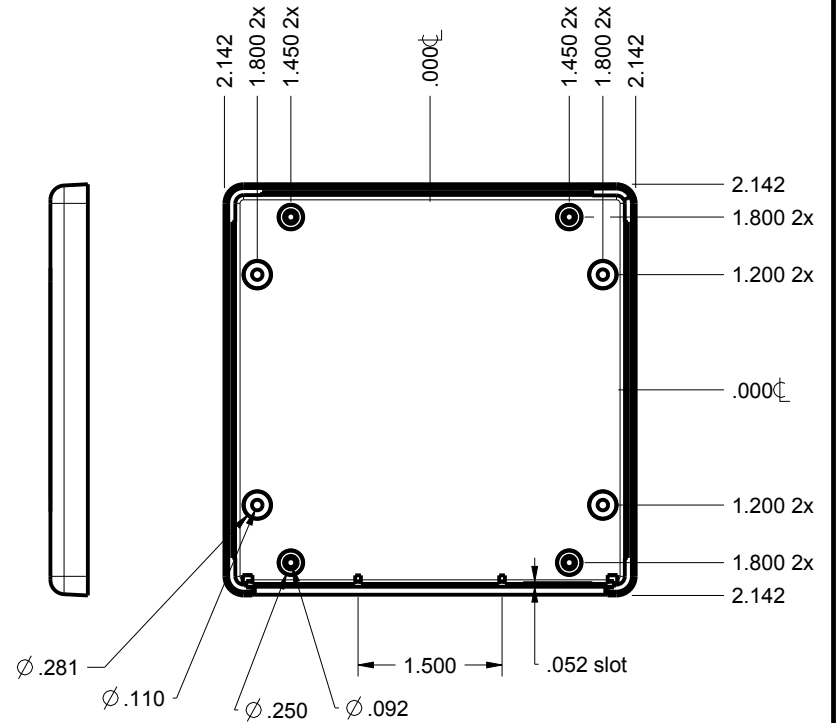
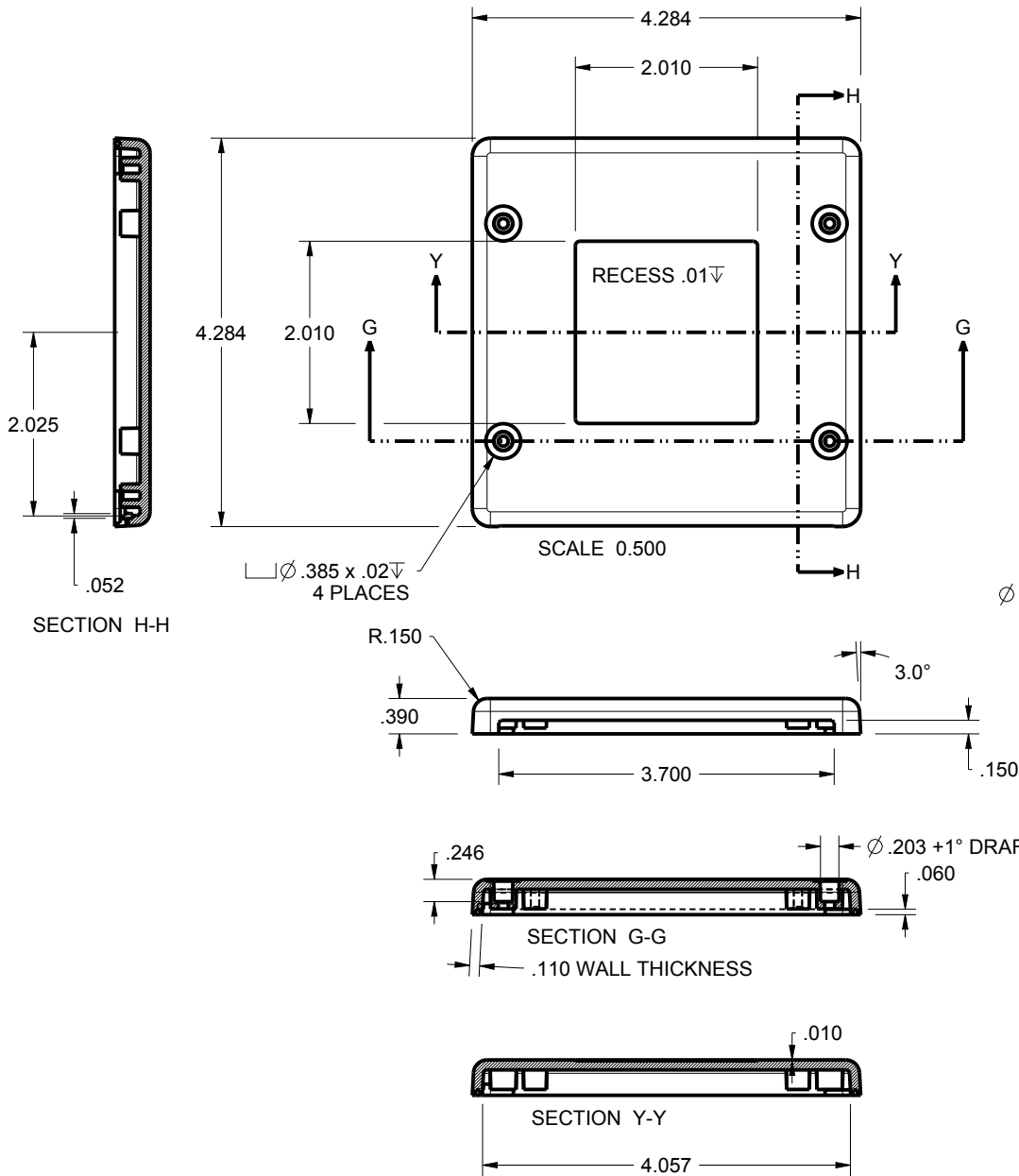
NEW AGE ENCLOSURES
 Customer's Part No: 434313

APPROVAL	BY	DATE
CHECK		
ENG.		
SCALE		
DRAWN BY	2009-Aug-24	
M BOYER		

NEW AGE ENCLOSURES
 4330 Santa Fe Road San Luis Obispo, CA. 93401
 ph. (805) 595-1310 fax (805) 595-1024
www.newageenclosures.com

STANDARD - SQUARE UTIL. SXX-434313X-XXX		SIZE	DRAWING NAME	SHEET	REV.DOC
		A	434313X_R1_1	3 OF 8	1.1

434313 BASE



TOLERANCES: UNLESS OTHERWISE SPECIFIED
DIMENSIONS ARE IN U.S. INCHES.

X.XX = .015 X.XXXX = .001
X.XXX = .010 X.X° = 1°

NEW AGE ENCLOSURES

Customer's Part No: 434313

APPROVAL	BY	DATE
CHECK		
ENG.		
SCALE		

DRAWN BY
M BOYER

2009-Aug-24

NEW AGE ENCLOSURES

4330 Santa Fe Road San Luis Obispo, CA. 93401
ph. (805) 595-1310 fax (805) 595-1024

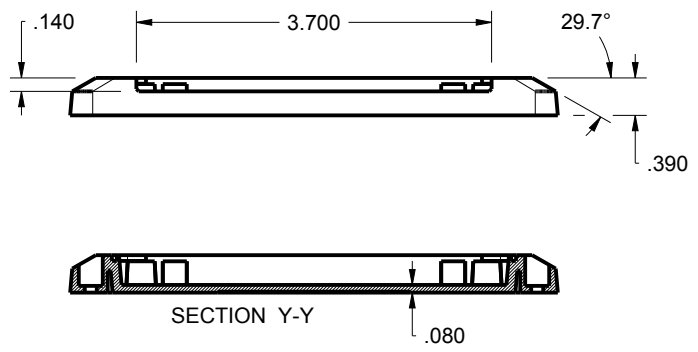
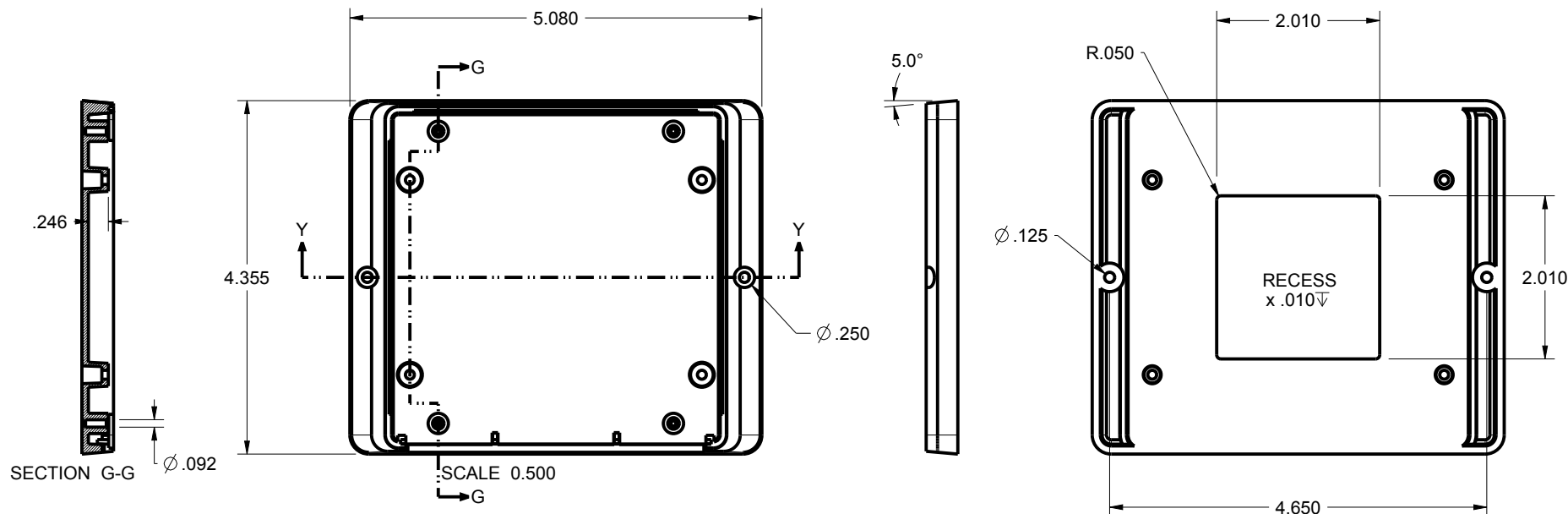
www.newageenclosures.com

STANDARD - SQUARE UTIL.
SXX-434313X-XXX

SIZE A DRAWING NAME
434313X_R1_1

SHEET 4 OF 8 REV.DOC 1.1

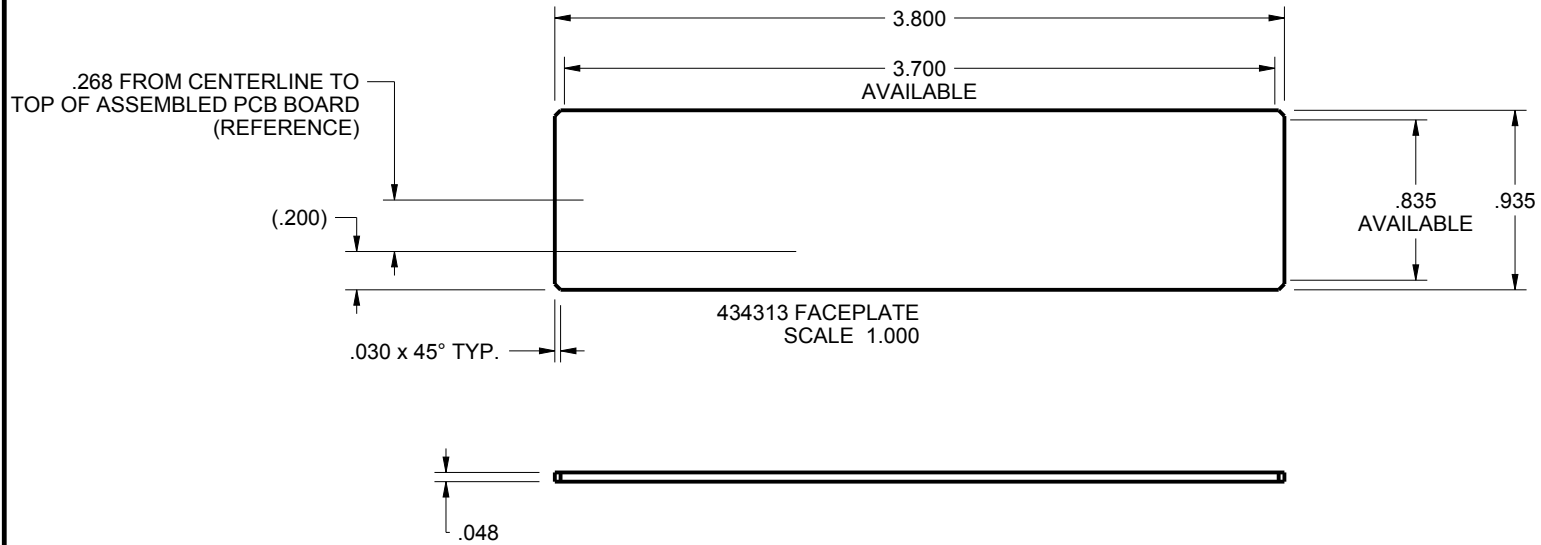
434313 WALL



TOLERANCES: UNLESS OTHERWISE SPECIFIED DIMENSIONS ARE IN U.S. INCHES.		NEW AGE ENCLOSURES	
X.XX = .015 X.XXXX = .001		4330 Santa Fe Road San Luis Obispo, CA. 93401	
X.XXX = .010 X.X° = 1°		ph. (805) 595-1310 fax (805) 595-1024	
NEW AGE ENCLOSURES		www.newageenclosures.com	
Customer's Part No: 434313			
APPROVAL	BY	DATE	
CHECK			
ENG.			
SCALE			
DRAWN BY	M BOYER		2009-Aug-24
SIZE	A		DRAWING NAME 434313X_R1_1
SHEET	5 OF 8		REV.DOC 1.1

NEW AGE ENCLOSURES
STANDARD - SQUARE UTIL.
SXX-434313X-XXX

434313 FACE PLATE



TOLERANCES: UNLESS OTHERWISE SPECIFIED
DIMENSIONS ARE IN U.S. INCHES.
X.XX = .015 X.XXXX = .001
X.XXX = .010 X.X° = 1°

NEW AGE ENCLOSURES

Customer's Part No: 434313

APPROVAL	BY	DATE
CHECK		
ENG.		
SCALE		

DRAWN BY	2009-Aug-24
M BOYER	

NEW AGE ENCLOSURES

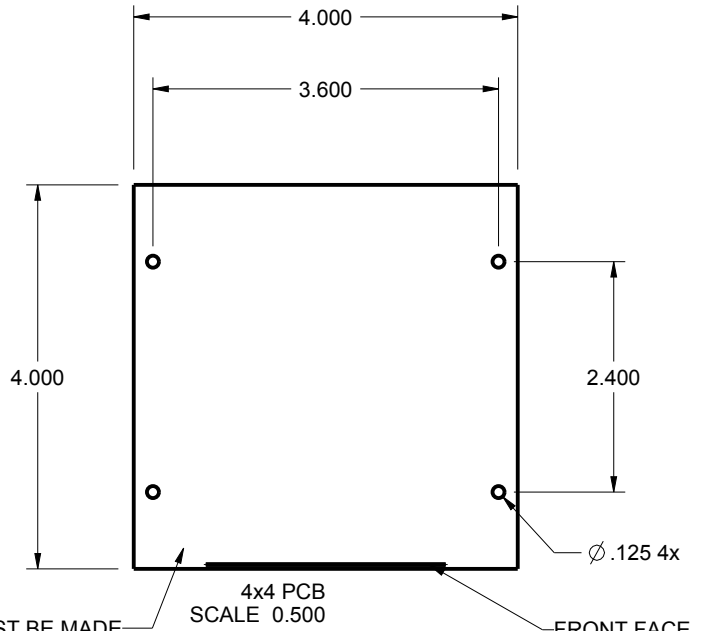
4330 Santa Fe Road San Luis Obispo, CA. 93401
ph. (805) 595-1310 fax (805) 595-1024
www.newageenclosures.com

STANDARD - SQUARE UTIL.
SXX-434313X-XXX

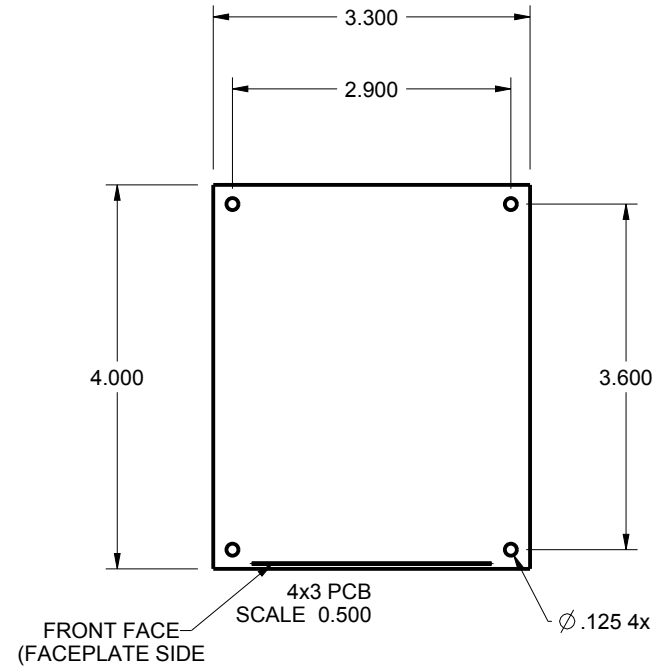
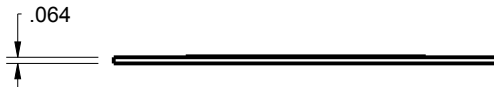
SIZE	DRAWING NAME
A	434313X_R1_1

SHEET	REV.DOC
6 OF 8	1.1

434313 PCB - CUSTOMER SUPPLIED
 PCB SIZES ARE RECOMMENDATIONS ONLY. FINAL SIZES AND VERIFICATION OF IT'S FIT ARE THE SOLE RESPONSIBILITY OF THE OEM.
 SEE SHEET 4 FOR POST CLEARANCE DETAILS.
 ENCLOSURE DESIGNED TO ACCOMODATE ONE OF THE TWO PCB CONFIGURATIONS SHOWN BELOW (NOT BOTH AT THE SAME TIME).



ALLOWANCES MUST BE MADE FOR THE EXTRA PCB POSTS IN ENCLOSURE OR POSTS SHOULD BE CLIPPED BY CUSTOMER.



TOLERANCES: UNLESS OTHERWISE SPECIFIED DIMENSIONS ARE IN U.S. INCHES.
 X.XX = .015 X.XXXX = .001
 X.XXX = .010 X.X° = 1°

NEW AGE ENCLOSURES

Customer's Part No: 434313

APPROVAL	BY	DATE
CHECK		
ENG.		
SCALE		

DRAWN BY
M BOYER 2009-Aug-24

NEW AGE ENCLOSURES

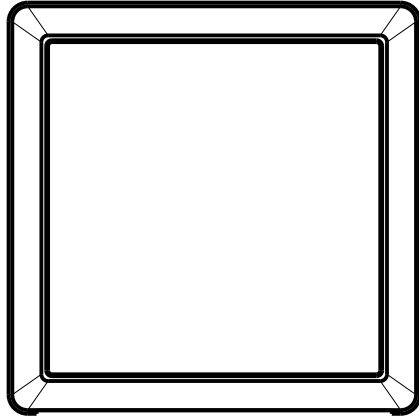
4330 Santa Fe Road San Luis Obispo, CA. 93401
 ph. (805) 595-1310 fax (805) 595-1024
www.newageenclosures.com

STANDARD - SQUARE UTIL.
SXX-434313X-XXX

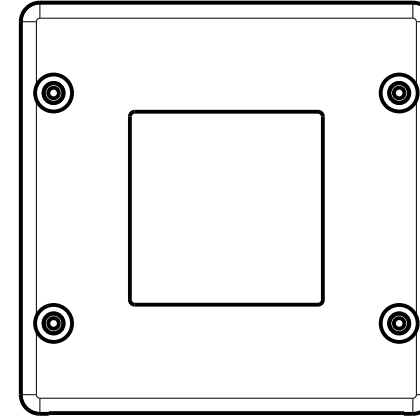
SIZE A	DRAWING NAME 434313X_R1_1	SHEET 7 OF 8	REV.DOC 1.1
-----------	------------------------------	-----------------	----------------

2nd OPERATION DETAILS

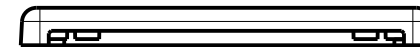
NEW AGE ENCLOSURES DELIVERS YOUR ENCLOSURE MARKET-READY WITH IN-HOUSE
CNC MACHINING, PAD PRINTING, ASSEMBLY, AND FULFILLEMENT.
ALL SURFACES AND AREAS ARE AVAILABLE FOR CNC ALTERATION BY NEW AGE ENCLOSURES
CALL (805) 595-1310 FOR PRICING AND SCHEDULE.
THE INSIDE RADIUS OF ANY MACHINED FEATURES SHOULD BE NO SMALLER THAN .031"



434313 COVER
SCALE 0.500



434313 BASE
SCALE 0.500



SXX-434313-XXX COVER - ABS, BLACK

STEP NO	DESCRIPTION	CUTTER	FIXTURE	ORIENTATION	PROGRAM
1-C-C1	-	T2 = .062" EM	207	-	o1000
2-C-C2	-	T2 = .062" EM	207	-	o1000
3-C-C3	-	T2 = .062" EM	207	-	o1000

SXX-434313-XXX BASE - ABS, BLACK

STEP NO	DESCRIPTION	CUTTER	FIXTURE	ORIENTATION	PROGRAM
1-B-C1	-	T2 = .062" EM	234	-	o1000
2-B-C2	-	T2 = .062" EM	234	-	o1000
3-B-C3	-	T2 = .062" EM	234	-	o1000

TOLERANCES: UNLESS OTHERWISE SPECIFIED
DIMENSIONS ARE IN U.S. INCHES.
X.XX = .015 X.XXXX = .001
X.XXX = .010 X.X° = 1°

NEW AGE ENCLOSURES

Customer's Part No: 434313

APPROVAL	BY	DATE
CHECK		
ENG.		
SCALE		
DRAWN BY		
M BOYER	2009-Aug-24	

NEW AGE ENCLOSURES

4330 Santa Fe Road San Luis Obispo, CA. 93401
ph. (805) 595-1310 fax (805) 595-1024
www.newageenclosures.com

STANDARD - SQUARE UTIL. SXX-434313X-XXX

SIZE	DRAWING NAME	SHEET	REV.DOC
A	434313X_R1_1	8 OF 8	1.1