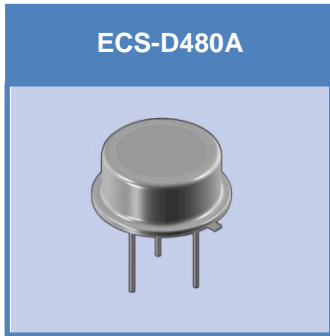


The ECS-D480A is a 480 MHz SAW (Surface Acoustic Wave) Filter in a thru-hole TO39-3A package. They are ideal for Satellite TV.

Request a Sample

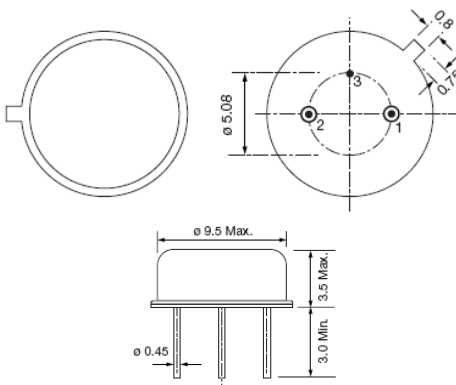
OPERATING CONDITIONS / ELECTRICAL CHARACTERISTICS



- Quartz Stability
- Ideal for Satellite Receiver
- RoHS Compliant

Parameters	Conditions	ECS-D480A			Units
		MIN	TYP	MAX	
Center Frequency		479.0	480.0	481.0	MHz
Insertion Loss	@ F _o		19.5	21	dB
3 dB Pass Band		16.6	17.6	18.6	MHz
Relative Attenuation	@ 471.0 MHz		3.4	5.4	dB
	@ 489.0 MHz		3.0	5.4	dB
	430 ~ 461 MHz	38.0	50.0		dB
	499 ~ 530 MHz	38.0	45.0		dB
Amplitude Ripple	476.0 ~ 484.0 MHz		0.3	0.6	dB
Group Delay	480.0 MHz		281.0		nS
Group Delay Ripple	471.5 ~ 488.5 MHz		11.5	18.0	nS
Frequency Stability	-25°C ~ +85°C		-86		PPM/°C
Terminating Impedance	Input	70Ω//3.7pF			
	Output	280Ω//2.5pF			
Operating Temperature		-25		+85	°C
Storage Temperature		-40		+85	°C

Package Dimensions (mm)



Pin Connections	
#1	Input
#2	Output
#3	Ground

Figure 1) Top, Side, and Bottom views