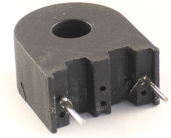




High Frequency Current Transformer ACT005T02-30-040

- Ideal for Current Measurement, Monitoring & Protection Applications
- Operating Temp: -40°C to +85°C
- Storage Temp: -45°C to +90°C
- Dielectric Withstanding Voltage (Hi-pot): 4KVrms/1mA/1min
- Insulation Resistance: DC500V/100MΩ min



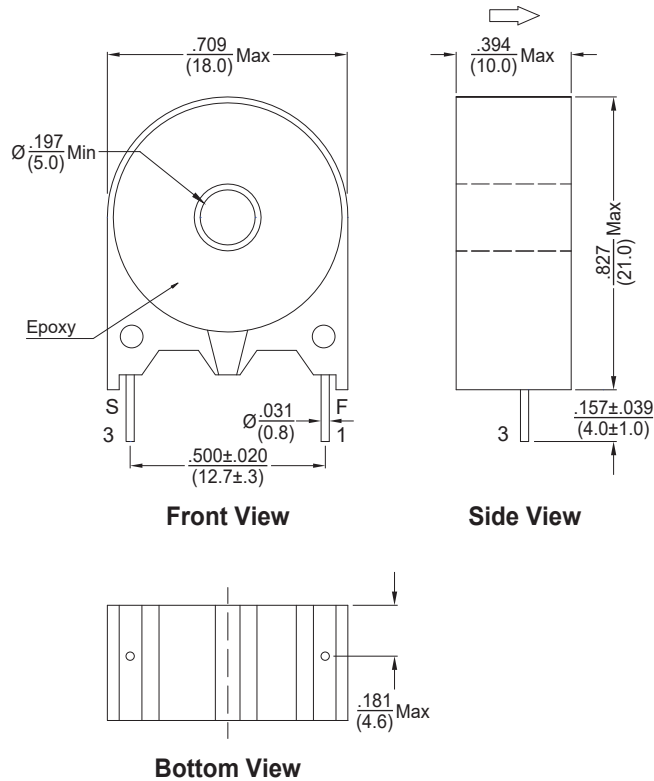
Electrical Specifications

Rated Primary Current (Amp) 20KHz to 50KHz	30A Max
Turns Ratio	Np:Ns = 1:750
Current Ratio	Ip:Is = 30A:40mA
Winding DC Resistance at 20°C	35Ω Max
Inductance (mH) @ 1KHz, 0.25V @ 20°C	1125 min
Sensitivity @ RL=750Ω	1V/A

All specifications subject to change without notice.

MECHANICAL

Dimensions: $\frac{\text{Inch}}{\text{(mm)}}$



TEST CIRCUIT

