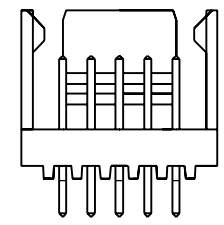
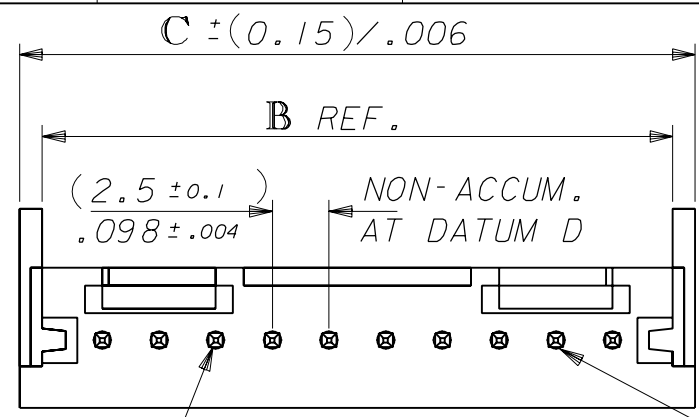


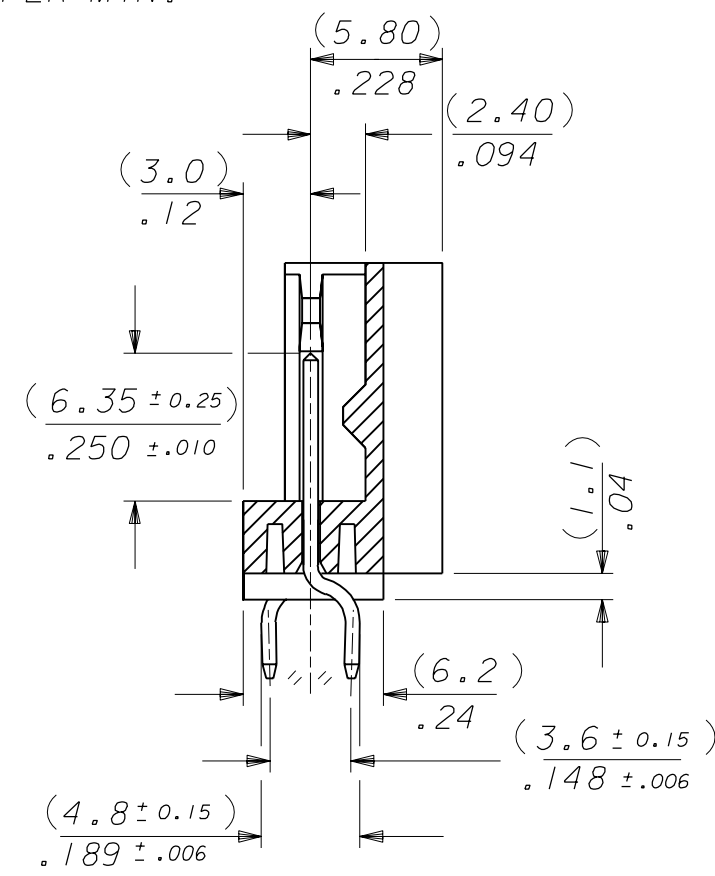
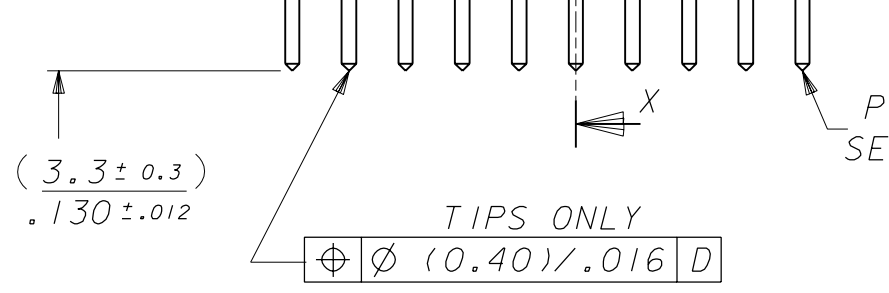
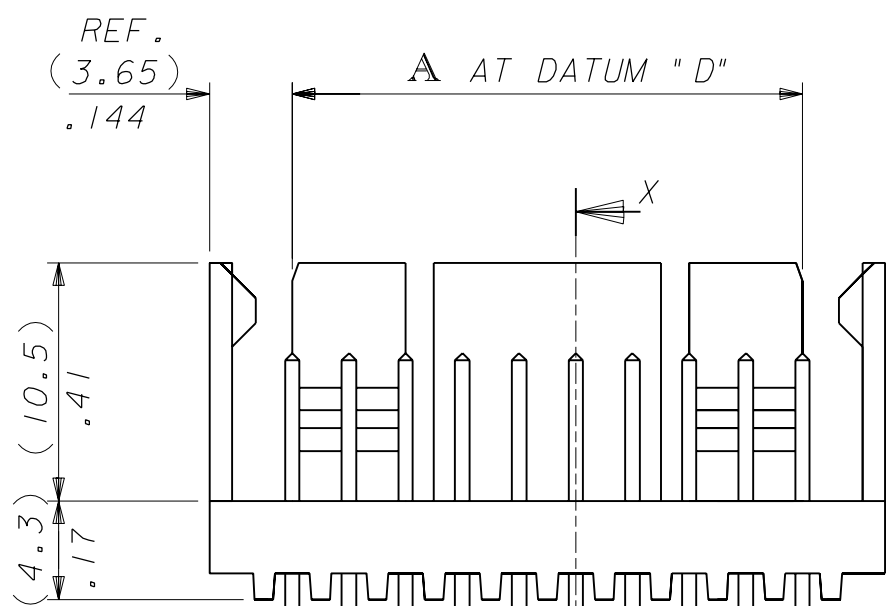
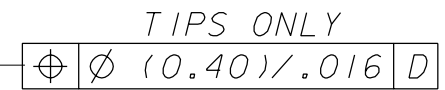
PART NO. SEE CHART  
 DWG. NO. SDA-90293



FOR CCTS 2 THRU 5

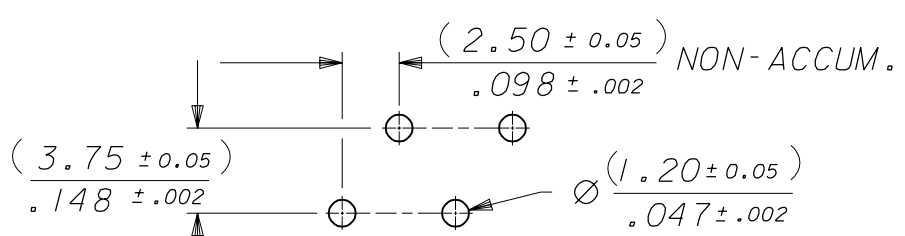
WAFER: POLYESTER 94V-0

PIN (0.635)/.025 SQ. BRASS  
 PREPLATED ELECTRO-TIN  
 (5μM)/.0002 MIN. OVER (2.5μM)/.0001  
 COPPER MIN.



SECTION X-X

- NOTES:
1. PIN 1 TO BE POSITIONED AS SHOWN FOR ALL CCT. SIZES.
  2. PIN PUSH OUT FORCE (0.907)/2 LBS MIN.
  3. SOLDERABILITY TO MOLEX SPEC. ES-152.
  4. RECOMMENDED PCB THICKNESS (1.5)/.060



RECOMMENDED PCB HOLE DIMNS.  
 VIEWED FROM COMPONENT SIDE

CCTS	DRG. No	DIMn. A	DIMn. B	DIMn. C	TOOLING
2	90293-0022	( 2.50 ± 0.10 ) .098 ± .004	( 7.80 ) .307	( 9.80 ) .386	TOOLED
3	0023	( 5.00 ± 0.10 ) .197 ± .004	( 10.30 ) .406	( 12.30 ) .484	
4	0024	( 7.50 ± 0.10 ) .295 ± .004	( 12.80 ) .504	( 14.80 ) .583	
5	0025	( 10.00 ± 0.10 ) .394 ± .004	( 15.30 ) .602	( 17.30 ) .681	
6	0026	( 12.50 ± 0.10 ) .492 ± .004	( 17.80 ) .701	( 19.80 ) .780	
7	0027	( 15.00 ± 0.10 ) .591 ± .004	( 20.30 ) .799	( 22.30 ) .878	
8	0028	( 17.50 ± 0.10 ) .689 ± .004	( 22.80 ) .898	( 24.80 ) .976	
9	0029	( 20.00 ± 0.10 ) .787 ± .004	( 25.30 ) .996	( 27.30 ) 1.075	
10	0030	( 22.50 ± 0.13 ) .886 ± .005	( 27.80 ) 1.094	( 29.80 ) 1.173	
11	0031	( 25.00 ± 0.13 ) .984 ± .005	( 30.30 ) 1.193	( 32.30 ) 1.272	
12	0032	( 27.50 ± 0.13 ) 1.083 ± .005	( 32.80 ) 1.291	( 34.80 ) 1.370	
13	0033	( 30.00 ± 0.15 ) 1.181 ± .006	( 35.30 ) 1.390	( 37.30 ) 1.469	
14	0034	( 32.50 ± 0.15 ) 1.280 ± .006	( 37.80 ) 1.488	( 39.80 ) 1.567	
15	0035	( 35.00 ± 0.15 ) 1.378 ± .006	( 40.30 ) 1.587	( 42.30 ) 1.665	
16	0036	( 37.50 ± 0.15 ) 1.476 ± .006	( 42.80 ) 1.685	( 44.80 ) 1.764	
17	0037	( 40.00 ± 0.15 ) 1.575 ± .006	( 45.30 ) 1.783	( 47.30 ) 1.862	
18	0038	( 42.50 ± 0.18 ) 1.673 ± .007	( 47.80 ) 1.882	( 49.80 ) 1.961	
19	0039	( 45.00 ± 0.18 ) 1.772 ± .007	( 50.30 ) 1.980	( 52.30 ) 2.059	
20	90293-0040	( 47.50 ± 0.18 ) 1.870 ± .007	( 52.80 ) 2.079	( 54.80 ) 2.157	TOOLED

ADDED BORDER	QUALITY SYMBOLS
ECN NO. E2001-0472	MAJOR = 0
DRWN: MJACKO 26/10/00	CRITICAL C = 0
CHK:	
APPR:	
REV	

GENERAL TOLERANCES: (UNLESS SPECIFIED)	
mm	INCH
4 PLACES ±0.	±.
3 PLACES ±0.	±.006
2 PLACES ±0.15	±.015
1 PLACE ±0.38	±.0
ANGULAR: ± 2 °	
DRAFT WHERE APPLICABLE MUST REMAIN WITHIN DIMENSIONS	

SCALE 3:1	DESIGN UNITS
	<input type="checkbox"/> mm <input checked="" type="checkbox"/> INCH
DRAWN BY & DATE	
MCC 13/8 /86	
CHECKED BY & DATE	
APPROVED BY & DATE	
CAD FILENAME	
SA90293X1 DGN	

DIMENSIONS:		SHT	REV
<input checked="" type="checkbox"/> mm	<input type="checkbox"/> INCH	<input type="checkbox"/> mm	<input type="checkbox"/> ONLY
THIRD ANGLE PROJECTION		REVISE ON CAD ONLY	
TITLE: STAGGERED, SHROUDED WAFER ASSY, MULTI-PURPOSE, (2.5)/.098 CTRS.			
MOLEX INCORPORATED			
MATERIAL NO.	DRAWING NO.	SHEET NO.	
SEE CHART	SDA-90293	1 OF 1	
THIS DRAWING CONTAINS INFORMATION THAT IS PROPRIETARY TO MOLEX INCORPORATED AND SHOULD NOT BE USED WITHOUT WRITTEN PERMISSION.			SIZE B