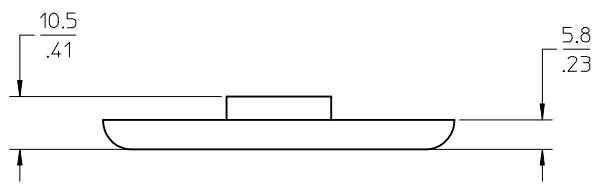
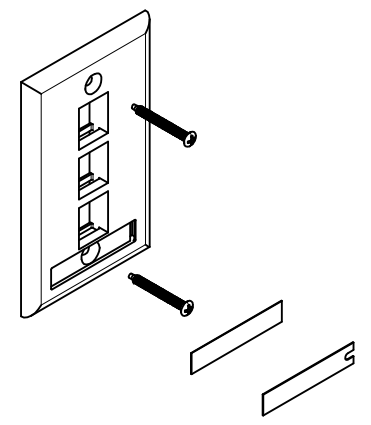
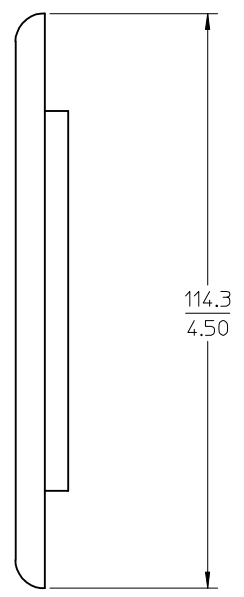
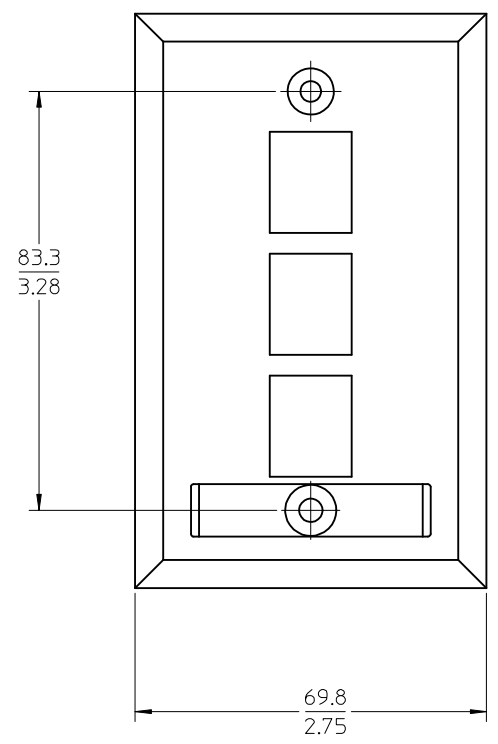


10 9 8 7 6 5 4 3 2 1



NOTES:  
 A) MATERIAL:  
 1) WALL PLATE: ACRYLONITRILE-BUTADIENE-STYRENE (ABS)  
 2) LABEL HOLDER : POLYVINYL CHLORIDE (PVC).  
 B) PACKAGING:  
 WALL PLATE, SCREWS (QTY 2), LABEL (QTY 1), LABEL HOLDER (QTY 1) AND INSTRUCTION SHEET ARE INDIVIDUALLY PACKED IN A BAG. 10 SUCH BAGS ARE PACKED IN A MASTER BAG.



ISO VIEW  
SCALE 1:2

PART NUMBER CHART		
MPN NUMBER	SAP NUMBER	COLOR
WPJ-00009-01	184000541	ALMOND
WPJ-00009-02	184000542	WHITE
WPJ-00009-04	180400274	BLACK
WPJ-00009-05	184000543	IVORY
WPJ-00009-08	181280003	GREY

<b>ENTER DESCRIPTION</b> EC NO: MT S2009-0155 DRWN:PS03 CHKD:JKUMAR APPR:JKUMAR	2009/10/01 2009/10/01 2009/10/01	DESCRIPTION REV	QUALITY SYMBOLS ▽=0 C=0	GENERAL TOLERANCES (UNLESS SPECIFIED)		DIMENSION STYLE <b>MM/IN</b>		SCALE <b>1:1</b>	DESIGN UNITS <b>METRIC</b>	THIRD ANGLE PROJECTION																		
				<table border="1"> <tr> <th></th> <th>mm</th> <th>INCH</th> </tr> <tr> <td>4 PLACES</td> <td>± ---</td> <td>± ---</td> </tr> <tr> <td>3 PLACES</td> <td>± ---</td> <td>± ---</td> </tr> <tr> <td>2 PLACES</td> <td>± ---</td> <td>± .020</td> </tr> <tr> <td>1 PLACE</td> <td>± 0.51</td> <td>± ---</td> </tr> </table>		mm	INCH	4 PLACES	± ---	± ---	3 PLACES	± ---	± ---	2 PLACES	± ---	± .020	1 PLACE	± 0.51	± ---	<table border="1"> <tr> <th>mm</th> <th>INCH</th> </tr> <tr> <td>± 0.51</td> <td>± ---</td> </tr> </table>	mm	INCH	± 0.51	± ---	DRAWN BY HPRAKASH	DATE 2006/06/19	TITLE <b>STREAMLINE WALL PLATE, 3 PORT</b>	
				mm	INCH																							
			4 PLACES	± ---	± ---																							
3 PLACES	± ---	± ---																										
2 PLACES	± ---	± .020																										
1 PLACE	± 0.51	± ---																										
mm	INCH																											
± 0.51	± ---																											
			CHECKED BY JKUMAR	DATE 2006/06/19	APPROVED BY JKUMAR		DATE 2006/06/19	<b>MOLEX INCORPORATED</b>																				
			DRAFT WHERE APPLICABLE MUST REMAIN WITHIN DIMENSIONS		MATERIAL NO. <b>SEE CHART</b>	DOCUMENT NO. <b>SD-18400-051</b>	SHEET NO. <b>1 OF 1</b>																					

9 8 7 6 5 4 3 2 1