

RH-WR Offset tubular handles

Aluminium

METRIC



RH-TL.WR Offset tubular handles

Aluminium and stainless steel

METRIC



- 1
- 2
- 3
- 4
- 5
- 6
- 7
- 8
- 9
- 10
- 11
- 12
- 13
- 14
- 15
- 16
- 17
- 18

HANDLE SHANKS

Extruded aluminium, anodised in natural colour, semi-glossy finish. Threaded blind holes.

TUBE

Extruded aluminium, ground surface, anodised in natural colour.

END CAPS

Extruded aluminium, in natural colour anodised.

SPECIAL EXECUTIONS ON REQUEST

- Different lengths.
- Tube and handle shanks in anodised aluminium, black colour.

HANDLE SHANKS

Extruded aluminium, anodised in natural colour, semi-glossy finish. Threaded blind holes.

TUBE

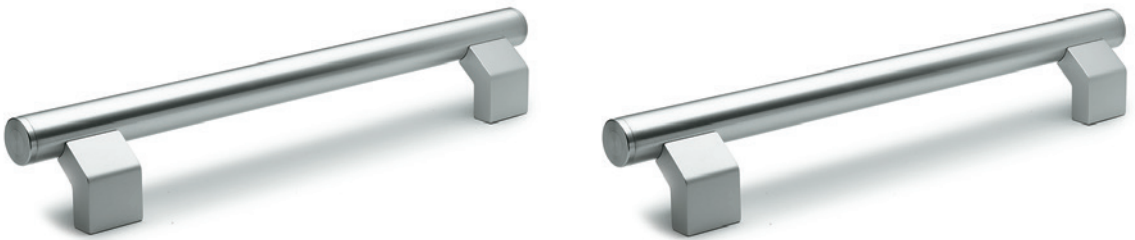
AISI 304 stainless steel, ground surface.

END CAPS

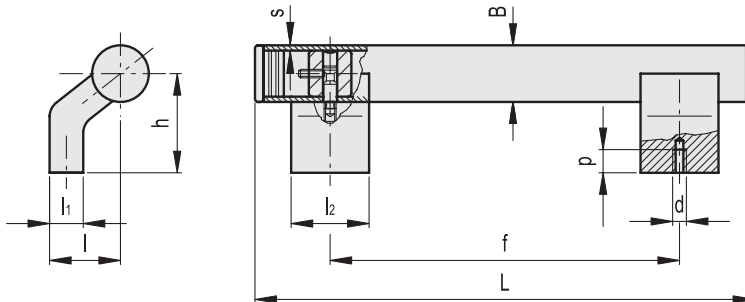
Turned AISI 303 stainless steel.

SPECIAL EXECUTIONS ON REQUEST

- Different lengths.
- Tube and handle shanks in anodised aluminium, black colour.



Conversion Table	
1 mm = 0.039 inch	
mm	inch
260	10.24
360	14.17
390	15.35
490	19.29
590	23.23



METRIC

INOX STAINLESS STEEL

METRIC

Code	f	L	d	p	B	h	l	lt	l2	s	⚖️
RHWR-20.300.01	300	360	M6	12	20	40	31	12	30	2	230
RHWR-30.300.01	300	390	M8	15	30	55	39	18	40	1.5	482
RHWR-30.500.01	500	590	M8	15	30	55	39	18	40	1.5	550

Code	f	L	d	p	B	h	l	lt	l2	s	⚖️
RHTL.WR-20.200.37	200	260	M6	12	20	40	31	12	30	2	380
RHTL.WR-20.300.37	300	360	M6	12	20	40	31	12	30	2	464
RHTL.WR-30.300.37	300	390	M8	15	30	55	39	18	40	1.5	838
RHTL.WR-30.400.37	400	490	M8	15	30	55	39	18	40	1.5	945
RHTL.WR-30.500.37	500	590	M8	15	30	55	39	18	40	1.5	1046

Lift & Pull handles