



### Main

Range of Product	Modicon ABE7
Product or Component Type	Sub-base for plug-in relay
Sub-base type	Input sub-base
[Us] rated supply voltage	19...30 V IEC 61131-2
Number of Channels	16
Number of terminal per channel	2
Connections - terminals	<p>Screw type terminals, 1 x 0.09...1 x 1.5 mm<sup>2</sup>, 0.00...0.00 in<sup>2</sup> (0.09...1.5 mm<sup>2</sup>) AWG 28...AWG 16) flexible with cable end</p> <p>Screw type terminals, 1 x 0.14...1 x 2.5 mm<sup>2</sup>, 0.00...0.00 in<sup>2</sup> (0.14...2.5 mm<sup>2</sup>) AWG 26...AWG 12) solid</p> <p>Screw type terminals, 1 x 0.14...1 x 2.5 mm<sup>2</sup>, 0.00...0.00 in<sup>2</sup> (0.14...2.5 mm<sup>2</sup>) AWG 26...AWG 14) flexible without cable end</p> <p>Screw type terminals, 2 x 0.09...2 x 0.75 mm<sup>2</sup>, 0.00...0.00 in<sup>2</sup> (0.09...0.75 mm<sup>2</sup>) AWG 28...AWG 20) flexible with cable end</p> <p>Screw type terminals, 2 x 0.2...2 x 2.5 mm<sup>2</sup>, 0.00...0.00 in<sup>2</sup> (0.2...2.5 mm<sup>2</sup>) AWG 24...AWG 14) solid</p>

### Complementary

Supply voltage type	DC
Product Compatibility	ABR7 ABS7S33E ABS7E
Status LED	Channel status 1 LED per channel Green) Power ON 1 LED Green)
Isolation PLC/operative part	Yes
Polarity distribution	Polarity distribution contact common per group of 4 channels
Short-circuit protection	1 A internal fuse, 5 x 20 mm, fast blow PLC end)
Fixing mode	By clips 35 mm symmetrical DIN rail) By screws solid plate with fixing kit)
Maximum supply current	1 A
Voltage drop on power supply fuse	0.3 V
[Uimp] rated impulse withstand voltage	2.5 kV
[Ui] rated insulation voltage	300 V coil circuit/contact circuits IEC 60947-1 2000 V terminals/mounting rails
Installation category	II IEC 60664-1
Tightening torque	5.31 lbf.in (0.6 N.m) flat Ø 3.5 mm
Net Weight	1.87 lb(US) (0.85 kg)

The information provided in this documentation contains general descriptions and/or technical characteristics of the performance of the products contained herein. This documentation is not intended as a substitute for and is not to be used for determining suitability or reliability of these products for specific user applications. It is the duty of any such user or integrator to perform the appropriate and complete risk analysis, evaluation and testing of the products with respect to the relevant specific application or use thereof. Neither Schneider Electric Industries SAS nor any of its affiliates or subsidiaries shall be responsible or liable for misuse of the information contained herein.

## Environment

Product Certifications	DNV GL BV LROS (Lloyds register of shipping) CSA EAC
IP degree of protection	IP2x conforming to IEC 60529
Resistance to incandescent wire	1382 °F (750 °C) IEC 60695-2-11
Shock resistance	15 gn 11 ms IEC 60068-2-27
Vibration resistance	2 gn 10...150 Hz)IEC 60068-2-6
Resistance to electrostatic discharge	4 KV contact) level 3 IEC 61000-4-2 8 kV air) level 3 IEC 61000-4-2
Resistance to radiated fields	9.14 V/m (10 V/m) 26000000...1000000000 Hz)IEC 61000-4-3 level 3
Resistance to fast transients	2 kV level 3 IEC 61000-4-4
Ambient air temperature for operation	23...140 °F (-5...60 °C) IEC 61131-2
Ambient air temperature for storage	-40...176 °F (-40...80 °C) IEC 61131-2
Pollution degree	2 IEC 60664-1

## Ordering and shipping details

Category	22375 - INTERFACE MODULE(ABA,R,S)
Discount Schedule	CP2
GTIN	3389110705171
Nbr. of units in pkg.	1
Package weight(Lbs)	27.72 oz (786 g)
Returnability	No
Country of origin	LV

## Packing Units

Unit Type of Package 1	PCE
Package 1 Height	3.35 in (8.5 cm)
Package 1 width	3.94 in (10 cm)
Package 1 Length	11.50 in (29.2 cm)
Unit Type of Package 2	S03
Number of Units in Package 2	6
Package 2 Weight	11.33 lb(US) (5.141 kg)
Package 2 Height	11.81 in (30 cm)
Package 2 width	11.81 in (30 cm)
Package 2 Length	15.75 in (40 cm)

## Offer Sustainability

Sustainable offer status	Green Premium product
California proposition 65	WARNING: This product can expose you to chemicals including: Lead and lead compounds, which is known to the State of California to cause cancer and birth defects or other reproductive harm. For more information go to <a href="http://www.P65Warnings.ca.gov">www.P65Warnings.ca.gov</a>
REACH Regulation	<a href="#">REACH Declaration</a>
REACH free of SVHC	Yes
EU RoHS Directive	Pro-active compliance (Product out of EU RoHS legal scope) <a href="#">EU RoHS Declaration</a>
Mercury free	Yes
RoHS exemption information	<a href="#">Yes</a>
China RoHS Regulation	<a href="#">China RoHS Declaration</a>
Environmental Disclosure	<a href="#">Product Environmental Profile</a>

---

Circularity Profile	<a href="#">End Of Life Information</a>
WEEE	The product must be disposed on European Union markets following specific waste collection and never end up in rubbish bins.

---

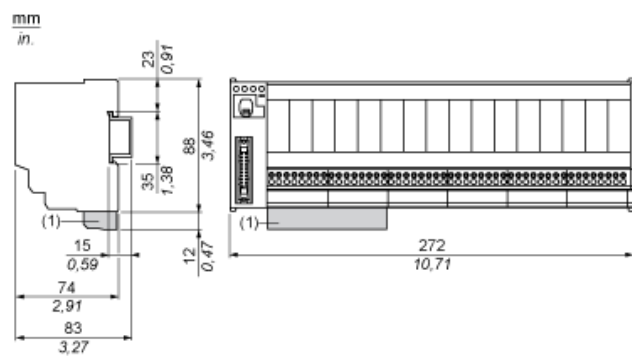
**Contractual warranty**

---

Warranty	18 months
----------	-----------

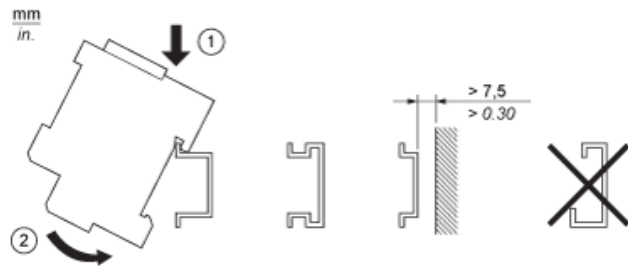
---

Dimensions

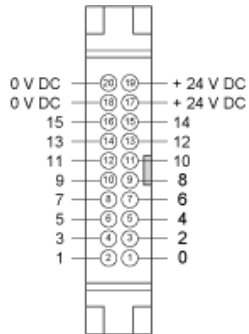


(1) ABE7BV10 / BV20, ABE7BV10E / BV20E

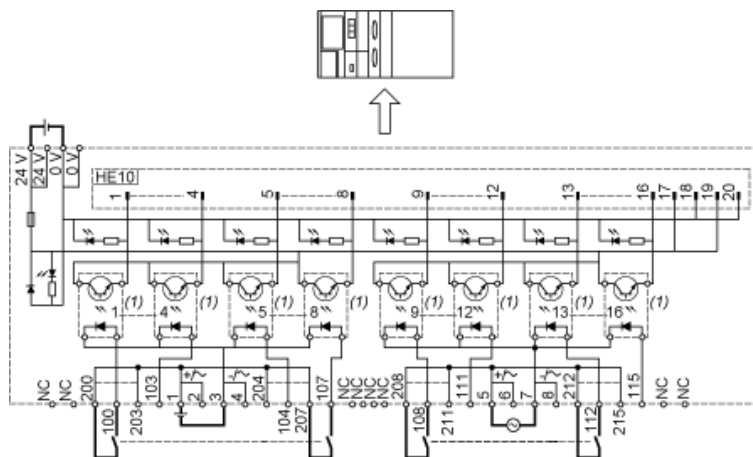
Mounting



HE10 16 Channels

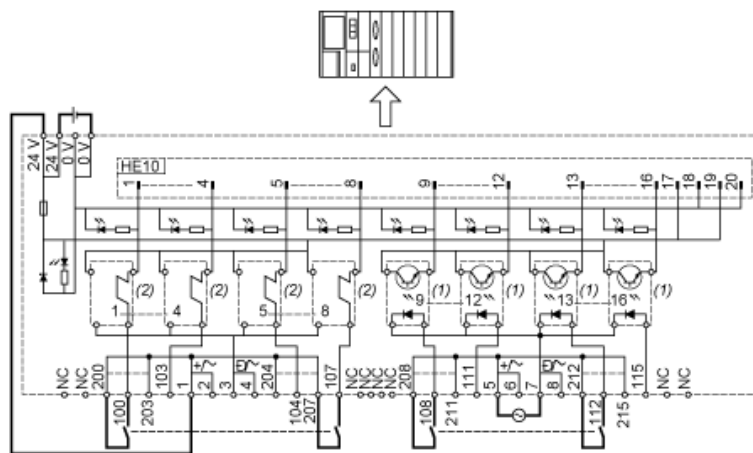


Wiring Diagram



- (1) ABS7EC3AL (5 VDC TTL) / ABS7EC3B2 (24 VDC) / ABS7EC3E2 (48 VDC) / ABS7EA3E5 (48 VAC) / ABS7EA3F5 (110/130 VAC) / ABS7EA3M5 (230/240 VAC) (not supplied)

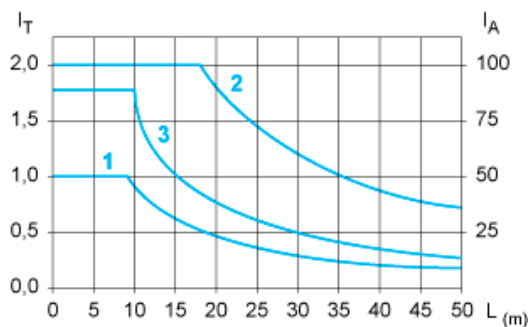
Wiring Diagram



- (1) ABS7EC3AL (5 VDC TTL) / ABS7EC3B2 (24 VDC) / ABS7EC3E2 (48 VDC) / ABS7EA3E5 (48 VAC) / ABS7EA3F5 (110/130 VAC) / ABS7EA3M5 (230/240 VAC) (not supplied)  
(2) ABE7ACC21 (24 VDC) (not supplied / not isolated)

Curves for Determining Cable Type and Length According to the Current

16-channel Sub-base



L Cable length

I<sub>T</sub> Total current per sub base (A)

I<sub>A</sub> Average current per channel (mA)

(1) TSXCDP••2 and ABFH20H••0 cables with c.s.a. 0.08 mm<sup>2</sup> (AWG 28).

(2) TSXCDP••3 cables with c.s.a. 0.34 mm<sup>2</sup> (AWG 22).

(3) Cables with c.s.a. 0.13 mm<sup>2</sup> (AWG 26).

The curves are given for a voltage drop of 1 V in the cable. For n volts tolerance, multiply the length determined from the graph by n.