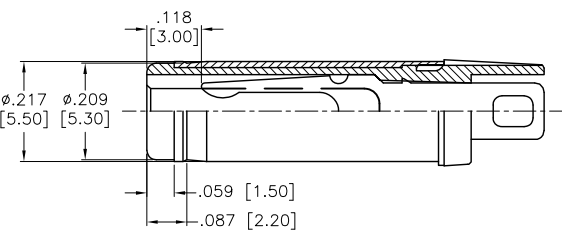
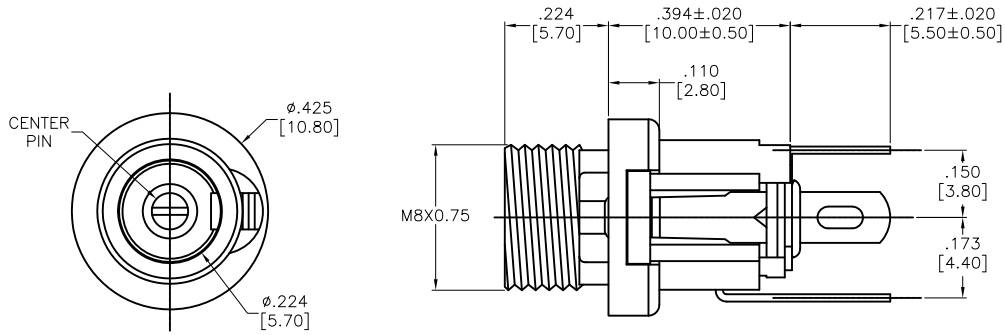
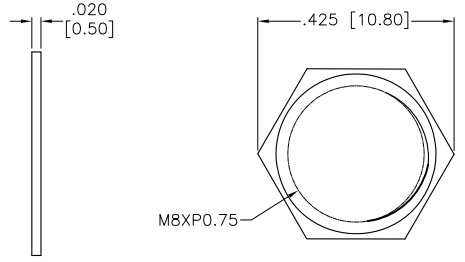
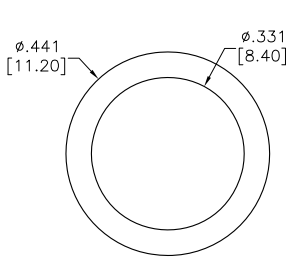
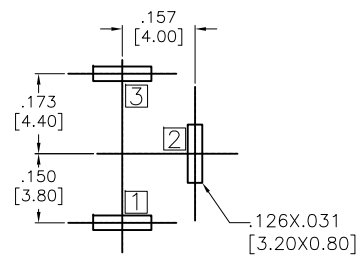
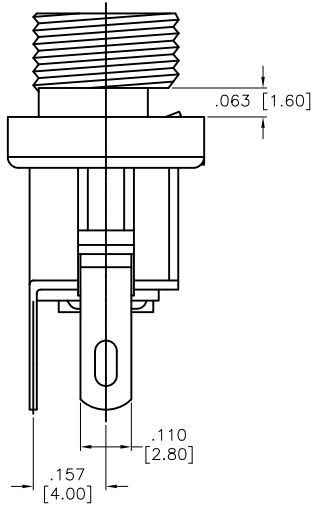


APPROVED: \_\_\_\_\_  
 DATE: \_\_\_\_\_ TITLE: \_\_\_\_\_

| Rev | AWO # | Description     | Date     | Appr   |
|-----|-------|-----------------|----------|--------|
| -   |       | RELEASED        | 12/22/06 |        |
| A   |       | RELEASED        | 01/04/07 |        |
| B   |       | ADDED DIM.      | 1/08/10  |        |
| C   |       | REDRAWN         | 7/11/13  |        |
| D   |       | UPDATED DRAWING | 11/2/17  | HR/RC1 |



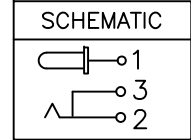
DC MATE PLUG



SPECIFICATIONS:  
 Material:  
 Insulator: PBT, rated UL 94V-0  
 Insulator color: Black  
 Contacts: Copper Alloy, Tin plated  
 Center Pin: Bronze, Nickel plated  
 Bushing: Brass Nickel plated  
 Washer: Bakelite & SPCC, Nickel plated  
 Nut: Brass, Nickel plated  
 Electrical:  
 Voltage rating: 30 VDC  
 Current rating: 3 A  
 Contact resistance: 30 mohms max  
 Insulation resistance: 100 Mohms min @ 500 VDC  
 Dielectric withstanding voltage: 500 VAC  
 Temperature Rating:  
 Operating temperature: -20°C to +70°C  
 Environmental:  
 Lead free, RoHS compliant.



| PART NO.     | CENTER PIN DIA. |
|--------------|-----------------|
| ADC-027-1-M8 | 2.00mm          |
| ADC-027-2-M8 | 2.50mm          |
| ADC-027-5-M8 | 2.35mm          |



UNLESS OTHERWISE SPECIFIED  
 ALL DIMENSIONS ARE INCHES [MM]  
 TOLERANCES: EXCEPT AS NOTED

| INCHES |            | HOLES       |            |
|--------|------------|-------------|------------|
| .X     | $\pm .10$  | $\phi .X$   | $\pm .10$  |
| .XX    | $\pm .020$ | $\phi .XX$  | $\pm .015$ |
| .XXX   | $\pm .015$ | $\phi .XXX$ | $\pm .010$ |

| APPROVALS |    | DATE    |
|-----------|----|---------|
| DRAWN     | AY | 9/15/15 |
| CHECKED   | NP | 9/15/15 |
| APPROVED  |    |         |

**ADAM TECH**  
 909 Rahway Avenue, Union, NJ 07083  
 Phone: 908-687-5000 Fax: 908-687-5710

TITLE: DC POWER JACK, VERTICAL, PANEL MOUNT, M8 THD BUSHING

|           |                          |           |
|-----------|--------------------------|-----------|
| SIZE<br>X | PART NO.<br>ADC-027-X-M8 | REV.<br>D |
|-----------|--------------------------|-----------|

REF: S00002C SCALE: NTS SHEET 1 OF 1