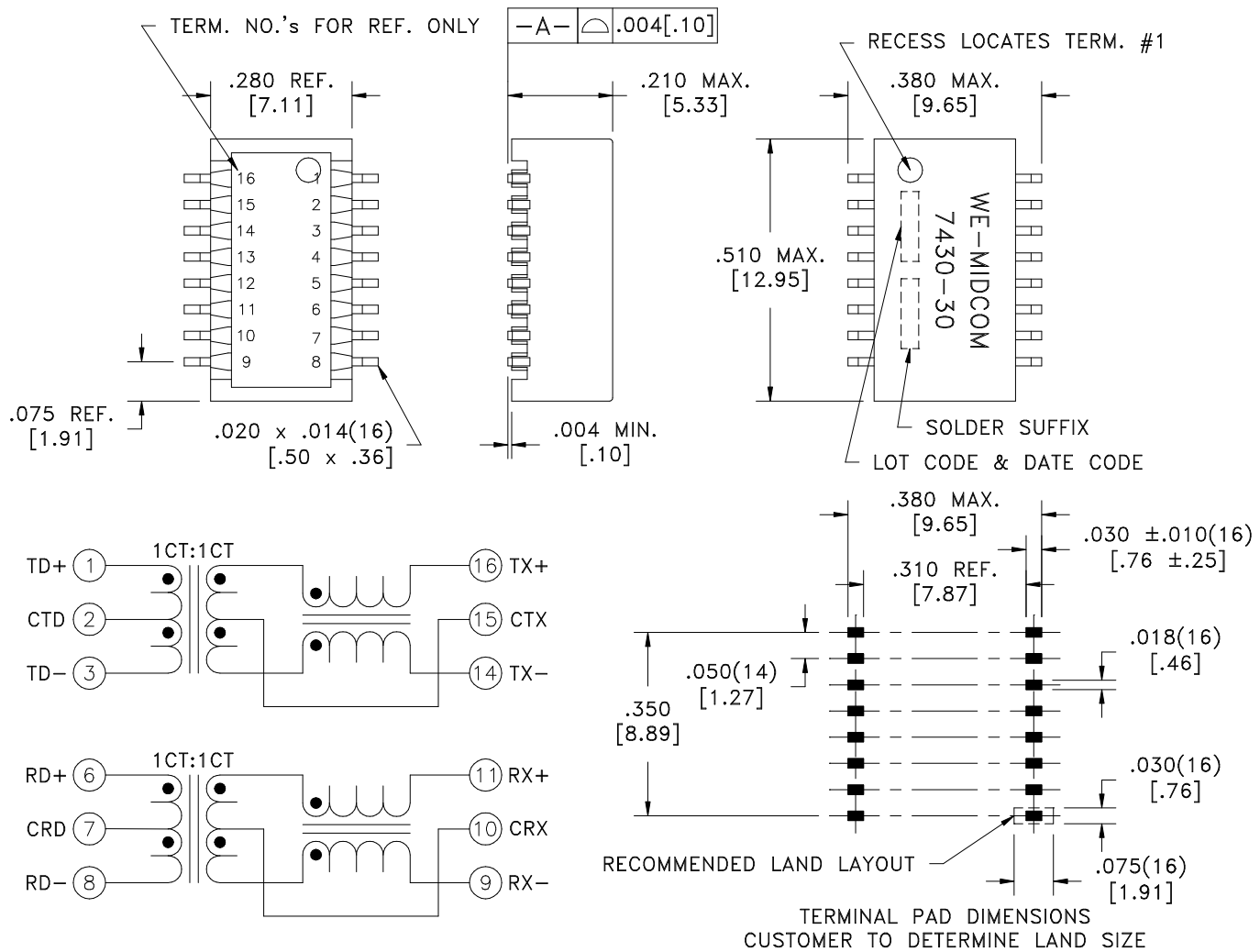



SOLDER SUFFIX	CUSTOMER TERMINAL	RoHS	LEAD(Pb)-FREE
LF1	Sn96%, Ag4%	Yes	Yes



ELECTRICAL SPECIFICATIONS @ 25°C unless otherwise noted:

- INDUCTANCE: 350uH min., 100kHz, 100mV, 8mADC, 16-14; 11-9, Lp.
- DIELECTRIC RATING: 1500Vrms, 1 minute tested by applying 1800Vrms for 1 second between 1-16(tie 1+6, 16+11).
- URNS RATIO & POLARITY: (1-3):(16-14) = 1:1, ±2%. (6-8):(11-9) = 1:1, ±2%.
- INSERTION LOSS: -1.1dB max., 500k - 100MHz.
- RETURN LOSS: -18dB min., 500k - 30MHz. -16dB min., 30M - 45MHz. -14dB min., 45M - 60MHz. -12dB min., 60M - 80MHz.
- CROSSTALK: -35dB min., 1M - 100MHz.
- DCMR: -30dB min., 500k - 100MHz.
- CMRR: -30dB min., 500k - 100MHz.
- OPERATING TEMPERATURE RANGE: -25°C to +105°C.
- COPLANARITY: All 16 terminals must lie on a plane within .004 [.10] of Surface A after lead tinning.

Unless otherwise specified: Tolerances: Angles: ±1° Fractions: ±1/64 Decimals: ±.005[.13]	DRAWING TITLE <h2 style="text-align: center;">TRANSFORMER</h2> <h3 style="text-align: center;">EDSO-G16</h3> eiSos p/n: 7490100111	 www.midcom-inc.com	PART NO. <h2 style="text-align: center;">000-7430-30R-LF1</h2> REV. 6A 7/07
	This drawing is dual dimensioned. Dimensions in brackets are in millimeters.	SEE REVISION SHEET FOR REVISION LEVEL	

PART # 000-7430-30R-LF1