

TLC59116EVM-390

This user's guide describes the characteristics, setup, and use of the TLC59116EVM-390 Evaluation Module (EVM). This EVM helps the user evaluate the features of the Texas Instruments TLC59116, which is an I²C bus-controlled, 16-channel, constant-current LED driver. This user's guide includes set-up instructions, a schematic diagram, a bill of materials, printed-circuit board layout drawings, and software instructions.

Contents

1	Introduction	2
1.1	Requirements	2
2	Setup	3
2.1	Input / Output Connector Descriptions	3
2.2	Software Setup	4
2.3	Hardware Setup	5
3	Operation	5
3.1	Operation	5
4	Schematics, Board Layouts, and Bills of Materials	9
4.1	Schematics	10
4.2	Layouts	13
4.3	Bills of Materials	21
5	Related Documentation From Texas Instruments	21

List of Figures

1	Driver Board and LED Board Connections	3
2	TLC59116 EVM Software Start-up Screen	6
3	TLC59116EVM-390 Schematic - Sheet 1	10
4	TLC59116EVM-390 Schematic - Sheet 2	11
5	RGBLEDEVM-249 Schematic	12
6	TLC59116EVM-390 Assembly Layer Routing	13
7	Top Layer Routing	14
8	Layer 2 Routing	15
9	Layer 3 Routing	16
10	Bottom Layer Routing	17
11	Assembly Layer Routing	18
12	Top Layer Routing	19
13	Bottom Layer Routing	20

List of Tables

1	HPA390 Bill of Materials	21
2	HPA249A Bill of Materials	21

1 Introduction

The TLC59116 is an I²C bus-controlled, 16-channel LED driver that is optimized for red/green/blue/amber (RGBA) color mixing and backlight application for amusement products. Each LED output has its own 8-bit resolution (256 steps), fixed-frequency, individual PWM controller that operates at 97 kHz, with a duty cycle that is adjustable from 0% to 99.6%. The individual PWM controller allows each LED to be set to a specific brightness value. An additional 8-bit resolution (256 steps) group PWM controller has both a fixed frequency of 190 Hz and an adjustable frequency between 24 Hz to once every 10.73 seconds, with a duty cycle that is adjustable from 0% to 99.6%. The group PWM controller dims or blinks all LEDs with the same value.

1.1 Requirements

In order to operate this EVM, the following components must be connected and properly configured. All components, software, and connectors are supplied in the EVM except for the host computer and the dc power supply.

1.1.1 Software

Texas Instruments has provided a compact disc in the EVM kit that contains the software necessary to evaluate the TLC59116EVM. Check the TLC59116 product folder on the Texas Instruments Web site (www.ti.com) for updates to the software.

1.1.2 Host Computer

A personal computer (PC) with a USB port is required to operate this EVM. The TLC59116 software runs on the PC and communicates with the EVM via the PC's USB port.

Personal Computer Requirements

- Windows™ 2000 or Windows XP operating system
- USB port
- Minimum of 30 MB of free hard disk space (100 MB recommended)
- Minimum of 256 MB of RAM

1.1.3 Power Supply Requirements

DC power supply capable of delivering 3.3 V at 1.5 A is required to power the EVM

1.1.4 Printed-Circuit Board Assemblies

The TLC59116EVM-390 kit contains two printed-circuit boards (PCB): HPA390 (Driver board) and HPA249 (LED board). The Driver board contains the TLC59116 integrated circuits (IC) and their required external components. This board contains several jumpers and connectors that enable you to customize the board for specific operating conditions. The LED board contains 16 LEDs, each with three individual LEDs in the same package: a red, a green, and a blue LED. The orderable Texas Instruments part number for this PCB is RGBLEDEVM-249. The EVM is designed to directly drive the LED board. The customer can also remove the LED board to drive a custom LED board. Figure 1 shows how these boards are connected.

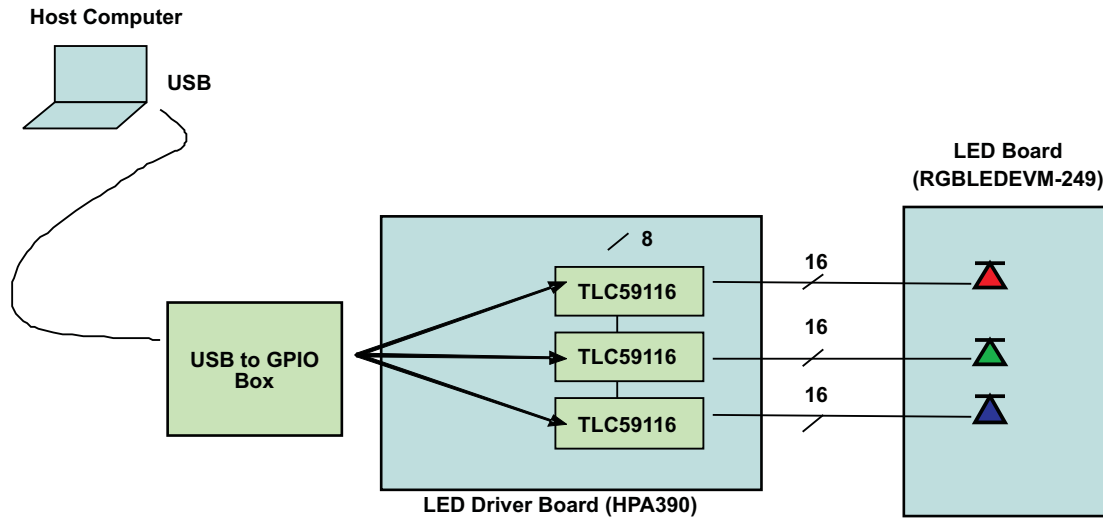


Figure 1. Driver Board and LED Board Connections

The user's computer connects to the LED Driver board with a USB cable and communicates through an I²C bus via the USB to GPIO box. The TLC59116 ICs exchange data with the host computer through the USB and drive the LED board accordingly.

2 Setup

This section describes the jumpers and connectors on the EVM as well as how to properly connect, set up, and use the TLC59116EVM-390.

2.1 Input / Output Connector Descriptions

2.1.1 J1 – USB to GPIO Box

This box connects the EVM to the host PC's USB port through an I²C Bus.

2.1.2 J2 – LED Connector

This connector mates to the HPA249 LED board. The user can also connect a custom board to this connector with a standard 30-pin ribbon cable with 0.1-inch pin-to-pin spacing. In order to minimize stray inductance and ringing on the output traces, connections to this connector must be as short as possible.

2.1.3 J3 – LED Connector

This connector mates to the HPA249 LED board. The user can also connect a custom board to this connector with a standard 30-pin ribbon cable with 0.1-inch pin-to-pin spacing. In order to minimize stray inductance and ringing on the output traces, connections to this connector must be as short as possible.

2.1.4 J4 – VIN

This is the positive input supply to the EVM. Connect the dc power supply (at least 3.3 V) to this end. To minimize power dissipation, the input voltage must be as low as possible. The leads to the input supply must be twisted and kept as short as possible to minimize EMI transmission.

2.1.5 J5 – GND Connector

This is the return for the input supply to the EVM. The leads to the input supply must be twisted and kept as short as possible to minimize EMI transmission.

2.1.6 J6 – Input Power Connector

This is a right-angle miniature power jack with a 3.5-mm-diameter connection. The user uses this connector to supply input power to the EVM from an ac-to-dc power adapter. The outer pin on the connector is connected directly to J8 (GND). When using an ac-to-dc power adapter, ensure that the power adapter's output voltage is stable and does not drop below 5 V when loaded.

2.1.7 JP1 – Red LED

This jumper must be shorted to connect the red LED driver's OUT15 pin to the red LED. This jumper can be opened to measure the current flowing into the OUT15 pin from the red LED. In this EVM, the default current is set to approximately 19 mA using $R_{\text{ext}} = 931 \Omega$.

2.1.8 JP2 – Green LED

This jumper must be shorted to connect the green LED driver's OUT15 pin to the green LED. This jumper can be opened to measure the current flowing into the OUT15 pin from the green LED. In this EVM, the default current is set to approximately 19 mA using $R_{\text{ext}} = 931 \Omega$.

2.1.9 JP3 – BLUE LED

This jumper must be shorted to connect the blue LED driver's OUT15 pin to the blue LED. This jumper can be opened to measure the current flowing into the OUT15 pin from the blue LED. In this EVM, the default current is set to approximately 19 mA using $R_{\text{ext}} = 931 \Omega$.

2.2 Software Setup

If installing from a compact disc (CD), insert the CD and run Setup.exe, following all the prompts to install the software .

If installing from the World Wide Web, go to the URL www.ti.com.

Note: This installation page is best viewed with Microsoft Internet Explorer™ browser (It may not work correctly with other browsers).

When you click on the install button, your PC gives you a security warning and asks if you want to install this application. Select Install to proceed.

With both types of installation, the software attempt to install the Microsoft Dot Net Framework 2.0 (if it is not already installed). This framework is required for the software to run.

After installation, the software runs automatically.

During future use of the software, it may prompt you to install a new version if it becomes available on the TI Web site.

Note: Verisign™ code signing is used to prevent any malicious code from changing this application. If at any time in the future the binaries are modified, the code will no longer attempt to run.

2.3 Hardware Setup

Install one shorting jumper each across JP1, JP2, and JP3. Connect the LED board (HPA249) to the LED Driver board (HPA390).

Connect the LED Driver board to the host computer using the USB interface adapter.

Using either the J4 and J5 input power connectors or the J6 power jack connector, connect an input voltage to the TLC59116EVM board. The TLC59116 uses an input voltage between 5 V and 17 V. Set the input supply current limit to 1.5 A. If using a laboratory supply, use at least 18 AWG twisted wire. Note that some ac/dc power adapters do not provide clean power. Ensure that the input voltage is well regulated to avoid intermittent communication problems.

CAUTION

Hot plugging the input supply with long leads can generate transients on the input supply bus that exceed the maximum ratings of the EVM. The input supply must be connected before it is turned on.

Turn on the input supply voltage.

3 Operation

This section provides instructions on how to turn on the TLC59116EVM and operate the software.

3.1 Operation

The user can now run the GUI software on the host computer to change the LED programming with the easy-to-use graphical interface.

3.1.1 Running the Software

Click on the *TLC59116 EVM software* icon on the host computer to start the software. If the host computer shows no icon, then use the **start** button in the lower left corner of the screen to browse the program folders to find the software. The default directory for software installation is *Program Files, Texas Instruments TLC59116 EVM Software*. The executable file name is *TLC59116 EVM Software.exe*. Once started, the software checks the firmware in the DSP board to ensure that it is compatible with the software. If the firmware is incompatible, the software gives the user instructions on how to reprogram it. Once the software is started and communication is established between the GUI and the EVM, the user can use the graphical interface to program the LEDs. If the EVM is properly connected, the software screen looks like [Figure 2](#) when first opened.

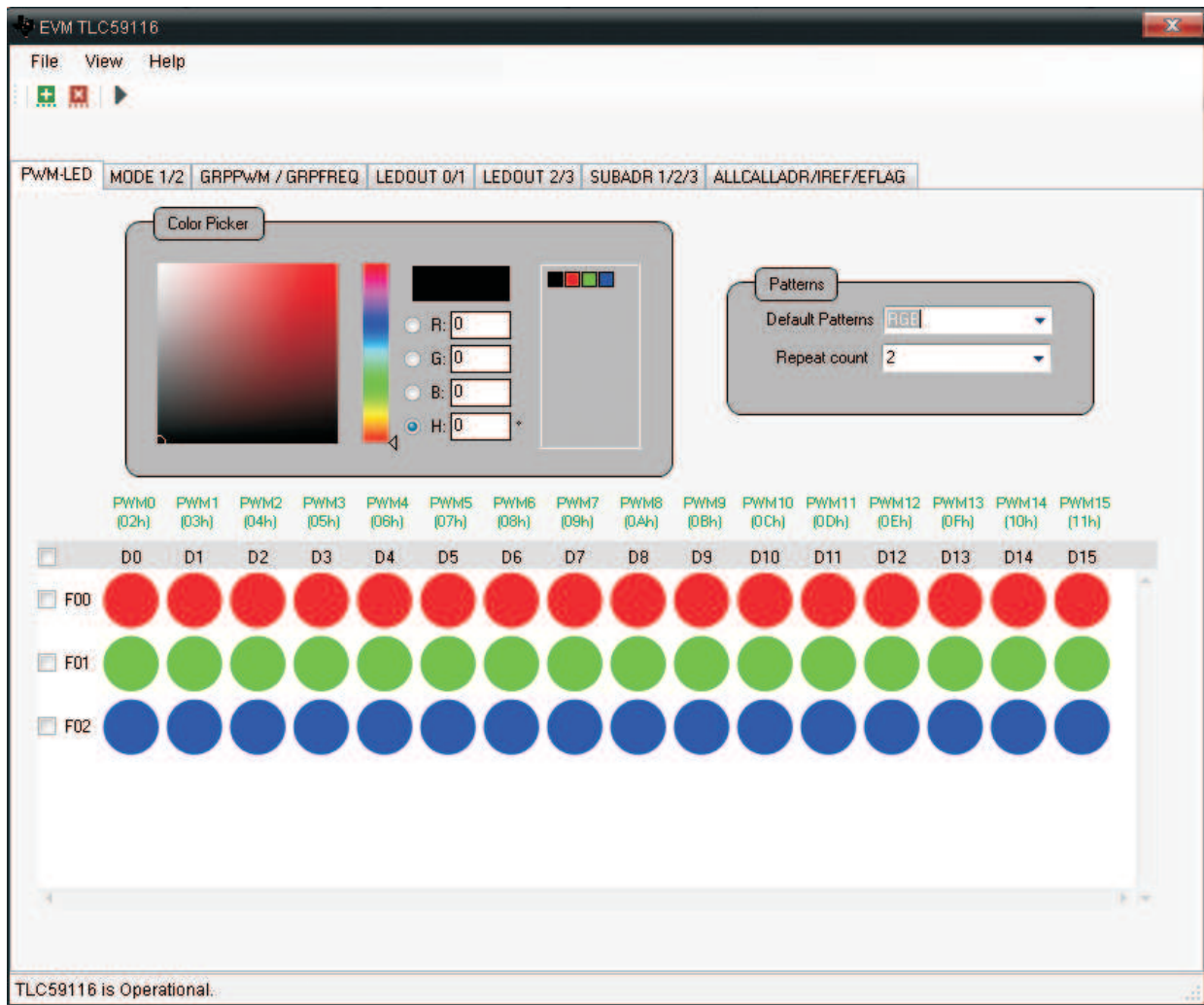
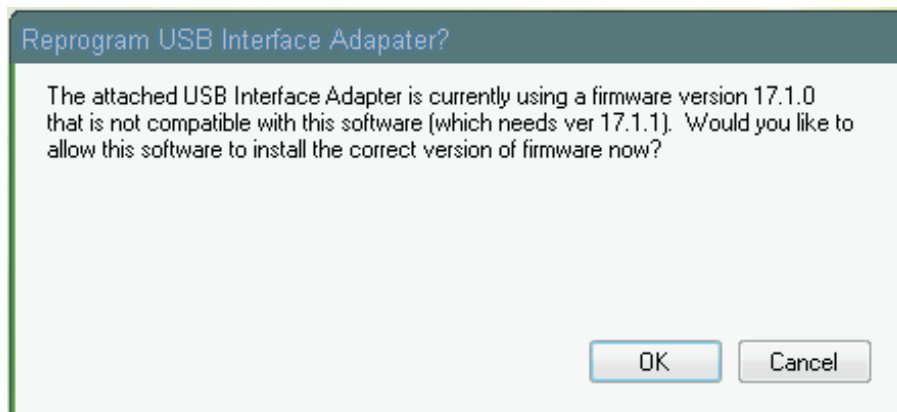


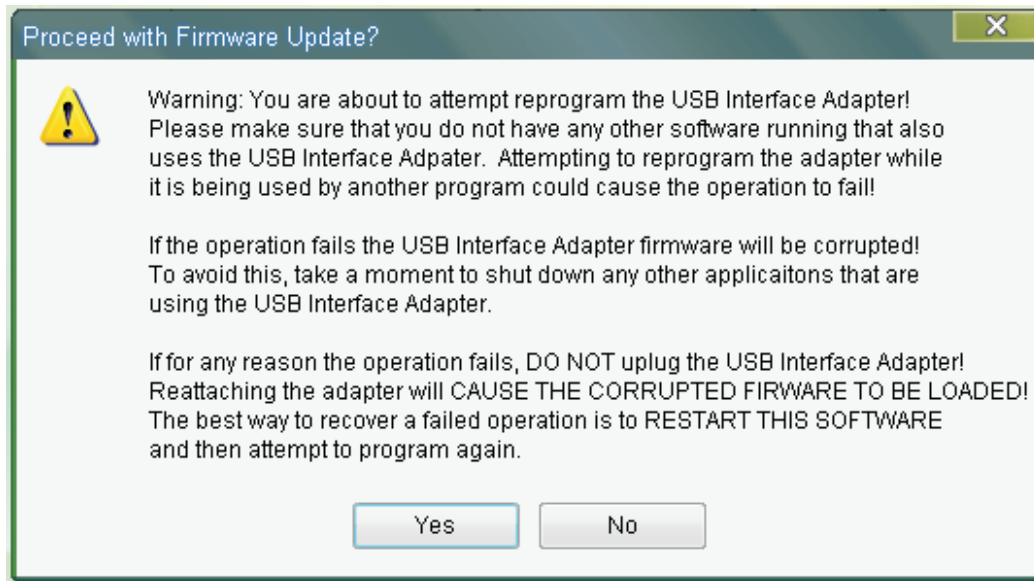
Figure 2. TLC59116 EVM Software Start-up Screen

3.1.2 Firmware Installation

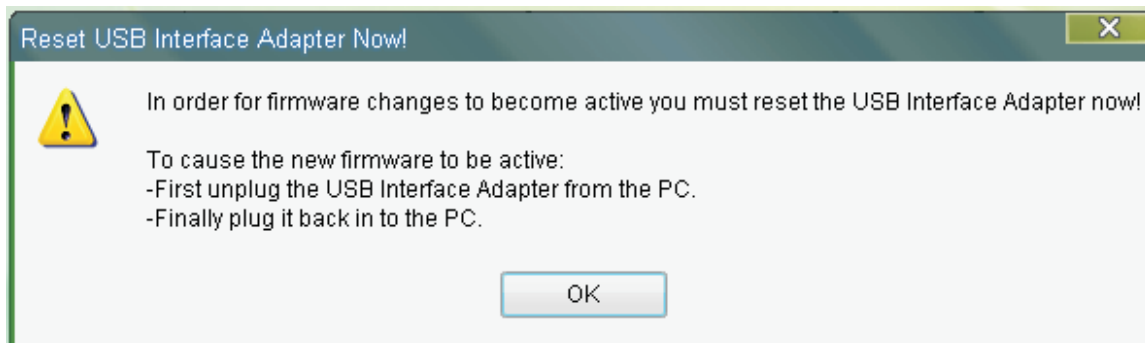
If you are using the GPIO box for the first time with your computer, a window pops up asking for the installation of the correct version of the firmware. The pop up window appears as follows:



Click on OK button so that the correct firmware version is installed for the GPIO box. When you click OK, another window pops up which appears as follows:



Click on **Yes**. The firmware is installed, and the following window appears.



Click on **OK**. Now unplug the USB cable from the computer, and plug it again. Also, close the software and start it again. The software is **NOW** ready. Note that these steps are necessary to be followed only once for a particular firmware. These windows do not pop up each time the software is used with a GPIO box with a particular firmware.

3.1.3 Software Features

3.1.3.1 Patterns

This window provides the user with several preprogrammed LED frame patterns. Choosing a pattern immediately programs the LED Frames window with the pattern and then displays the pattern with the LEDs.

3.1.3.2 Color Picker

This window allows the user to choose the red, green, and blue PWM value for each LED. The software provides three options for choosing the color for an LED. The user can manually enter the PWM values into the three text boxes, use the mouse to pick colors from the color bars, or use the mouse to click on a color from the custom color pallet. The color chosen in the Color Picker window is immediately displayed in the LEDs that are highlighted in the LED Frames window. The user can add custom colors to the pallet by dragging the current color to the custom color pallet. Custom colors can be deleted by right-clicking on the color to be removed.

3.1.3.3 LED Frames

This window shows the individual frames that are displayed by the LEDs. Changes to the current color in the Color Picker automatically update the selected LEDs or frames in the LED Frames window. Changes in the LED Frame are immediately written to the EVM and displayed by the LEDs. The check boxes allow easy selection of an entire frame or all frames. The user can select a single LED or select multiple LEDs by holding the <shift> or <ctrl> buttons on the host computer's keyboard while clicking on the LEDs. The Repeat box in the right side of the LED Frames window tells the EVM how many times to display that frame before moving to the next frame. Note that due to manufacturing tolerances in LED brightness and color, the LED colors displayed in this window are only approximate to the actual LED color on the EVM.

3.1.3.4 File – Save and Load

This tab allows the user to save and load custom frames. The file also saves all user-selectable settings such as operating frequency and Global Brightness settings.

3.1.3.5 View – LED Display Mode

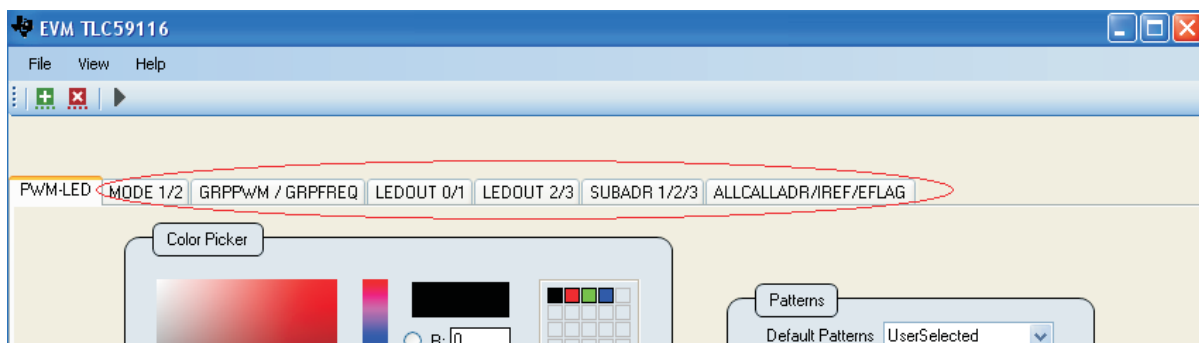
When Solid display mode is chosen, the pixel in the LED Frames window shows the LED pixels and their approximate color on the EVM. This color is generated by the mixing of the three individual LED colors. When RGB display mode is chosen, the pixel shows the relative intensity of each individual LED that makes up each pixel.

3.1.3.6 Information Bar – EVM Status

The information bar displays whether or not the GUI detects the EVM hardware.

3.1.3.7 Other Tabs

In addition to the options previously described, additional tabs as shown in the following figure. These tabs provide the user with full control of all the TLC59116 internal registers. The tab names correspond to the register names as defined in the data sheet.



Each tab contains a register as shown in the following illustration.



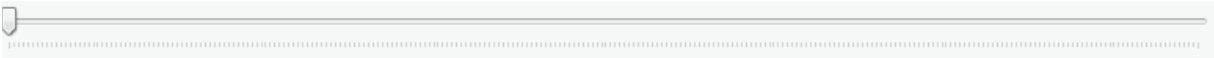
You can set or reset the 8 bits manually by clicking on them, and then clicking on the write button to the left of these bits. To determine the current status of a register, click the leftmost read button, and the register shows its current status.

In some particular registers, some predefined settings are indicated below the registers. An explanation of these particular cases follow.

Particular Cases:

1. **Mode1/2:** In this tab, in addition to the manual control of the registers, users can directly control the registers for some predefined tasks like:
 - a. Response to I²C bus address
 - b. Normal/Low Power mode
 - c. Enable/Clear status flag
 - d. Dimming/Blinking
 - e. Outputs change

All these conditions are clearly indicated below the registers.
2. **GRPPWM/GRPFREQ:** The Group PWM duty cycle and the Group PWM frequency can be directly set by using the seek button shown above the respective register. The seek button appears as follows:



3. **LEDOUT0/1/2/3:** In the two tabs LEDOUT0/1 and LEDOUT2/3, in addition to directly setting the individual bits from the registers, four options for every LED are given below the register. The four options are:
 - a. Default Power State
 - b. Brightness and Dimming not controlled
 - c. Brightness controlled by using PWM
 - d. Brightness and Dimming controlled

When a user selects any of these conditions, the register bits are arranged for the selected particular condition.
4. **IREF:** In the IREF register, the current multiplier and the HC can be set directly to either high or low, using the button below IREF registers.

All the preceding settings are to be done separately for the Red part, the Green part, and the Blue Part, which is selected from the drop-down box at the very top of the window.

4 Schematics, Board Layouts, and Bills of Materials

This section provides the TLC59116EVM-390 and RGBLEDEM-249 schematics, board layouts, and bills of materials illustrations.

4.1 Schematics

The schematic for TLC59116EVM-390 appears as [Figure 3](#) and [Figure 4](#).

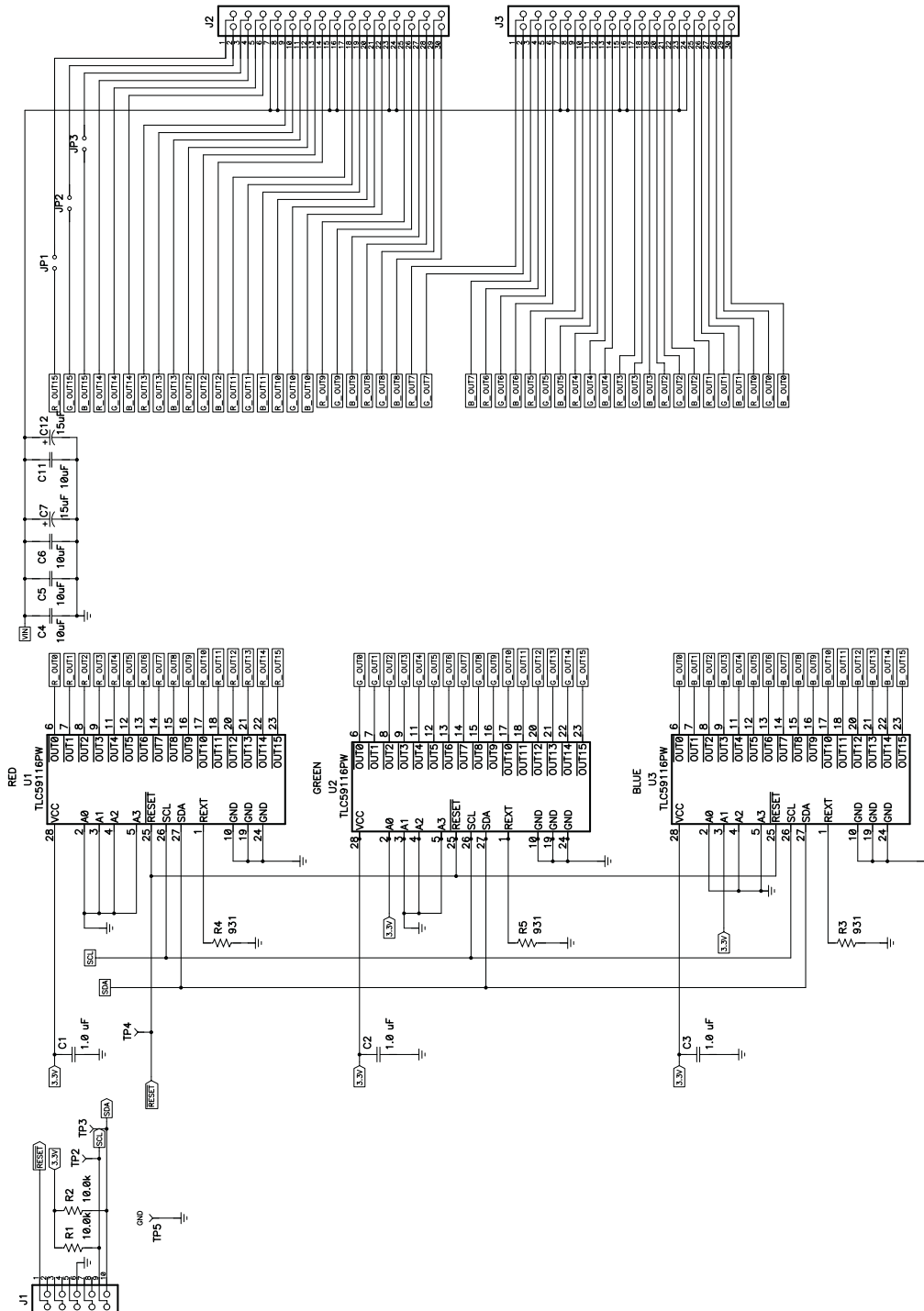


Figure 3. TLC59116EVM-390 Schematic - Sheet 1

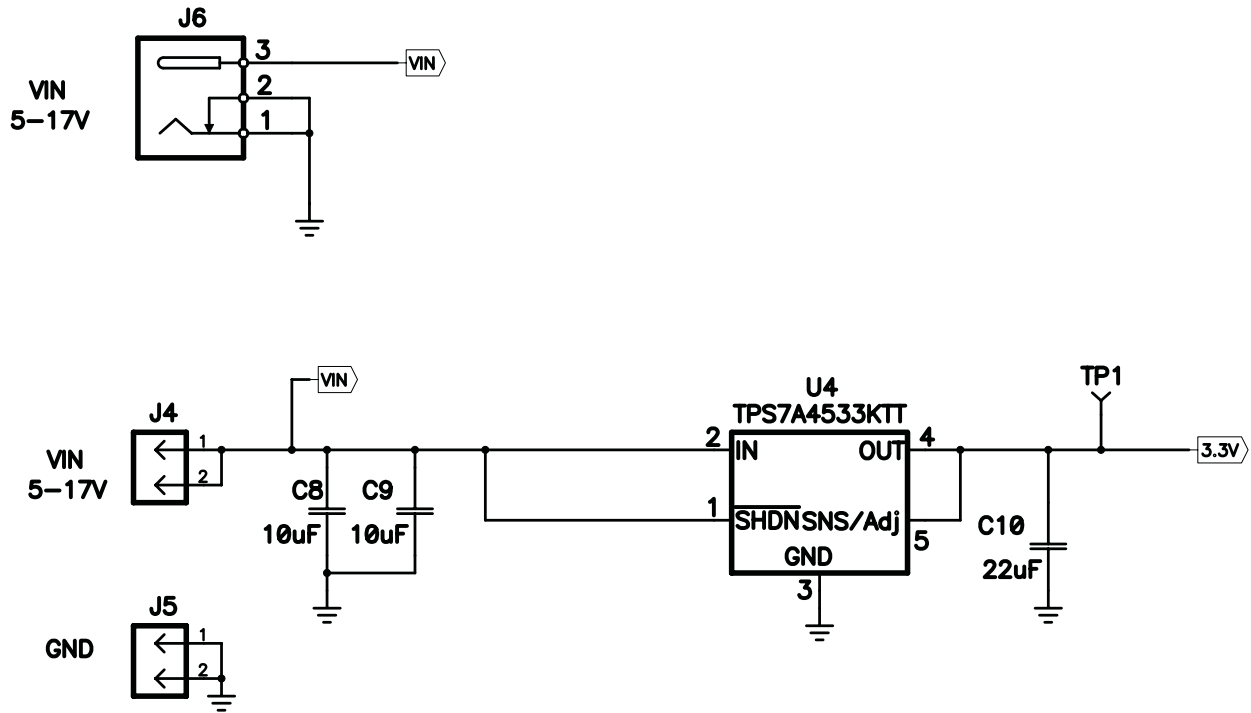


Figure 4. TLC59116EVM-390 Schematic - Sheet 2

The schematic for RGBLEDEVM-249 appears as Figure 5 .

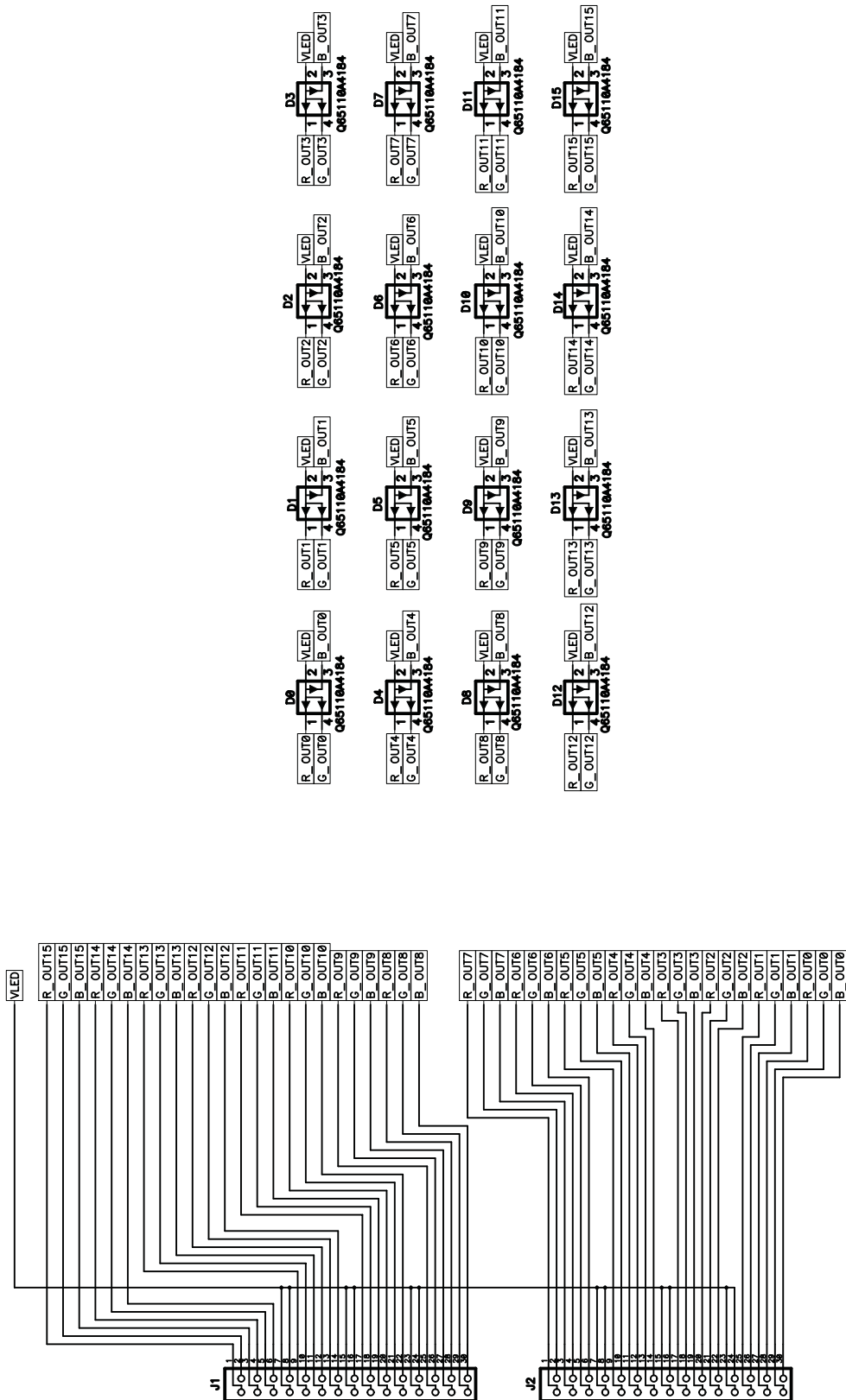


Figure 5. RGBLEDEVM-249 Schematic

4.2 Layouts

Figure 6 and Figure 10 show the board layout for the TLC59116EVM-390.

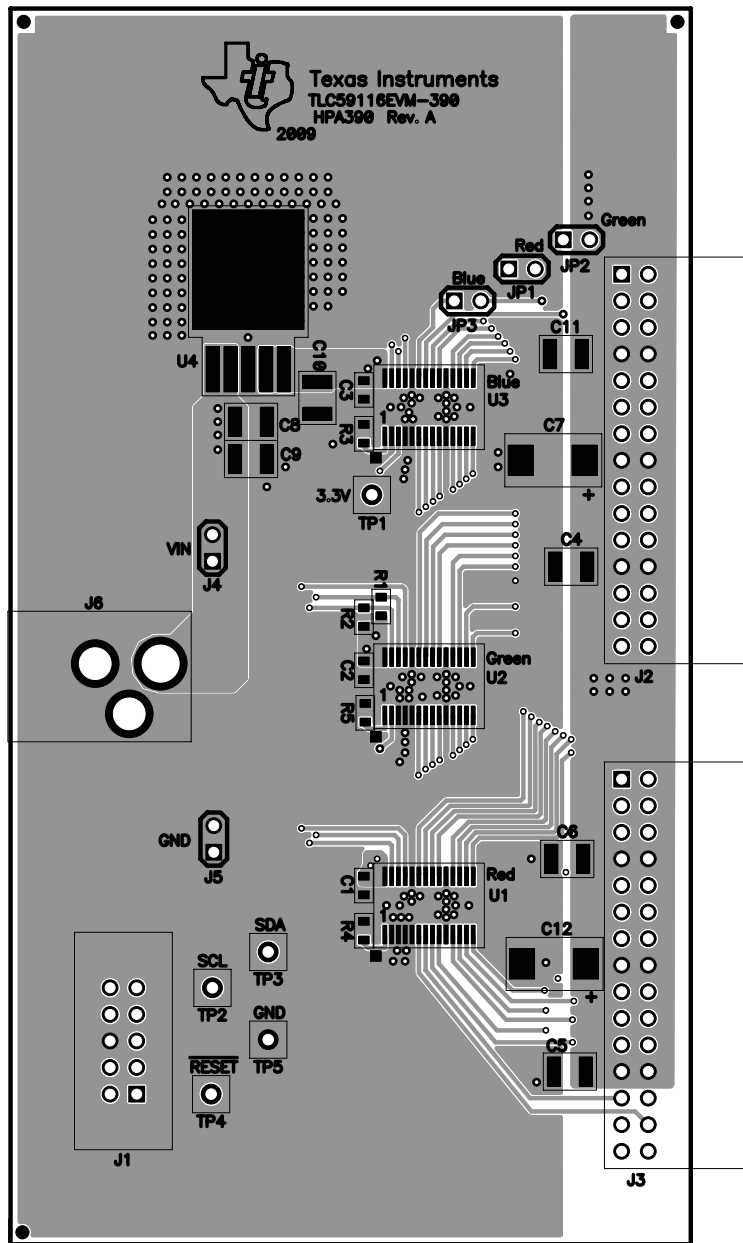


Figure 6. TLC59116EVM-390 Assembly Layer Routing

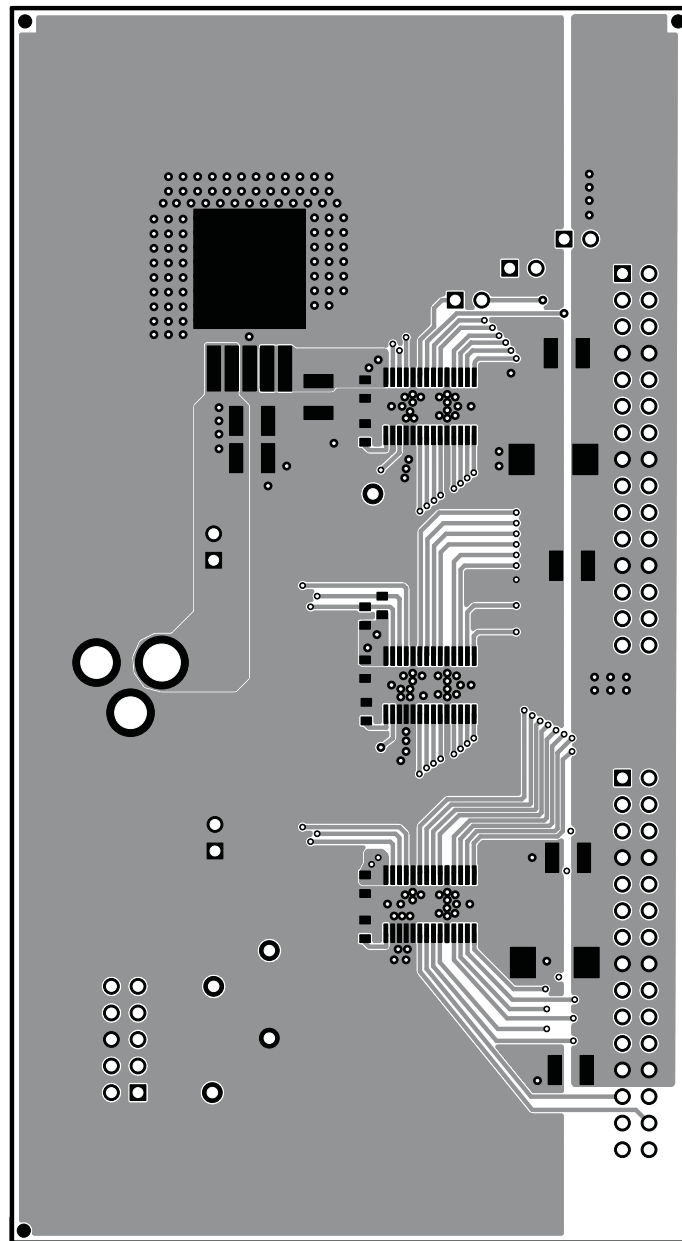


Figure 7. Top Layer Routing

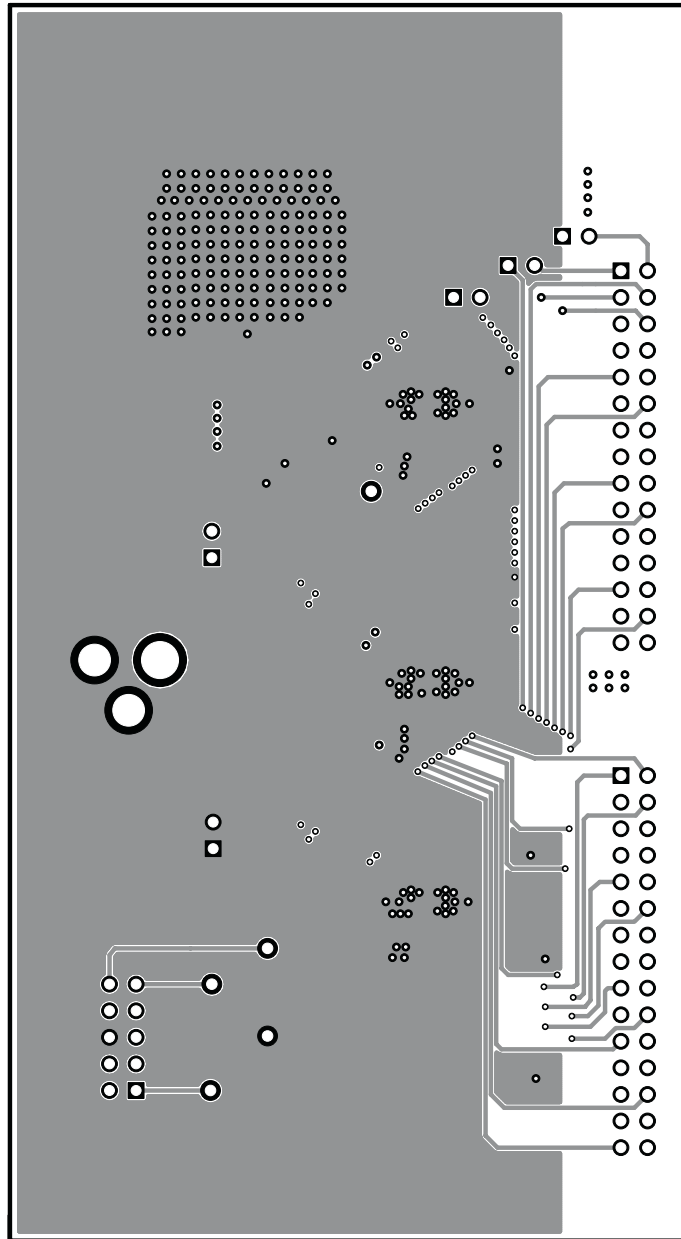


Figure 8. Layer 2 Routing

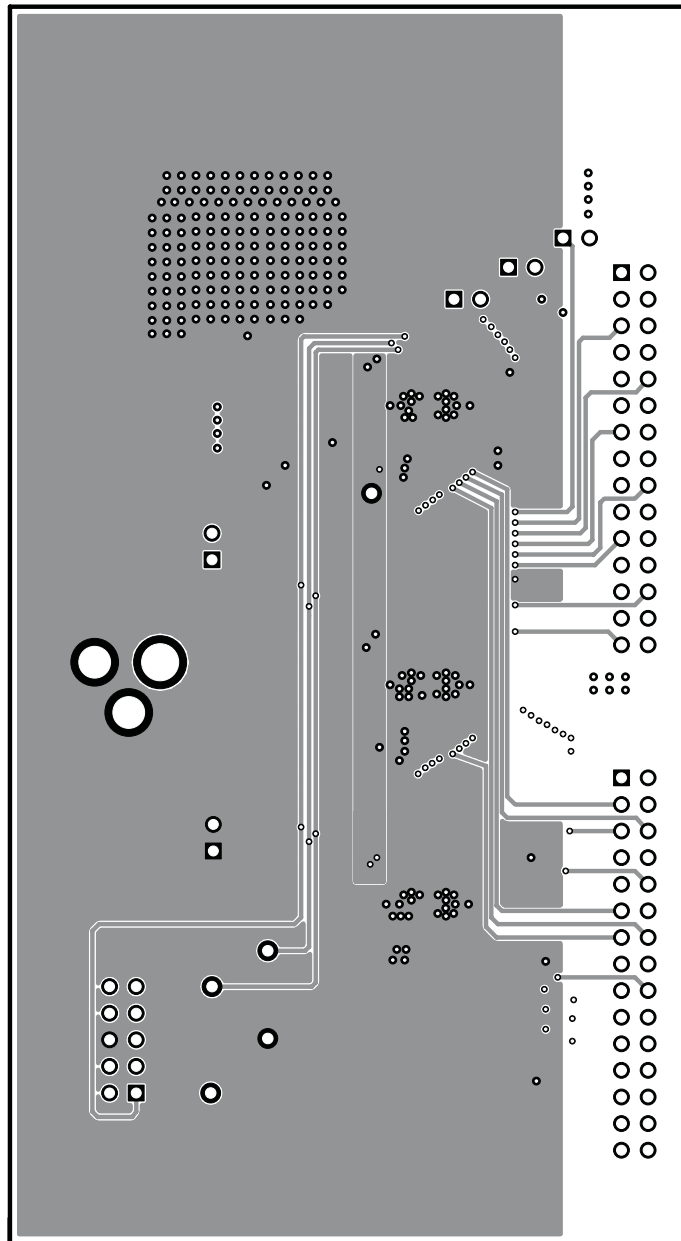


Figure 9. Layer 3 Routing

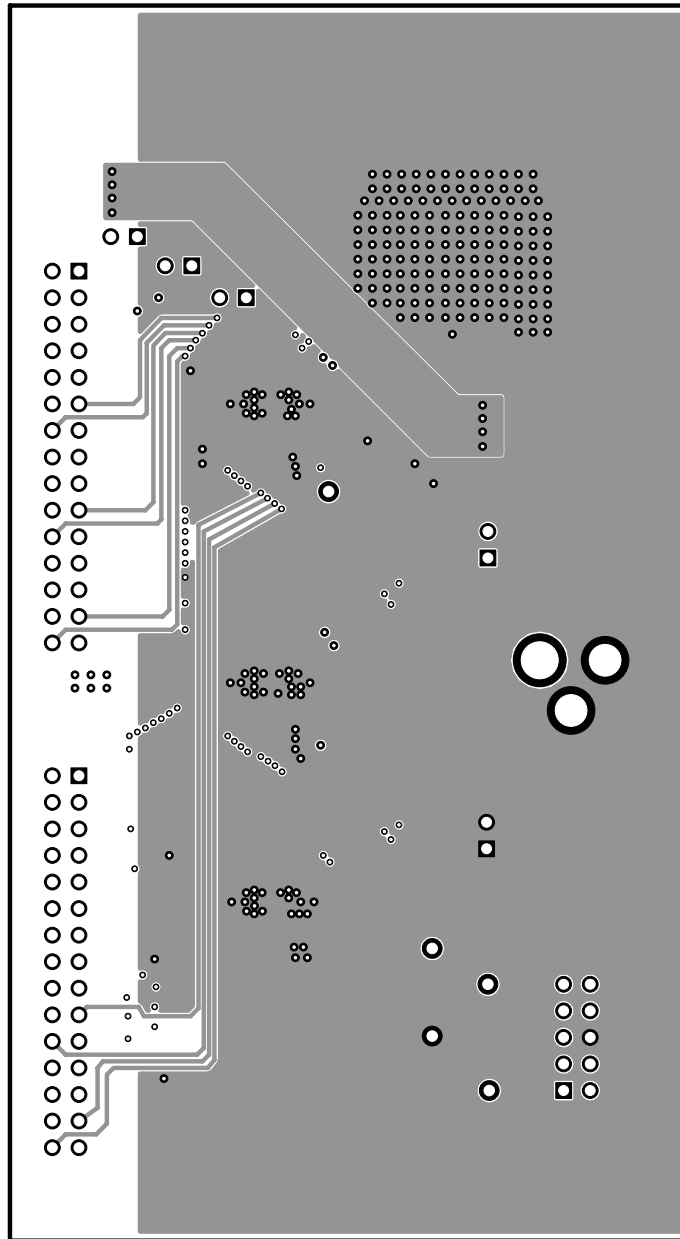


Figure 10. Bottom Layer Routing

Figure 11 through Figure 13 show the board layout for the LED board, RGBLEDEVM-249.

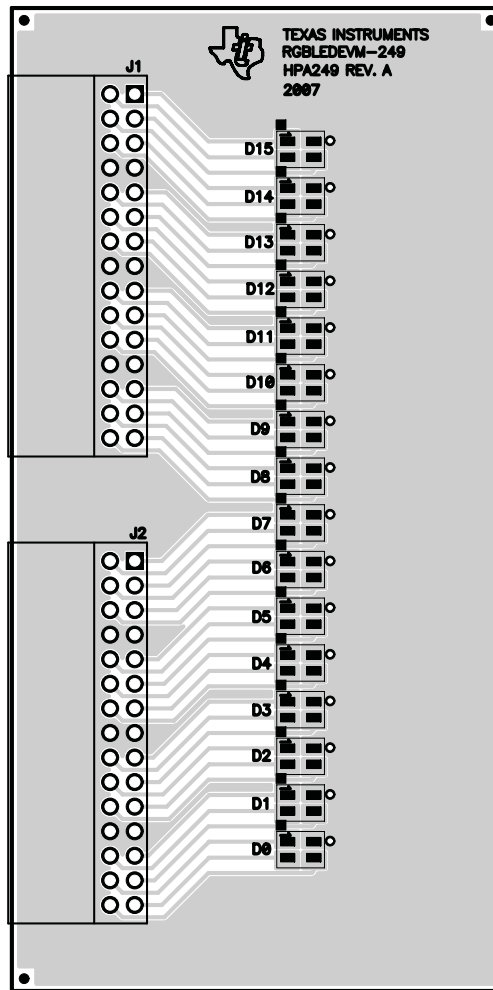


Figure 11. Assembly Layer Routing

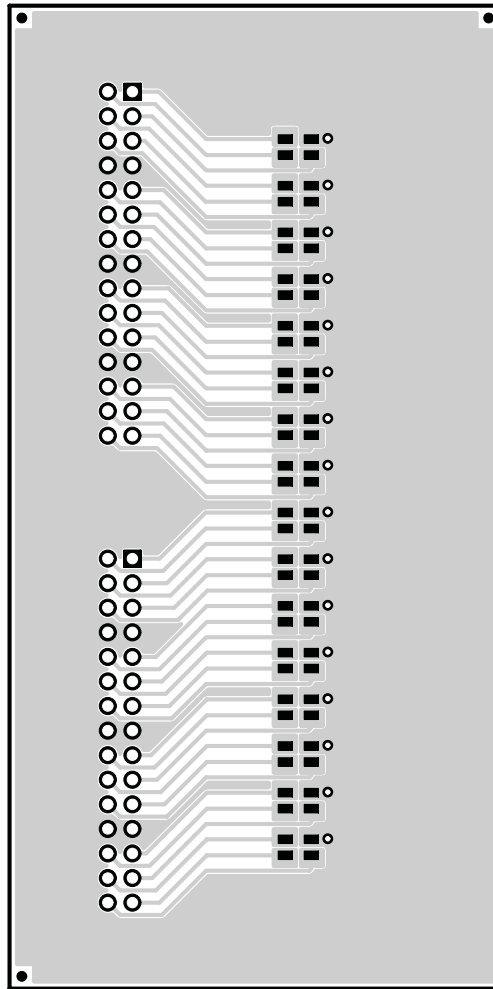


Figure 12. Top Layer Routing

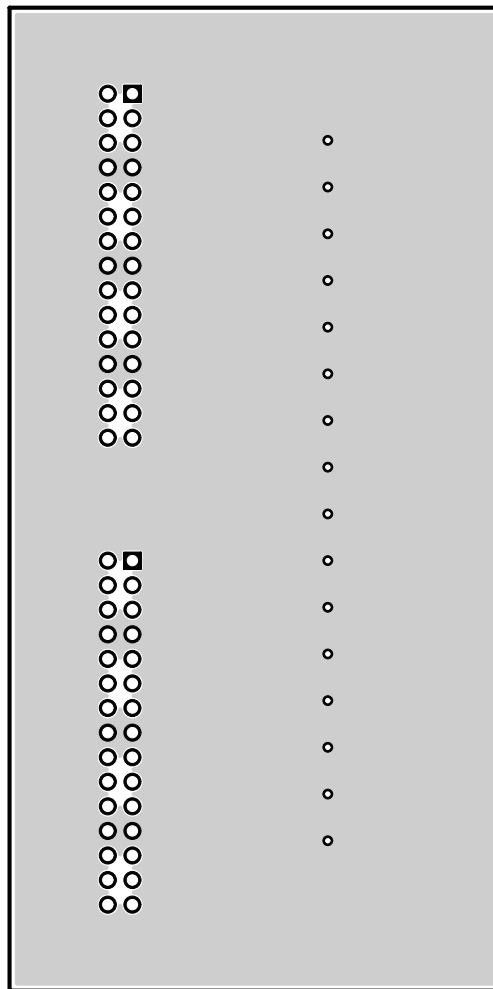


Figure 13. Bottom Layer Routing

4.3 Bills of Materials

Table 1. HPA390 Bill of Materials

Count	RefDes	Value	Description	Size	Part Number	MFR
3	C1, C2, C3	1.0 μ F	Capacitor, Ceramic, 6.3V, X5R, 10%	0603	C3216X5R0J105KT	TDK
1	C10	22 μ F	Capacitor, Ceramic, 25V, X5R, 10%	1210	GRM32ER61E226KE15L	Murata
6	C4, C5, C6, C8, C9, C11	10 μ F	Capacitor, Ceramic, 25V, X5R, 10%	1210	GRM32DR61E106KA12L	Murata
2	C7, C12	15 μ F	Capacitor, POSCAP, 25V, 90milliohm, [temp], 20%	7343(D)	25TQC15MV	Sanyo
1	J1	2510-6002UB	Connector, Male Straight 2x5 pin, 100mil spacing, 4 Wall	0.338 x 0.788 inch	2510-6002UB	3M
2	J2, J3	PTC30DBAN	Header, Male 2x15-pin, 100mil spacing (36-pin strip), Right-Angle	0.100 x 15 x 2 inch	PEC30DBAN	Sullins
2	J4, J5	PTC36SAAN	Header, 2-pin, 100mil spacing, (36-pin strip)	0.100 x 2 inch	PTC36SAAN	Sullins
1	J6	RAPC 712	Connector, Pin dia.2.5mm, DC Jack,	0.57 x 0.35 inch	RAPC 712	Switchcraft
3	JP1, JP2, JP3	PTC36SAAN	Header, 2-pin, 100mil spacing, (36-pin strip)	0.100 x 2 inch	PTC36SAAN	Std
2	R1, R2	10k	Resistor, Chip, 1/16W, 1%	0603	Std	Std
3	R3, R4, R5	931	Resistor, Chip, 1/16W, 1%	0603	Std	Std
4	TP1 - TP4	5000	Test Point, Red, Thru Hole Color Keyed	0.100 x 0.100 inch	5000	Keystone
1	TP5	5001	Test Point, Black, Thru Hole Color Keyed	0.100 x 0.100 inch	5001	Keystone
3	U1, U2, U3	TLC59116PW	IC, 1.5-A Low-Noise Fast-Transient-Response Low-Dropout Regulator	TSSOP-28	TLC59116PW	TI
1	U4	TPS7A4533KTT	IC, Low-Noise Fast-Transient-Response 1.5-A LDO Voltage Regulator	TO-263-5	TPS7A4533KTT	TI
3	—		Shunt, 100-mil, Black	0.100	929950-00	3M
1	—		PCB, 4.65 x 2.56 x 0.062 inch		HPA390	Any

Table 2. HPA249A Bill of Materials

Count	RefDes	Value	Description	Size	Part Number	MFR
16	D0–D15	Q65110A4184	Diode, LED, 20mA, Common Anode (LATBT66B)	0.118 x 0.134	Q65110A4184	Osram
2	J1, J2	PPTC152LJBN-RC	Header, female, 2x5-pin, .100 inch, RA	0.500 x 1.520 inch	PPTC152LJBN-RC	Sullins
1	—		PCB, 2 ln x 4 ln x 0.062 ln		HPA249A	Any

5 Related Documentation From Texas Instruments

- *TLC59116, 16-Channel Fm+ \dot{P} C-Bus Constant-Current LED Sink Driver* data sheet ([SLDS157](#))
- TLC59116 Software

EVALUATION BOARD/KIT IMPORTANT NOTICE

Texas Instruments (TI) provides the enclosed product(s) under the following conditions:

This evaluation board/kit is intended for use for **ENGINEERING DEVELOPMENT, DEMONSTRATION, OR EVALUATION PURPOSES ONLY** and is not considered by TI to be a finished end-product fit for general consumer use. Persons handling the product(s) must have electronics training and observe good engineering practice standards. As such, the goods being provided are not intended to be complete in terms of required design-, marketing-, and/or manufacturing-related protective considerations, including product safety and environmental measures typically found in end products that incorporate such semiconductor components or circuit boards. This evaluation board/kit does not fall within the scope of the European Union directives regarding electromagnetic compatibility, restricted substances (RoHS), recycling (WEEE), FCC, CE or UL, and therefore may not meet the technical requirements of these directives or other related directives.

Should this evaluation board/kit not meet the specifications indicated in the User's Guide, the board/kit may be returned within 30 days from the date of delivery for a full refund. **THE FOREGOING WARRANTY IS THE EXCLUSIVE WARRANTY MADE BY SELLER TO BUYER AND IS IN LIEU OF ALL OTHER WARRANTIES, EXPRESSED, IMPLIED, OR STATUTORY, INCLUDING ANY WARRANTY OF MERCHANTABILITY OR FITNESS FOR ANY PARTICULAR PURPOSE.**

The user assumes all responsibility and liability for proper and safe handling of the goods. Further, the user indemnifies TI from all claims arising from the handling or use of the goods. Due to the open construction of the product, it is the user's responsibility to take any and all appropriate precautions with regard to electrostatic discharge.

EXCEPT TO THE EXTENT OF THE INDEMNITY SET FORTH ABOVE, NEITHER PARTY SHALL BE LIABLE TO THE OTHER FOR ANY INDIRECT, SPECIAL, INCIDENTAL, OR CONSEQUENTIAL DAMAGES.

TI currently deals with a variety of customers for products, and therefore our arrangement with the user **is not exclusive.**

TI assumes **no liability for applications assistance, customer product design, software performance, or infringement of patents or services described herein.**

Please read the User's Guide and, specifically, the Warnings and Restrictions notice in the User's Guide prior to handling the product. This notice contains important safety information about temperatures and voltages. For additional information on TI's environmental and/or safety programs, please contact the TI application engineer or visit www.ti.com/esh.

No license is granted under any patent right or other intellectual property right of TI covering or relating to any machine, process, or combination in which such TI products or services might be or are used.

FCC Warning

This evaluation board/kit is intended for use for **ENGINEERING DEVELOPMENT, DEMONSTRATION, OR EVALUATION PURPOSES ONLY** and is not considered by TI to be a finished end-product fit for general consumer use. It generates, uses, and can radiate radio frequency energy and has not been tested for compliance with the limits of computing devices pursuant to part 15 of FCC rules, which are designed to provide reasonable protection against radio frequency interference. Operation of this equipment in other environments may cause interference with radio communications, in which case the user at his own expense will be required to take whatever measures may be required to correct this interference.

EVM WARNINGS AND RESTRICTIONS

It is important to operate this EVM within the input voltage range of 3.6 V to 17 V.

Exceeding the specified input range may cause unexpected operation and/or irreversible damage to the EVM. If there are questions concerning the input range, please contact a TI field representative prior to connecting the input power.

Applying loads outside of the specified output range may result in unintended operation and/or possible permanent damage to the EVM. Please consult the EVM User's Guide prior to connecting any load to the EVM output. If there is uncertainty as to the load specification, please contact a TI field representative.

During normal operation, some circuit components may have case temperatures greater than 60°C. The EVM is designed to operate properly with certain components above 60°C as long as the input and output ranges are maintained. These components include but are not limited to linear regulators, switching transistors, pass transistors, and current sense resistors. These types of devices can be identified using the EVM schematic located in the EVM User's Guide. When placing measurement probes near these devices during operation, please be aware that these devices may be very warm to the touch.

Mailing Address: Texas Instruments, Post Office Box 655303, Dallas, Texas 75265
Copyright © 2009, Texas Instruments Incorporated

IMPORTANT NOTICE

Texas Instruments Incorporated and its subsidiaries (TI) reserve the right to make corrections, modifications, enhancements, improvements, and other changes to its products and services at any time and to discontinue any product or service without notice. Customers should obtain the latest relevant information before placing orders and should verify that such information is current and complete. All products are sold subject to TI's terms and conditions of sale supplied at the time of order acknowledgment.

TI warrants performance of its hardware products to the specifications applicable at the time of sale in accordance with TI's standard warranty. Testing and other quality control techniques are used to the extent TI deems necessary to support this warranty. Except where mandated by government requirements, testing of all parameters of each product is not necessarily performed.

TI assumes no liability for applications assistance or customer product design. Customers are responsible for their products and applications using TI components. To minimize the risks associated with customer products and applications, customers should provide adequate design and operating safeguards.

TI does not warrant or represent that any license, either express or implied, is granted under any TI patent right, copyright, mask work right, or other TI intellectual property right relating to any combination, machine, or process in which TI products or services are used. Information published by TI regarding third-party products or services does not constitute a license from TI to use such products or services or a warranty or endorsement thereof. Use of such information may require a license from a third party under the patents or other intellectual property of the third party, or a license from TI under the patents or other intellectual property of TI.

Reproduction of TI information in TI data books or data sheets is permissible only if reproduction is without alteration and is accompanied by all associated warranties, conditions, limitations, and notices. Reproduction of this information with alteration is an unfair and deceptive business practice. TI is not responsible or liable for such altered documentation. Information of third parties may be subject to additional restrictions.

Resale of TI products or services with statements different from or beyond the parameters stated by TI for that product or service voids all express and any implied warranties for the associated TI product or service and is an unfair and deceptive business practice. TI is not responsible or liable for any such statements.

TI products are not authorized for use in safety-critical applications (such as life support) where a failure of the TI product would reasonably be expected to cause severe personal injury or death, unless officers of the parties have executed an agreement specifically governing such use. Buyers represent that they have all necessary expertise in the safety and regulatory ramifications of their applications, and acknowledge and agree that they are solely responsible for all legal, regulatory and safety-related requirements concerning their products and any use of TI products in such safety-critical applications, notwithstanding any applications-related information or support that may be provided by TI. Further, Buyers must fully indemnify TI and its representatives against any damages arising out of the use of TI products in such safety-critical applications.

TI products are neither designed nor intended for use in military/aerospace applications or environments unless the TI products are specifically designated by TI as military-grade or "enhanced plastic." Only products designated by TI as military-grade meet military specifications. Buyers acknowledge and agree that any such use of TI products which TI has not designated as military-grade is solely at the Buyer's risk, and that they are solely responsible for compliance with all legal and regulatory requirements in connection with such use.

TI products are neither designed nor intended for use in automotive applications or environments unless the specific TI products are designated by TI as compliant with ISO/TS 16949 requirements. Buyers acknowledge and agree that, if they use any non-designated products in automotive applications, TI will not be responsible for any failure to meet such requirements.

Following are URLs where you can obtain information on other Texas Instruments products and application solutions:

Products

Amplifiers	amplifier.ti.com
Data Converters	dataconverter.ti.com
DLP® Products	www.dlp.com
DSP	dsp.ti.com
Clocks and Timers	www.ti.com/clocks
Interface	interface.ti.com
Logic	logic.ti.com
Power Mgmt	power.ti.com
Microcontrollers	microcontroller.ti.com
RFID	www.ti-rfid.com
RF/IF and ZigBee® Solutions	www.ti.com/lprf

Applications

Audio	www.ti.com/audio
Automotive	www.ti.com/automotive
Broadband	www.ti.com/broadband
Digital Control	www.ti.com/digitalcontrol
Medical	www.ti.com/medical
Military	www.ti.com/military
Optical Networking	www.ti.com/opticalnetwork
Security	www.ti.com/security
Telephony	www.ti.com/telephony
Video & Imaging	www.ti.com/video
Wireless	www.ti.com/wireless

Mailing Address: Texas Instruments, Post Office Box 655303, Dallas, Texas 75265
Copyright © 2009, Texas Instruments Incorporated