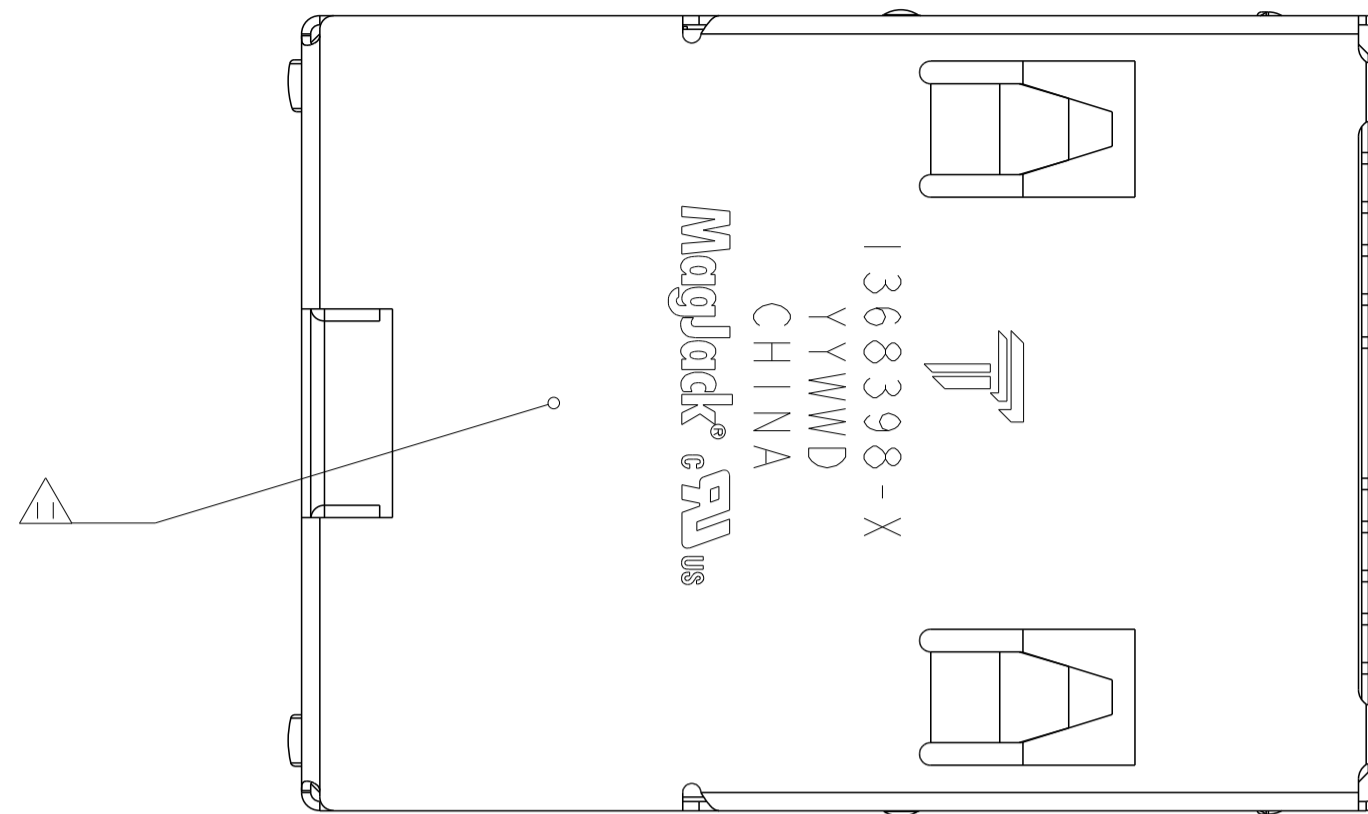
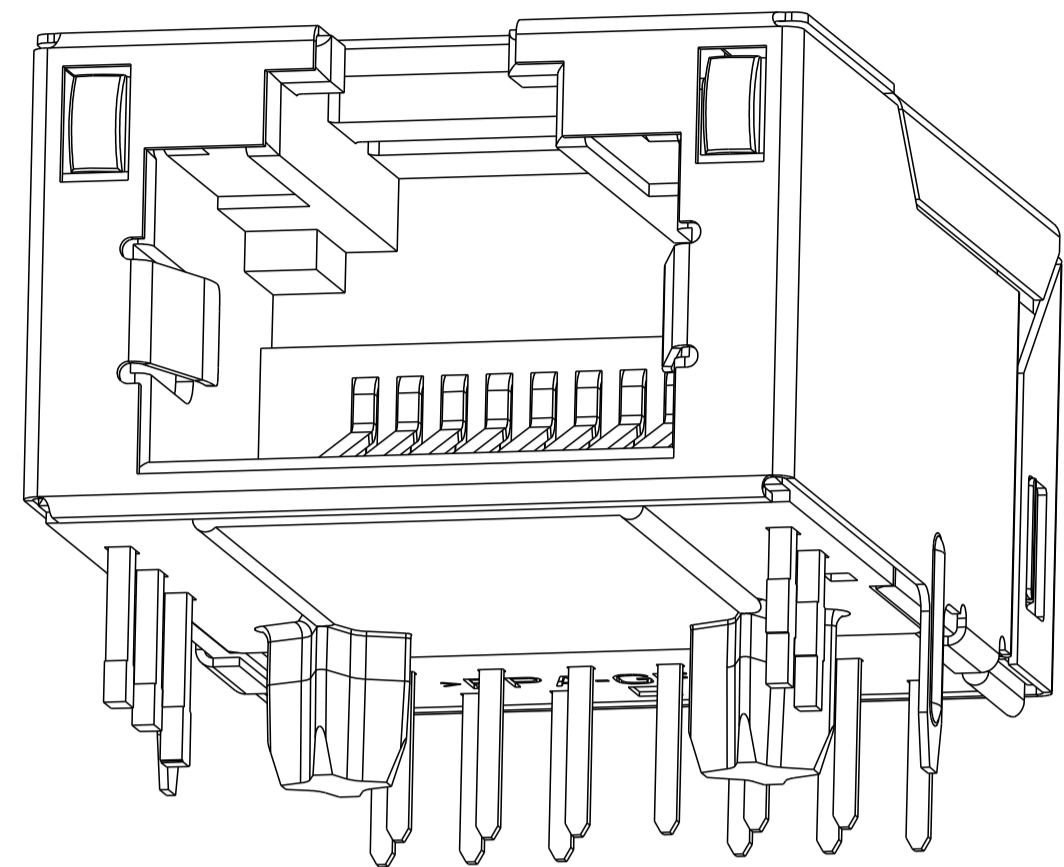


THIS DRAWING AND THE SUBJECT MATTER SHOWN THEREON ARE CONFIDENTIAL AND THE PROPERTY OF BEL/STEWART/TRP CONNECTOR AND SHALL NOT BE REPRODUCED, COPIED, OR USED IN ANY MANNER WITHOUT THE WRITTEN CONSENT OF TRP CONNECTOR.

PRODUCT MAY BE PROTECTED BY ONE OR MORE OF THE FOLLOWING US PATENTS:
 5736910 5939955 6425781 6428361 6554638 6840817 7123117
 7429195 7717749 7808751 6217391 6149050 7924130

REVISIONS				
REV	DATE	DESCRIPTION	BY	CHKD
R	24JUN2013	EC-1306021	TY	KZ
S	22SEP2014	REVISED PER EC-1409018	TYR	TYN
T	23DEC2014	EC-1411035 COMPANY LOGO CHANGE	TYR	TYN



1. MATERIALS:

- HOUSING: HIGH TEMPERATURE NYLON, BLACK, UL 94V-0
- SHIELD: 0.20mm THICK, BRASS PREPLATED WITH 1.27μm MIN SEMI-BRIGHT NICKEL; POST-DIPPED WITH 2μm MIN SAC ALLOY LEAD FREE SOLDER
- CONTACT TAILS: 0.25mm THICK, PHOSPHOR BRONZE, 1.27 μm MIN OVERALL NICKEL UNDERPLATE, 3μm MIN TIN PLATE
- MOD JACK CONTACTS: 0.25mm THICK, PHOSPHOR BRONZE, 1.27 μm MIN OVERALL NICKEL UNDERPLATE, WITH 0.76μm OR 1.27μm MIN LOCALIZED GOLD PLATE AT PLUG INTERFACE
- LIGHT EMITTING DIODE (LED): DIFFUSED EPOXY LENS, 0.5mm X 0.5mm CARBON STEEL WIREFRAME LEADS PREPLATED WITH 2.03μm MIN. SILVER PLATE OVER 1.02μm MIN. NICKEL OVER 1.02μm MIN. COPPER UNDERPLATE; LEADS POST-PLATED WITH 3.05μm MIN. MATTE TIN.
- LIGHT PIPE: POLYCARBONATE

② RJ45 JACK CAVITY CONFORMS TO FCC RULES AND REGULATIONS PART 68, SUB-PART F.

③ MAGNETICS:

- IMPEDANCE: 100 OHMS
- TRANSMIT OPEN CIRCUIT INDUCTANCE (OCL): 350μH (MIN) @100KHz,
- 0.1 VRMS WITH 8 mA DC BIAS.
- TURNS RATIO (CHIP:CABLE): TX 1:1, RX: 1:1

PERFORMANCE:

- TRANSMIT BIDIRECTIONAL ALL 4 PAIRS
- RECEIVE BIDIRECTIONAL ALL 4 PAIRS

FREQUENCY	INSERTION LOSS (dB MAX)	RETURN LOSS (dB MIN) CIRCUIT IMPEDANCE = 100 OHMS ±15%	COMMON MODE REJECTION RATIO (dB MIN)	CROSSTALK ATTENUATION (dB MIN)
0.5 MHz-40.0 MHz	1.2	18.0	30	35
40.0 MHz-100.0 MHz		12-20 log(f/80) f IS FREQUENCY IN MHz		33-20 log(f/50) f IS FREQUENCY IN MHz

ALL MAGNETIC ELECTRICAL CHARACTERISTICS RATED @ 25°C

DIELECTRIC (ISOLATION VOLTAGE):

- 2250 VDC (1 mA CUTOFF CURRENT) FOR 60 SECONDS DURATION BETWEEN CABLE CONTACTS AND PCB CONTACTS (INCLUDING SHIELD).
- 1500 VRMS (10 mA CUTOFF CURRENT) FOR 60 SECONDS DURATION BETWEEN CABLE CONTACTS AND PCB CONTACTS (INCLUDING SHIELD).
- ALL BRIDGED ON EITHER SIDE OF MAGNETICS PACKAGE FOR RJ-45 CONTACTS.
- OPERATING TEMPERATURE: FROM 0°C TO +70°C.

④ LED COMPLIANT WITH IEC60825-1 SAFETY OF LASER PRODUCTS. WHEN OPERATED UP TO 20mA.

⑤ LED PEAK WAVELENGTH: GREEN = 565±5nm
 YELLOW = 591±5nm
 ORANGE = 607±5nm

⑥ LED 2 WILL EMULATE "YELLOW" LIGHT WHEN BOTH GREEN AND ORANGE DIODES ARE DRIVEN AT CONSTANT CURRENT (20 mA RECOMMENDED) TO INDICATE THE THIRD COLOR STATES.

⑦ ALL DIMENSIONS NOMINAL UNLESS OTHERWISE NOTED.

8. 1368398-1 SHOWN UNLESS OTHERWISE NOTED.

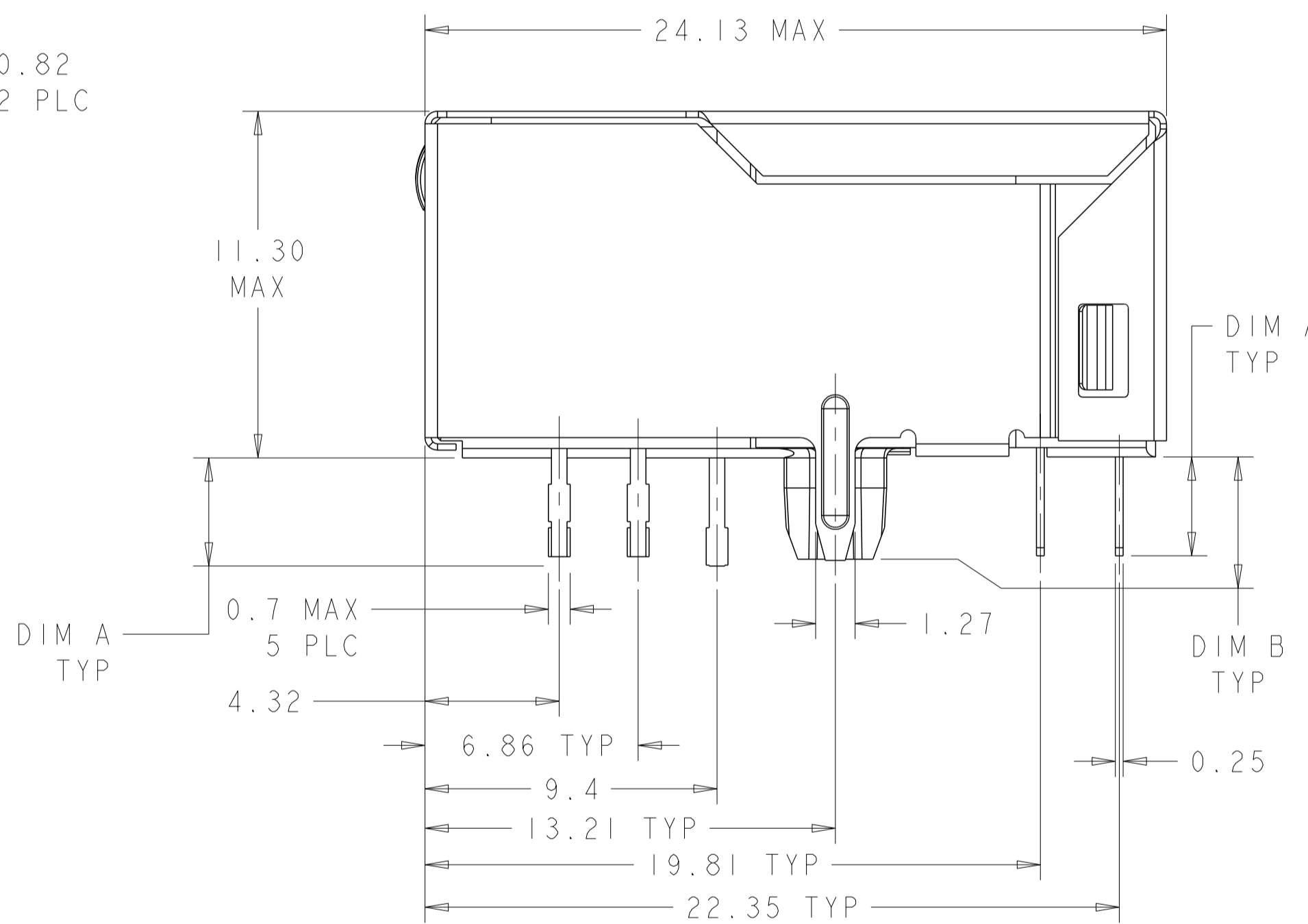
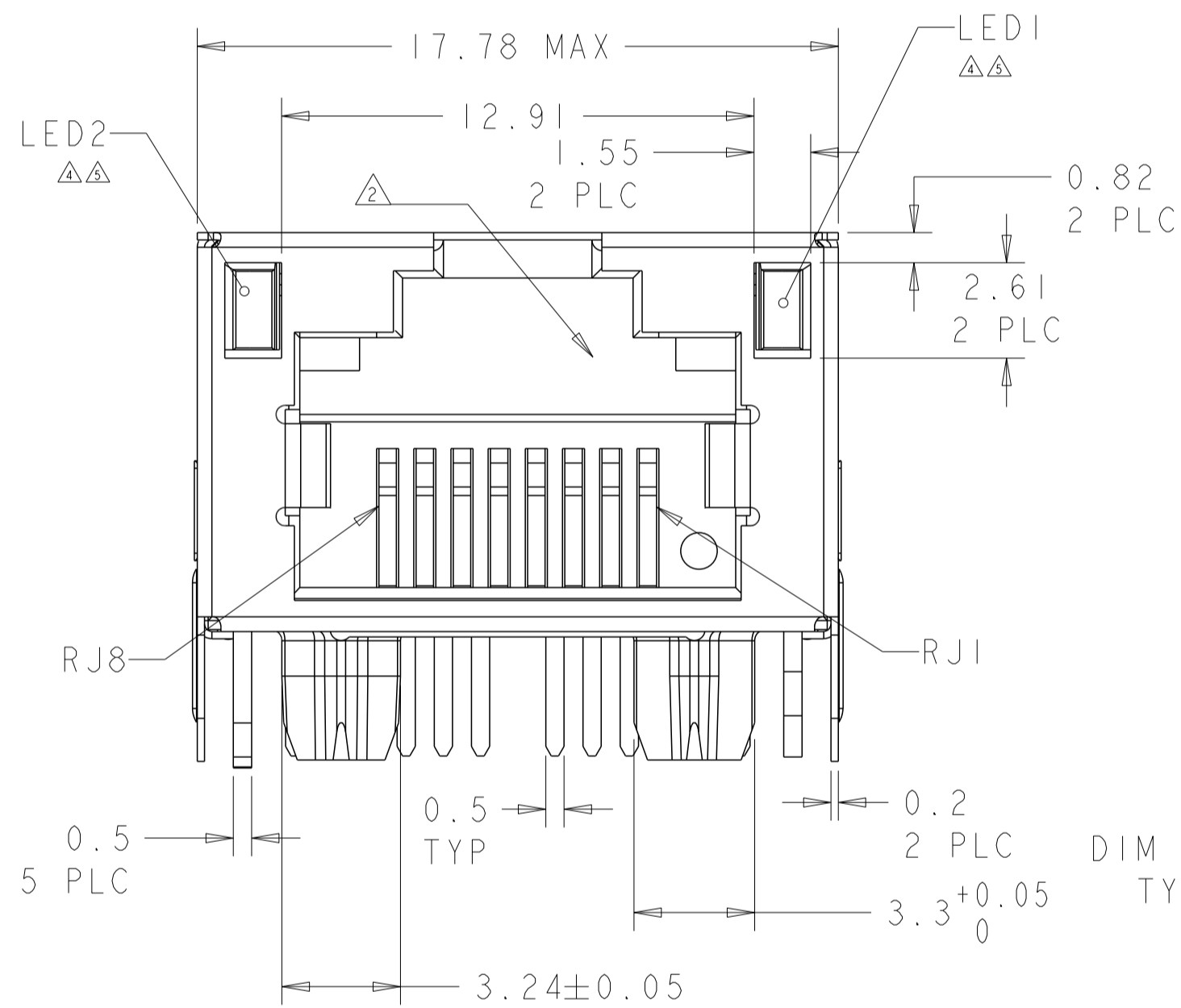
⑨ RJ45 MOD PLUG SELECTIVE - THIS CONNECTOR UTILIZES STAINLESS STEEL SPRING MEMBER WHICH PREVENTS THE INSERTION OF A RJ11 (6 POSITION) PLUG INTO THE JACK PORT, WHILE ALLOWING A RJ45 (8 POSITION) PLUG TO MATE FREELY.
 WARNING: THIS FEATURE WAS DEVELOPED FOR TYPICAL PLUG INSERTION FORCES. EXCESSIVE INSERTION FORCE MAY OVERCOME THE SELECTIVE FEATURES AND DAMAGE THE CONNECTOR.

⑩ APPLIES ONLY TO 1368398-3/4/7/8, 1-1368398-3 AND 2-1368398-3.

⑪ TRP CONNECTOR LOGO, PART NUMBER, DATE CODE, PLACE OF ORIGIN TO BE MARKED IN APPROXIMATE LOCATION AS SHOWN. DATE CODE: "YY" IS YEAR, "WW" IS WORK WEEK, "D" IS DAY OF WEEK, WITH SUNDAY=1

⑫ PART SHOULD BE COMPLIANT TO WAVE SOLDERING PROCESS ONLY, PREHEAT TEMPERATURE IS 120°C TO 160°C, 120 SECONDS TO 180 SECONDS, PEAK SOLDERING TEMPERATURE IS 260°C MAX, 10 SECONDS MAX.

⑬ PART SHOULD BE COMPLIANT TO BOTH WAVE SOLDERING PROCESS, PREHEAT TEMPERATURE IS 120°C TO 160°C, 120 SECONDS TO 180 SECONDS, PEAK SOLDERING TEMPERATURE IS 260°C MAX, 10 SECONDS MAX, AND IR REFLOW SOLDERING PROCESS, PEAK SOLDERING TEMPERATURE 260°C MAX, DURATION TIME 10 SECONDS MAX, OVER 230°C WITHIN 40-60 SECONDS.



BOTH	WAVE	WAVE	WAVE	WAVE	WAVE	BOTH	WAVE	BOTH	BOTH	WAVE	SOLDER PROCESS	PACKAGE METHOD	GOLD PLATING THICKNESS	LED 1	LED 2	RJ11 SELECTIVE CAPABILITY	GROUND TABS	DIM B	DIM A	PART NO.
③	②	②	②	②	②	③	②	③	③	②										
TRAY	TRAY	TRAY	TRAY	TRAY	TRAY	TAPE & REEL	TRAY	TAPE & REEL	TAPE & REEL	TRAY										
0.76um	0.76um	0.76um	1.27um	0.76um	0.76um	0.76um	0.76um	0.76um	0.76um	0.76um										
YELLOW	GREEN/YELLOW	YELLOW	YELLOW	GREEN	YELLOW	YELLOW	YELLOW	YELLOW	YELLOW	YELLOW										
GREEN/ORANGE	GREEN	GREEN/ORANGE	GREEN/ORANGE	GREEN/ORANGE	GREEN/ORANGE	GREEN/ORANGE	GREEN/ORANGE	GREEN/ORANGE	GREEN/ORANGE	GREEN/ORANGE										
⑥	⑥	⑥	⑥	⑥	⑥	⑥	⑥	⑥	⑥	⑥										
YES	YES	YES	NO	YES	NO	YES	YES	YES	YES	NO										
TOP AND SIDES	NO	TOP AND SIDES	TOP AND SIDES	TOP AND SIDES	TOP ONLY	TOP AND SIDES	TOP AND SIDES	TOP AND SIDES	TOP AND SIDES	TOP ONLY										
1.8	3.3	1.8	3.3	3.3	3.3	1.8	3.3	1.8	3.3	1.8										
1.8	3.18	1.8	3.18	3.18	3.18	1.8	3.18	1.8	3.18	1.8										
2-1368398-3	1-1368398-6	1-1368398-3	1368398-8	1368398-7	1368398-6	1368398-5	1368398-4	1368398-3	1368398-2	1368398-1										

THIS DRAWING IS A CONTROLLED DOCUMENT.

OWN: ERIC BRIANT 15MAY2003
 CHK: N. REESER 9FEB2004
 APVD: N. REESER 9FEB2004

DIMENSIONS: mm

TOLERANCES UNLESS OTHERWISE SPECIFIED:
 0 PLC ±0.25
 1 PLC ±0.25
 2 PLC ±0.25
 3 PLC ±0.25
 4 PLC ±
 ANGLES ±

PRODUCT SPEC: 108-2207

MODEL NAME: MAGJACK

DESC: IXI IG18 GIGABIT TAB UP LOW PROFILE W/ LED

SIZE: A1

CAGE CODE: C=1368398

RESTRICTED TO: -

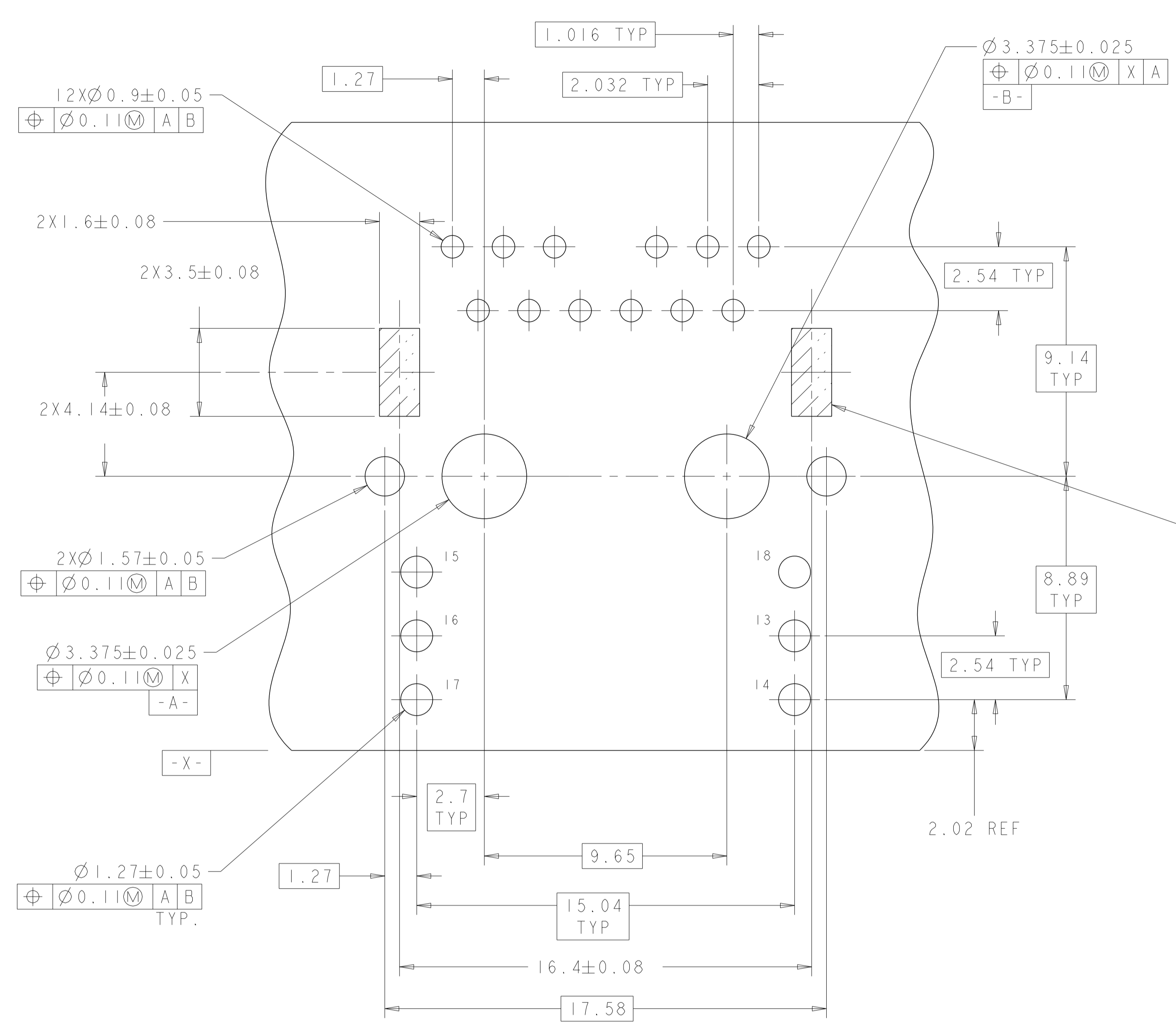
CUSTOMER DRAWING

SCALE: 4:1

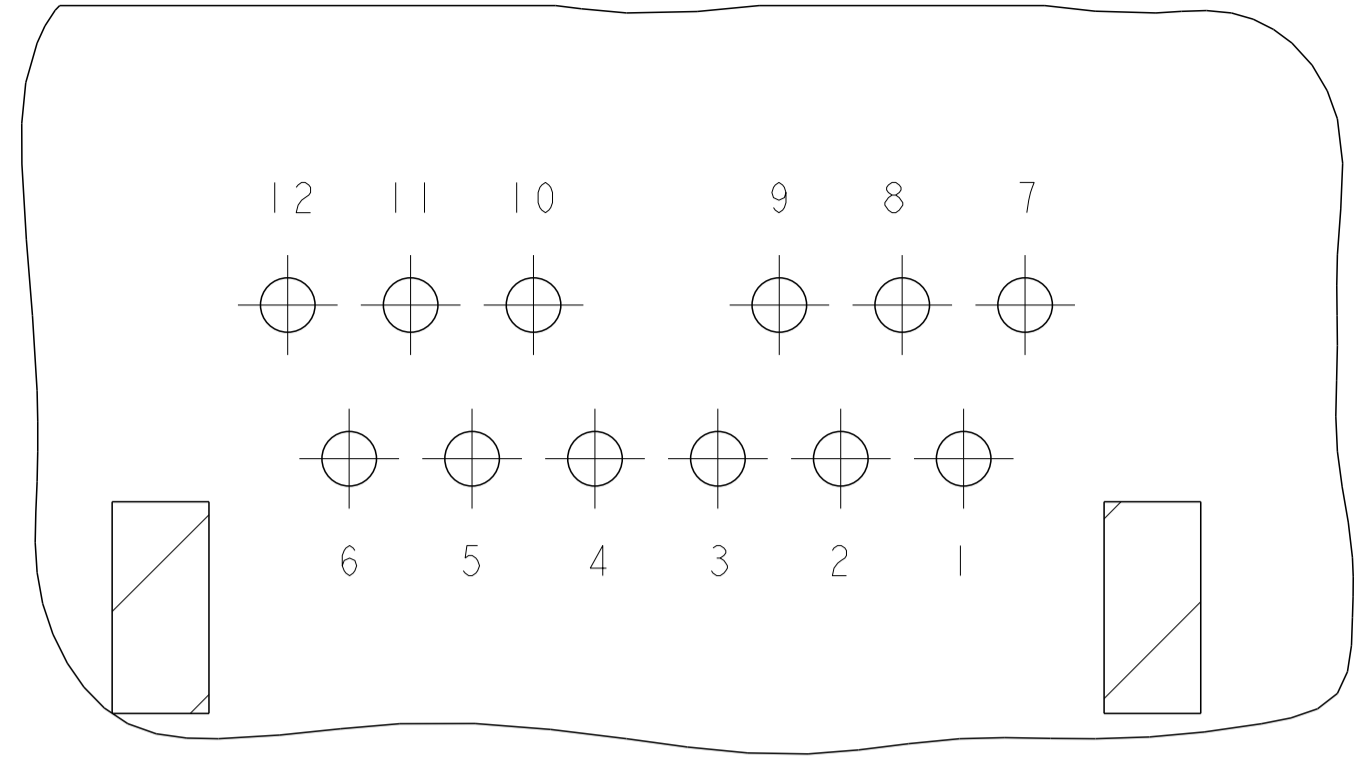
SHEET 1 OF 3

REV T

trp CONNECTOR DONGGUAN CHINA

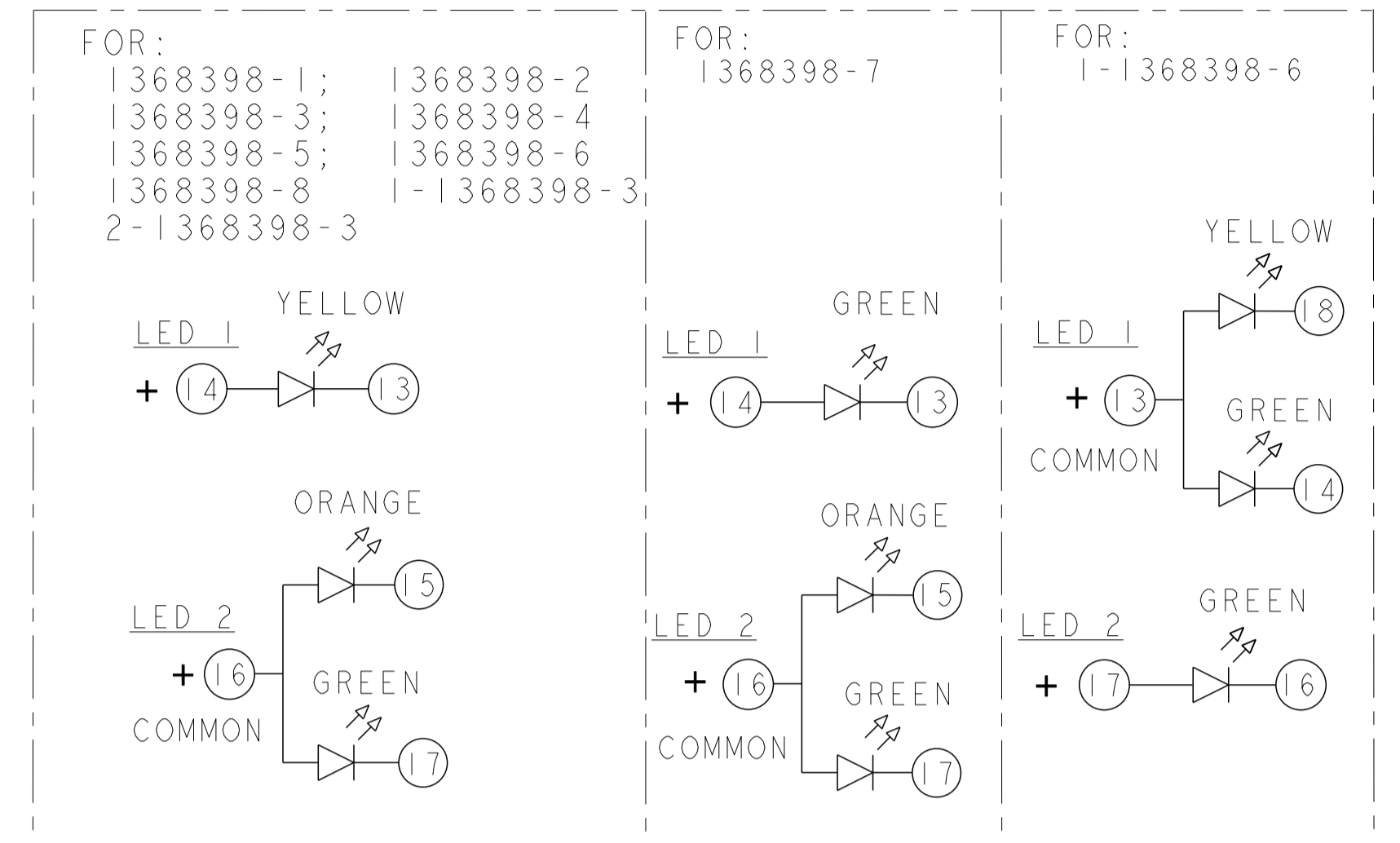


SUGGESTED PCB LAYOUT
(COMPONENT SIDE)

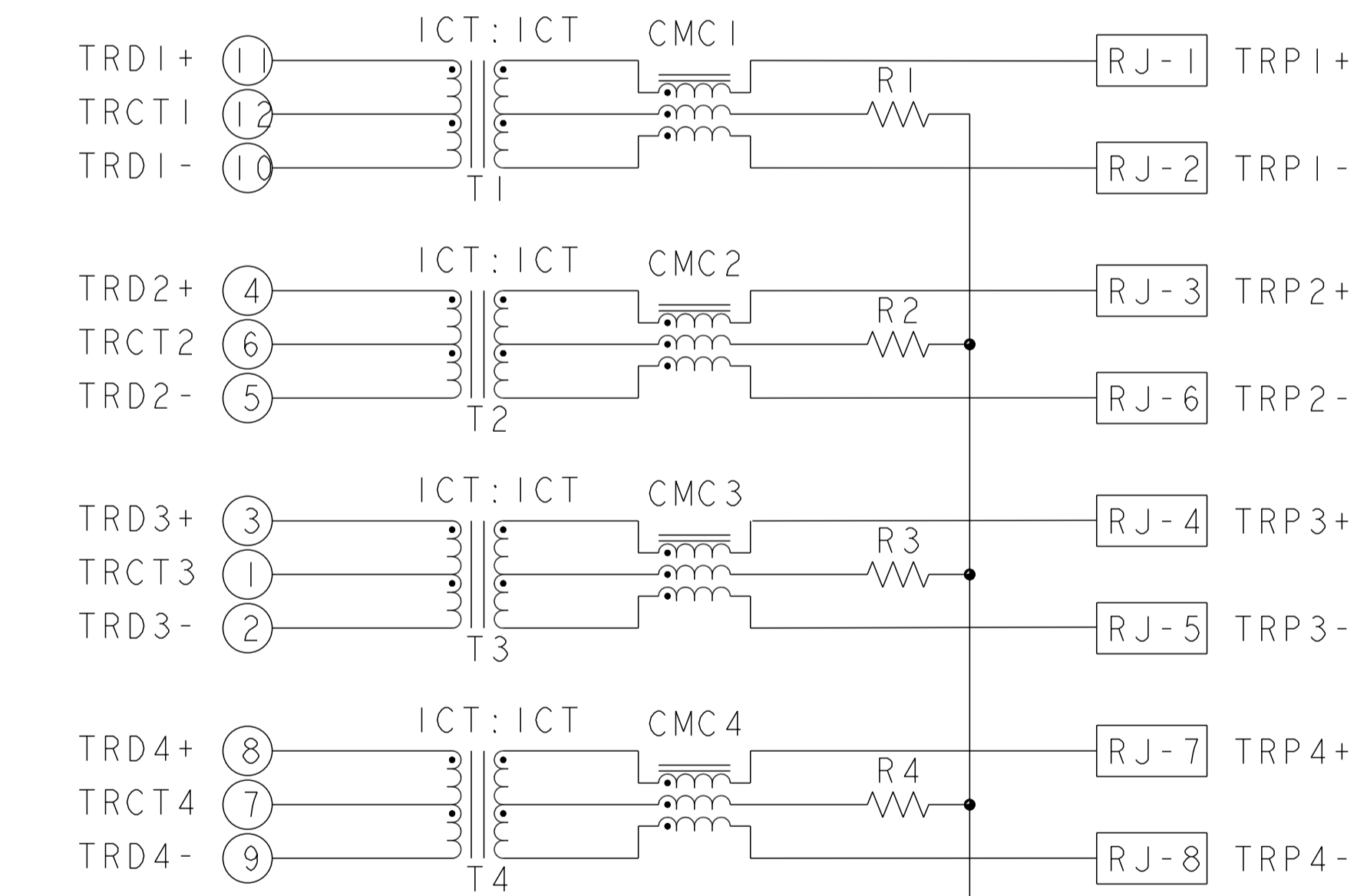


PIN DESIGNATIONS

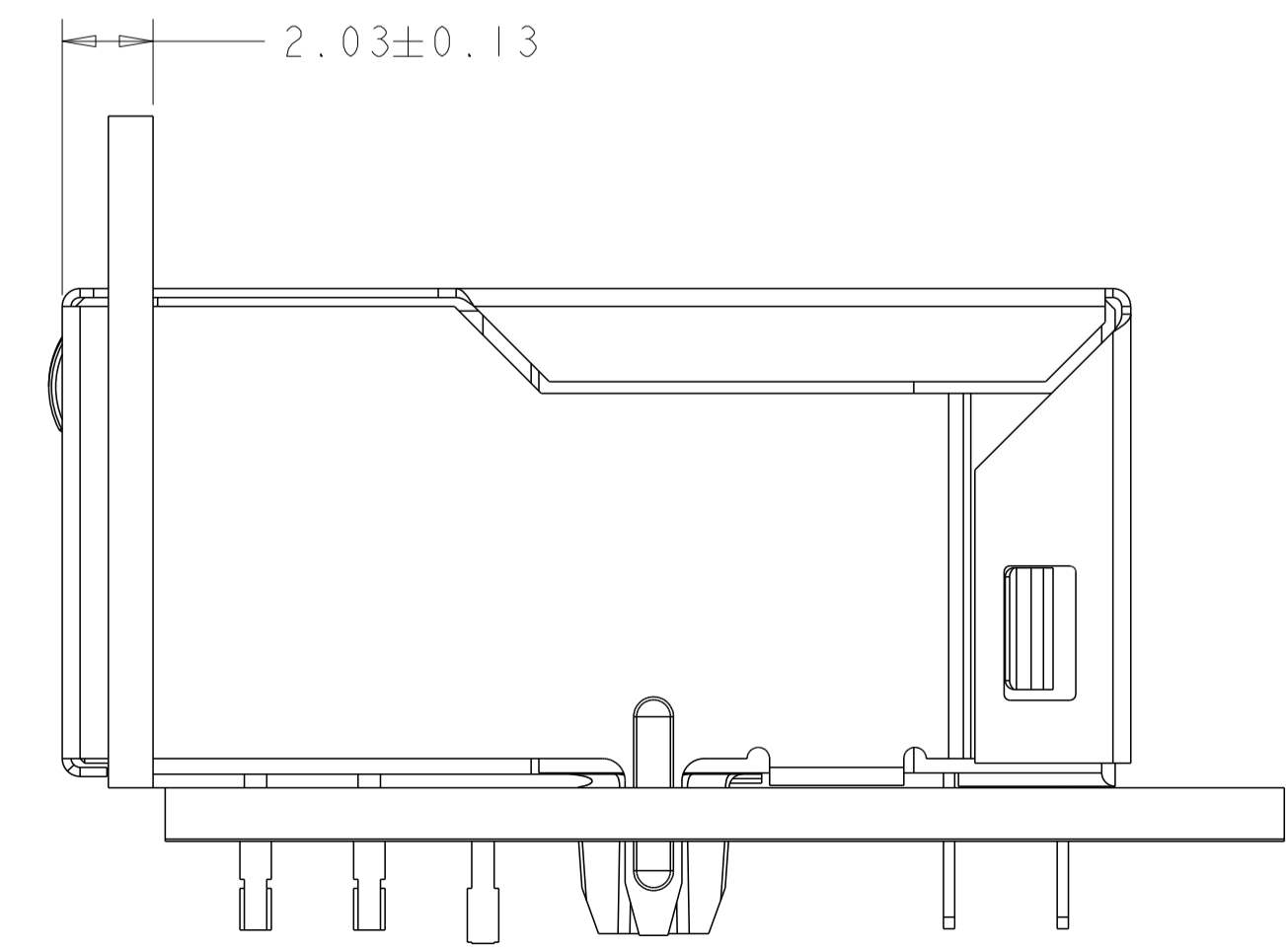
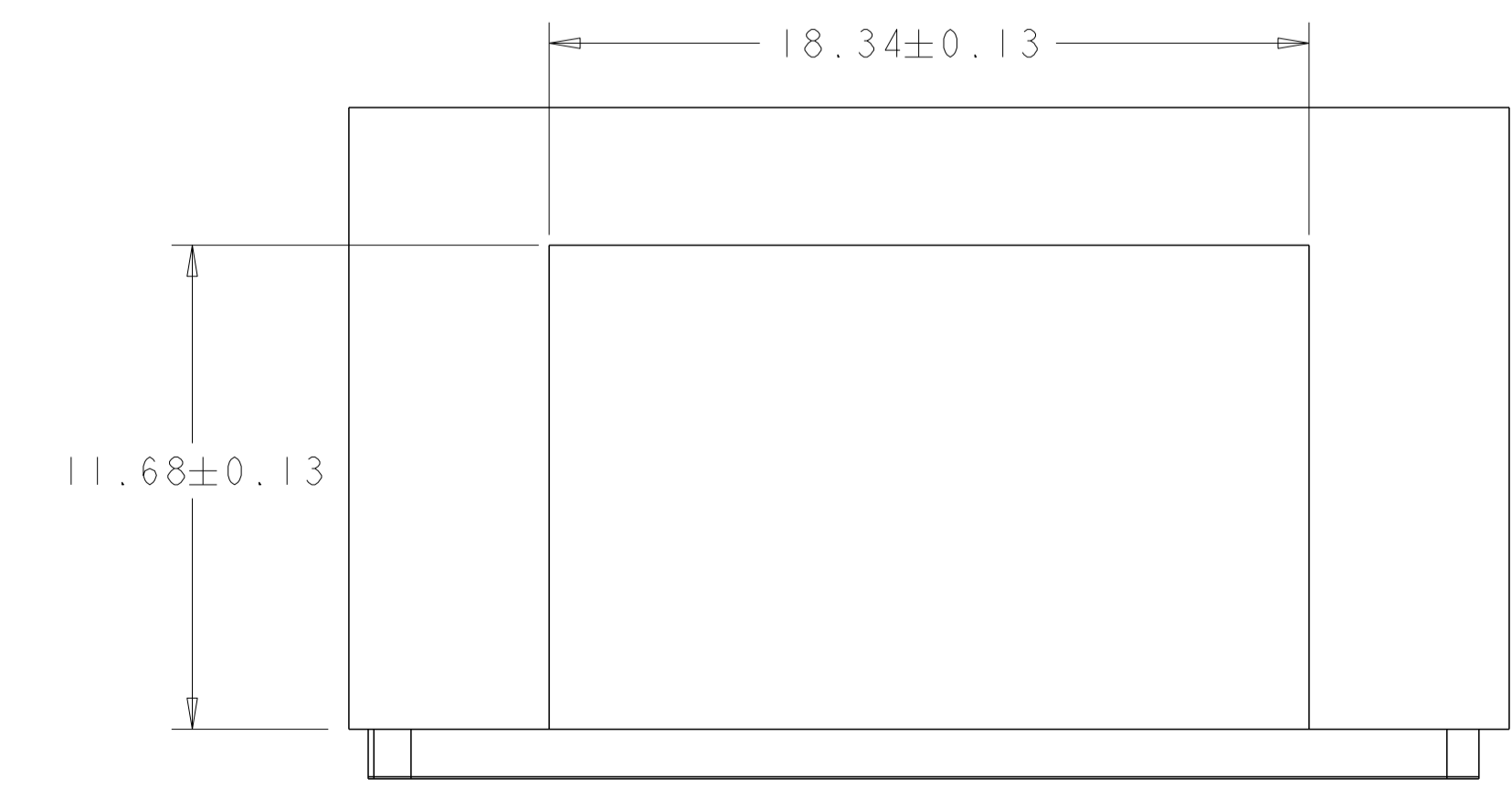
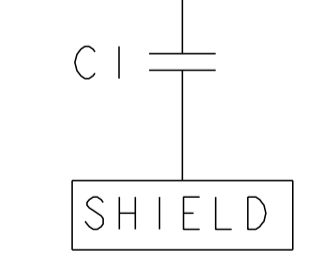
IT IS RECOMMENDED THAT SHADED AREA OF CUSTOMER PC BOARD BE CLEAR OF ANY VIA HOLE, COMPONENT AND CIRCUIT TRACE



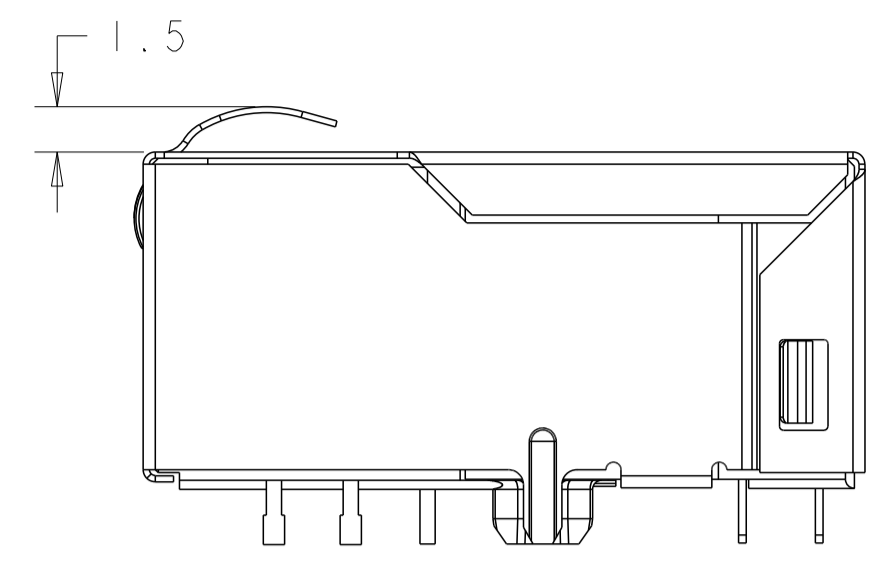
IG18 GIGABIT CIRCUIT



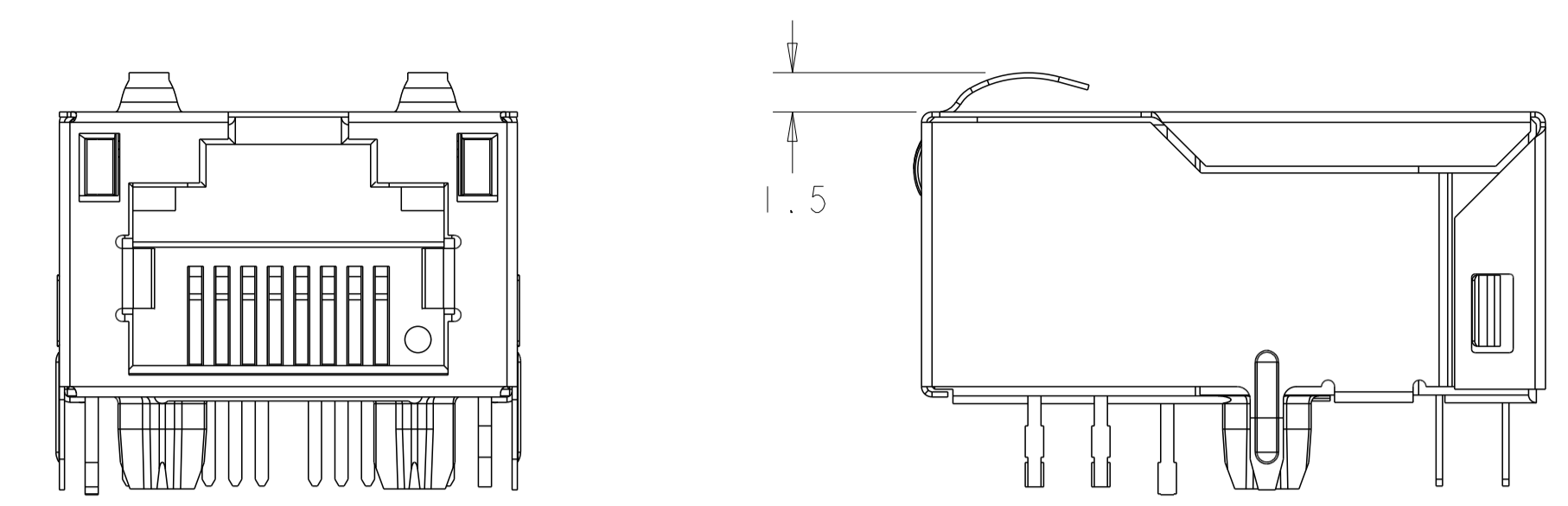
CI : 1000pF, 3kV DECOUPLING CAPACITOR.
 R1-R4: 75 Ohms, 1/16 W, 5% RESISTORS.



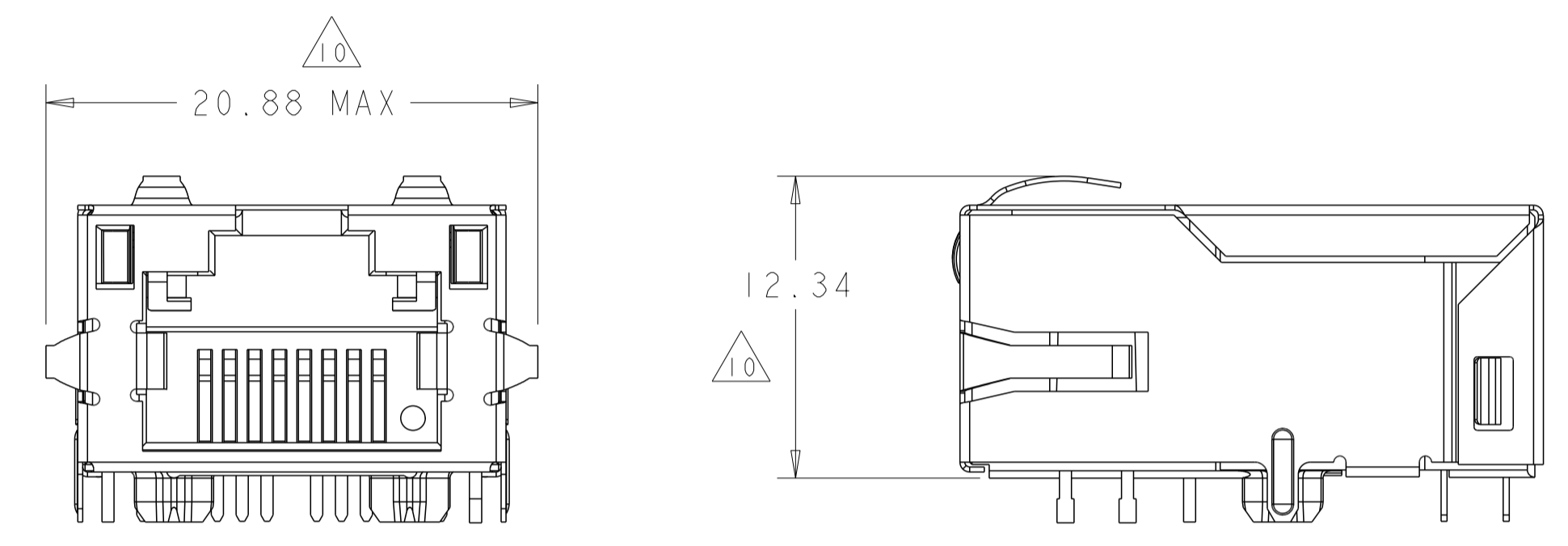
THIS DRAWING IS A CONTROLLED DOCUMENT.		OWN: ERIC BRIANT 15MAY2003	DONGGUAN CHINA
DIMENSIONS: mm		CHK: N. REESER 9FEB2004	
TOLERANCES UNLESS OTHERWISE SPECIFIED:		APVD: N. REESER 9FEB2004	DESC: IX1 IG18 GIGABIT TAB UP LOW PROFILE W/ LED
0 PLC ±0.25	1 PLC ±0.25	MODEL NAME: MAGJACK	SIZE: A1
2 PLC ±0.25	3 PLC ±	PRODUCT SPEC: SINGLE NON-POE	CAGE CODE: C=1368398
4 PLC ±	ANGLES ±	APPLICATION SPEC: -	RESTRICTED TO: -
108-2207		CUSTOMER DRAWING	SCALE: 4:1 SHEET 2 OF 3 REV T



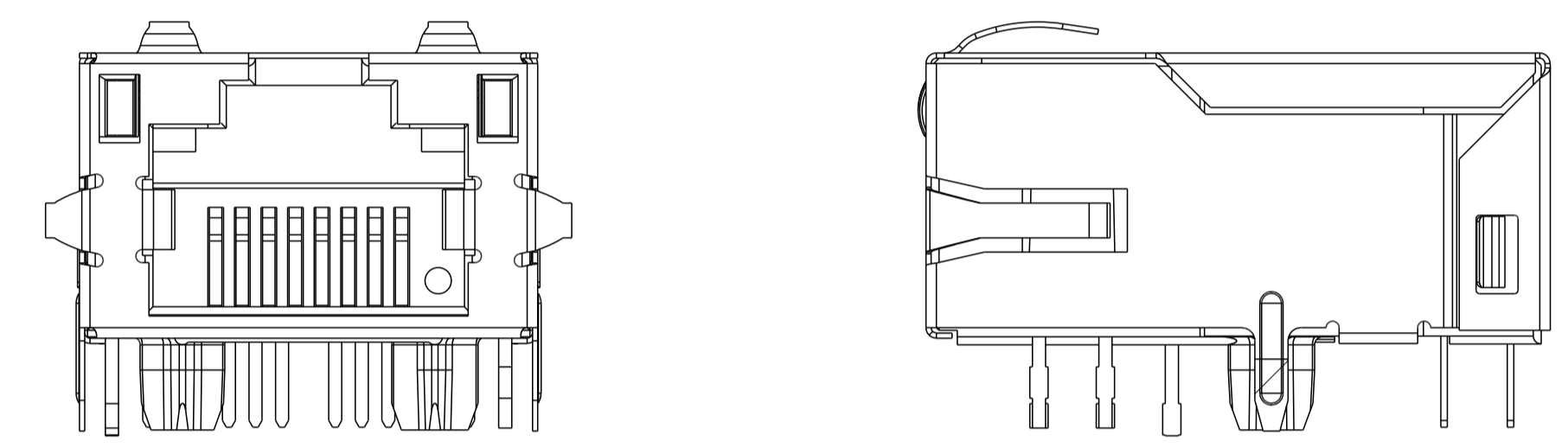
1368398-2



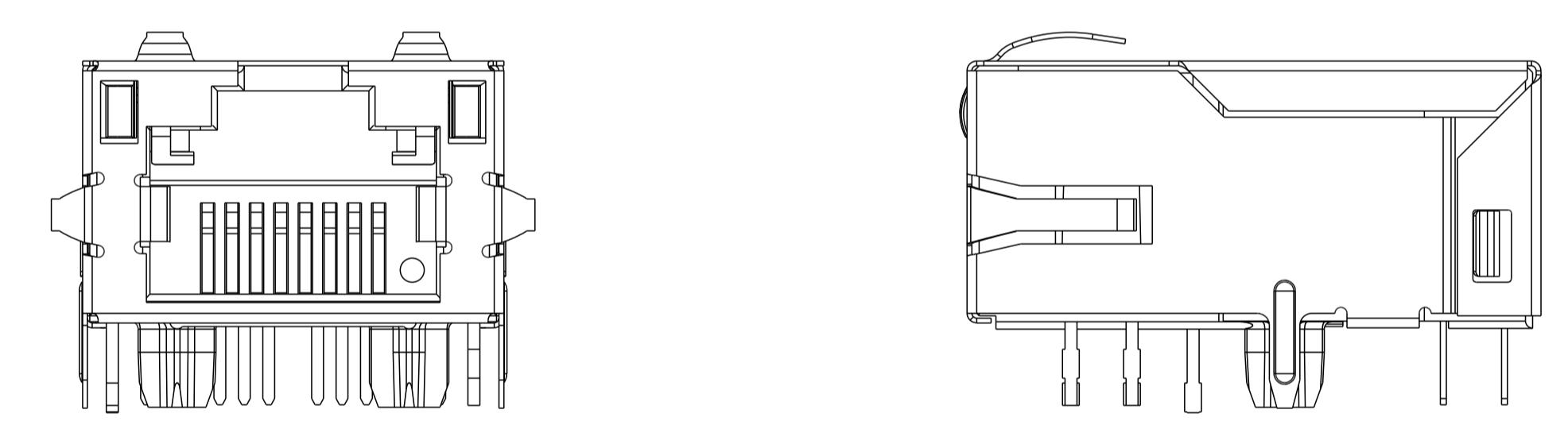
1368398-6



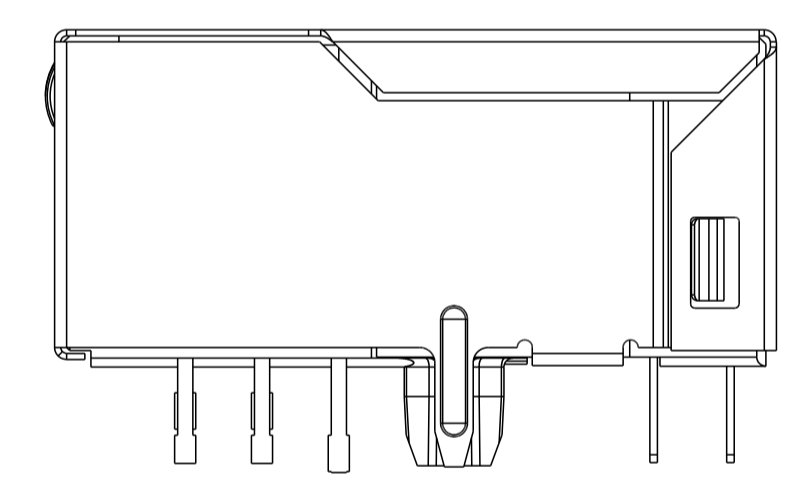
1368398-3, 1-1368398-3, 2-1368398-3



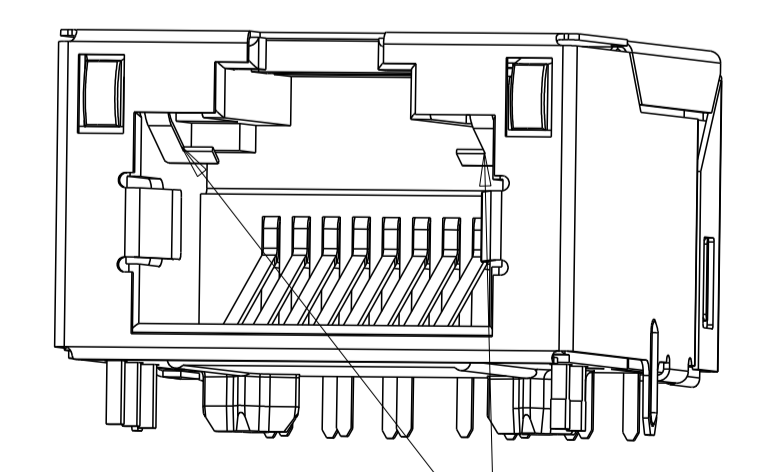
1368398-8 (WITHOUT RJ II SELECTIVE SPRING MEMBER)




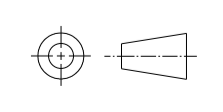
1368398-4 & 1368398-7



1-1368398-6



1368398-5
 △ RJ45 MOD PLUG
 SELECTIVE SS
 SPRING MEMBER

THIS DRAWING IS A CONTROLLED DOCUMENT.		OWN ERIC BRIANT 15MAY2003	 DONGGUAN CHINA
DIMENSIONS: mm		CHK N. REESER 9FEB2004	
 0 PLC ±0.25 1 PLC ±0.25 2 PLC ±0.25 3 PLC ±0.25 4 PLC ± ANGLES ± APPLICATION SPEC ±		MODEL NAME MAGJACK DESC IXI 1G18 GIGABIT TAB UP LOW PROFILE W/ LED	
PRODUCT SPEC 108-2207	TOLERANCES UNLESS OTHERWISE SPECIFIED:	APVD N. REESER 9FEB2004	SIZE A1 CAGE CODE C=1368398 DRAWING NO 1368398 RESTRICTED TO - CUSTOMER DRAWING SCALE 4:1 SHEET 3 OF 3 REV T