

PM162-K

Flat Actuator+Pin Terminal+Ring illumination(Dual color and tri-color available)



Switch Function■:

Blank indicates momentary
Z Latching

LED options★:

Blank indicates single color
31 Dual color(common cathode)
32 Dual color(common anode)
41 Tri-color(common cathode)
42 Tri-color(common anode)

LED Color△:

Single color **R G Y O B W**
Tri-color **R G B**
Dual color **R G**

LED Voltage▲ :

AC/DC 6V
AC/DC 12V
AC/DC 24V
AC/DC 110V
AC/DC 220V

Body◎ :

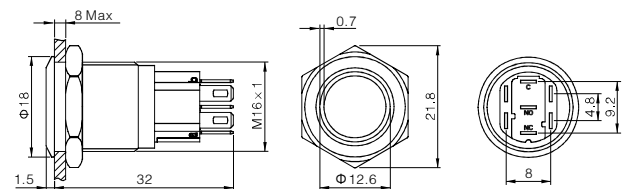
C Chrome plated brass
S Stainless steel
A Black plated brass

Specifications

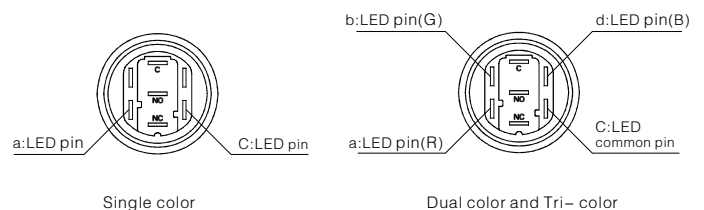
Panel Cutout: Φ 16mm
Rating: 0.5A/220VAC
Contact Configuration: 1NO1NC
Protection Class: IP65,IK08
Pin Terminal(2.8 × 0.5mm)
Switching: C(Single-break slow-motion contact)
Panel Thickness: 1 ~ 8mm
Torque: About 0.6Nm
Mechanical Life: 500,000 cycles
Electrical Life: 50,000 cycles
Actuator: Stainless steel/Chrome plated brass/Black plated brass
Body: Stainless steel/Chrome plated brass/Black plated brass
Base: PA
Actuation Force: About 1.7N
Actuation Travel: About 3mm

RoHS Compliant

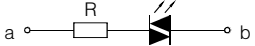
Dimension



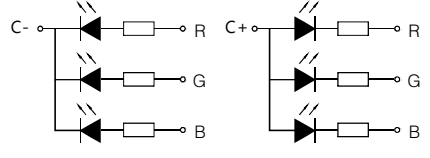
Terminal Arrangement



Single Color Lamp Specification

Lamp Type	Two-way LED lamp(AC/DC)
LED Color	R G Y O B W
Life	40000hours(Reference)
Rated Voltage	AC/DC6V, AC/DC12V, AC/DC24V, AC/DC110V,AC/DC220V
Rated Current	1~15mA
Dropping Way	Inner resistor
Lamp Circuit Diagram	Using AC/DCLed lamp, the terminals have no difference of anode and cathode. 
Note:	DC LED and other voltage can be made to order.

Tri-color Lamp Specification

Lamp Type	Unidirection Tri-color LED
LED Color	R G B
Life	40000hours(Reference)
Rated Voltage	Without Resistor: R 1.8V, G 2.8V, B 2.8V With internal resistor: DC6V, DC12V, DC24V
Rated Current	3~15mA
Lamp Circuit Diagram	 Common Cathode Common Anode
	Using unidirection LED lamp, need distinguish anode and cathode, Using inner resistor, do not need connect outer resistor.