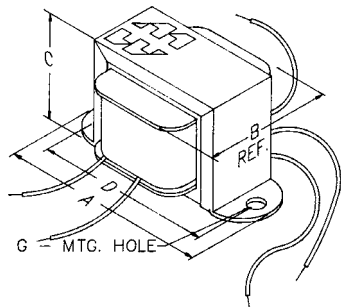
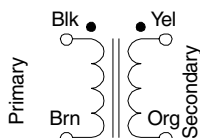


Chassis & P.C. Board Mount (612, 630-632 Series)

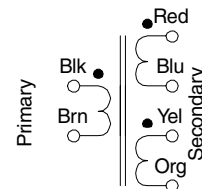


PULSE TRANSFORMERS

- Economical, open style, chassis mount.
- Mounting hole (G) - .187"
- Units are intended for pulse applications including thyristor/triac firing circuits.
- Flexible leads - 4" minimum.

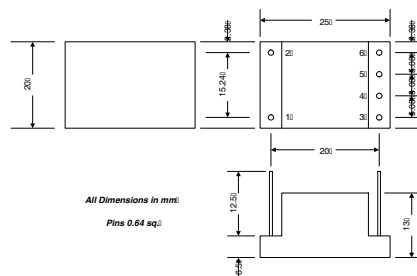
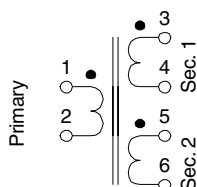


612G



612H

| Part No. | Ratio | Circuit Max. Volts | Primary ET Constant V (uS) | Primary | | D.C. Winding Resistance | | Max. Primary or Secondary Peak Current | | Insulation RMS (Volts) | Wt. Oz. | Dimensions (Inches) | | | |
|----------|-------|--------------------|----------------------------|----------------------|------------------|-------------------------|---------------|--|-----------|------------------------|---------|---------------------|------|------|------|
| | | | | Inductance mH (min.) | D.C. Res. (Ohms) | Sec. 1 (Ohms) | Sec. 2 (Ohms) | @ 10% Duty | @ 1% Duty | | | A | B | C | D |
| 612G | 1:01 | 600 | 4500 | 6.6 | 0.87 | 0.87 | - | 0.9 A | 2.8 A | 4000 | 8 | 2.06 | 1.25 | 1.19 | 1.75 |
| 612H | 1:01 | 600 | 2300 | 1.5 | 0.45 | 0.42 | 0.49 | 0.9 A | 2.8 A | 4000 | 8 | 2.06 | 1.25 | 1.19 | 1.75 |



PULSE TRANSFORMERS

- These transformers are fully encapsulated in a high grade black molded case with a UL94V-O rating.
- They are intended mainly for thyristor / triac triggering applications.
- All units are voltage proof tested between windings at 2,500V RMS for 1 minute, for a working voltage rating maximum of 440V RMS.

Pulse

| Part No. | Turns Ratio | Primary | | Leakage Inductance uH (max) | Capacity pf. (max) | D.C. Winding Resistance | | | |
|----------|-------------|----------------------|------------------|-----------------------------|--------------------|-------------------------|---------------|---------------|---------------|
| | | Inductance mH (min.) | ET Constant V uS | | | Pri. (Ohms) | Sec. 1 (Ohms) | Sec. 2 (Ohms) | Sec. 3 (Ohms) |
| 630B | 1:01 | 1 | 120 | 2 | 50 | 0.25 | 0.23 | - | - |
| 631B | 1:01 | 1 | 120 | 3 | 40 | 0.25 | 0.22 | 0.28 | - |
| 632B | 2:01 | 1 | 120 | 3.5 | 30 | 0.24 | 0.12 | 0.15 | - |
| 630C | 1:01 | 4 | 240 | 5 | 55 | 0.86 | 0.83 | - | - |
| 631C | 1:01 | 4 | 240 | 11 | 35 | 0.90 | 0.76 | 1.10 | - |
| 632C | 2:01:01 | 4 | 240 | 11 | 35 | 0.84 | 0.38 | 0.50 | - |
| 630D | 1:01:00 | 16.3 | 482 | 18 | 65 | 3.50 | 3.40 | - | - |
| 631D | 1:01:01 | 16.3 | 482 | 40 | 40 | 3.60 | 3.10 | 4.20 | - |
| 632D | 2:01:01 | 16.3 | 482 | 40 | 40 | 3.50 | 1.60 | 2.00 | - |



CANADA
Guelph, Ontario (519) 822-2960
St. Laurent, Quebec (514) 343-9010
USA
Cheektowaga, NY (716) 630-7030

www.hammondmfg.com



EUROPE
Basingstoke, UK 01256 812812

AUSTRALIA
Queenstown, Australia 61-8-8240-2244