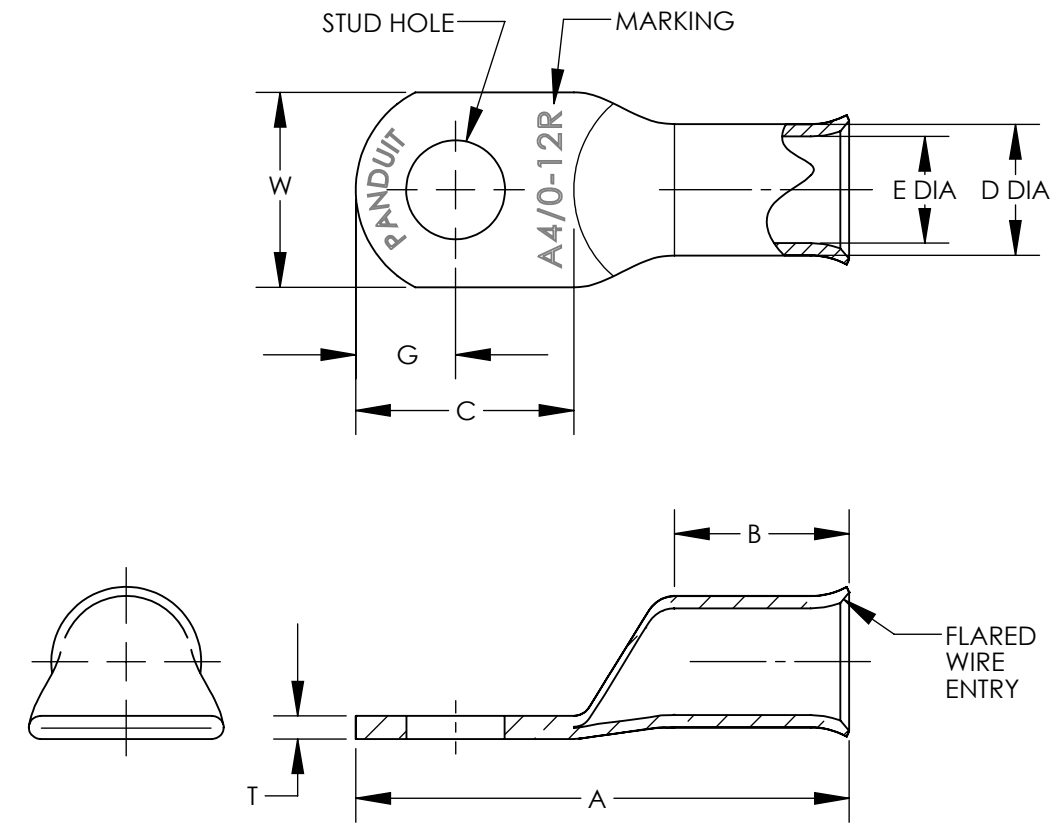


PLATED PART #	TONGUE MARKING	WIRE	WIRE STRIP LENGTH	STUD HOLE	A ±.1	B ±.08	D ±.01	E ±.01	G ±.1	C ±.1	T ±.03	W ±.03
A8-10R-C	A8-10R	8	9/16"	#10	1.26	0.50	0.25	0.18	0.25	0.56	0.05	0.43
A8-14R-C	A8-14R	8	9/16"	1/4	1.32	0.50	0.25	0.18	0.25	0.62	0.05	0.43
A8-56R-C	A8-56R	8	9/16"	5/16	1.45	0.50	0.25	0.18	0.33	0.75	0.04	0.51
A8-38R-C	A8-38R	8	9/16"	3/8	1.54	0.50	0.25	0.18	0.36	0.84	0.04	0.54
A6-10R-C	A6-10R	6	9/16"	#10	1.47	0.50	0.31	0.23	0.32	0.76	0.07	0.47
A6-14R-C	A6-14R	6	9/16"	1/4	1.47	0.50	0.31	0.23	0.32	0.76	0.07	0.54
A6-56R-C	A6-56R	6	9/16"	5/16	1.47	0.50	0.31	0.23	0.32	0.76	0.07	0.54
A6-38R-C	A6-38R	6	9/16"	3/8	1.47	0.50	0.31	0.23	0.32	0.76	0.07	0.54
A4-14R-C	A4-14R	4	5/8"	1/4	1.51	0.61	0.35	0.27	0.25	0.62	0.06	0.55
A4-56R-C	A4-56R	4	5/8"	5/16	1.63	0.61	0.35	0.27	0.32	0.74	0.06	0.61
A4-38R-C	A4-38R	4	5/8"	3/8	1.73	0.61	0.35	0.27	0.36	0.84	0.06	0.61
A2-14R-C	A2-14R	2	3/4"	1/4	1.84	0.74	0.42	0.31	0.36	0.74	0.10	0.60
A2-56R-C	A2-56R	2	3/4"	5/16	1.89	0.74	0.42	0.31	0.36	0.80	0.10	0.66
A2-38R-C	A2-38R	2	3/4"	3/8	1.93	0.74	0.42	0.31	0.36	0.83	0.10	0.66
A2-12R-C	A2-12R	2	3/4"	1/2	2.16	0.74	0.42	0.31	0.47	1.07	0.08	0.75
A1-14R-C	A1-14R	1	13/16"	1/4	1.90	0.77	0.47	0.36	0.36	0.74	0.11	0.70
A1-56R-C	A1-56R	1	13/16"	5/16	1.96	0.77	0.47	0.36	0.36	0.80	0.11	0.70
A1-38R-C	A1-38R	1	13/16"	3/8	1.99	0.77	0.47	0.36	0.36	0.83	0.11	0.70
A1-12R-C	A1-12R	1	13/16"	1/2	2.23	0.77	0.47	0.36	0.47	1.07	0.09	0.79
A1/0-56R-C	A1/0-56R	1/0	13/16"	5/16	2.01	0.80	0.52	0.39	0.36	0.80	0.12	0.76
A1/0-38R-C	A1/0-38R	1/0	13/16"	3/8	2.05	0.80	0.52	0.39	0.37	0.84	0.12	0.76
A1/0-12R-C	A1/0-12R	1/0	13/16"	1/2	2.28	0.80	0.52	0.39	0.47	1.07	0.12	0.82
A2/0-56RC-C	A2/0-56RC	2/0	15/16"	5/16	2.16	0.88	0.58	0.45	0.35	0.80	0.13	0.85
A2/0-38R-C	A2/0-38R	2/0	15/16"	3/8	2.26	0.88	0.58	0.45	0.45	0.90	0.13	0.85
A2/0-12R-C	A2/0-12R	2/0	15/16"	1/2	2.46	0.88	0.58	0.45	0.51	1.10	0.13	0.85
A3/0-56R-C	A3/0-56R	3/0	13/16"	5/16	2.27	0.80	0.62	0.51	0.48	1.02	0.10	0.91
A3/0-38R-C	A3/0-38R	3/0	13/16"	3/8	2.27	0.80	0.62	0.51	0.48	1.02	0.10	0.91
A3/0-12R-C	A3/0-12R	3/0	13/16"	1/2	2.32	0.80	0.62	0.51	0.48	1.07	0.10	0.91
A4/0-56R-C	A4/0-56R	4/0	15/16"	5/16	2.57	0.91	0.69	0.56	0.52	1.14	0.12	1.02
A4/0-38R-C	A4/0-38R	4/0	15/16"	3/8	2.57	0.91	0.69	0.56	0.52	1.14	0.12	1.02
A4/0-12R-C	A4/0-12R	4/0	15/16"	1/2	2.57	0.91	0.69	0.56	0.52	1.14	0.12	1.02



NOTES:

1. MATERIAL: HIGH CONDUCTIVITY SEAMLESS COPPER TUBE
2. PLATING: ELECTRO-TIN OR BARE COPPER
3. WIRE TYPE: STRANDED COPPER; CLASS K

REV	DATE	BY	CHK	APR	DESCRIPTION	ECN
08	4/24/19	RUMC	JHNU	RGB	REM'D BARE COPPER PART NUMBER COLUMN	037507
07	2/13/19	RUMC	JHNU	RGB	ADDED A8-10R, A8-14R, A8-56R, AND A8-38R REMOVED A2/0-56R ADDED BARE COPPER PART NUMBER COLUMN	037507
06	5/14/18	RUMC	DAOS	RGB	ADDED A2/0-56RC	00159NBA-DC
05	10/17	JHNU	JHNU	RGB	ADDED A4/0-56R	00159NBA-DC
04	11/7/16	DAOS	JHNU	RGB	4/0 BARREL LENGTH CHANGE TO 0.91"	00159NBA-DC

TITLE							<b>TUBULAR TERMINALS</b>		
ITEM REVISION NAME							00159NBA-DC_08		
DATASET FILE NAME							00159NBA-DC_08.SLDDRW		
UNLESS OTHERWISE SPECIFIED, DIMENSIONAL TOLERANCES ARE: IN [mm]									
.X ±									
.XX ±							ANGLES ±		
DRAWN BY							DAOS		
DATE							3/21/16		
CHK							N/A		
SCALE							N/A		
DRAWING NUMBER							00159NBA-DC		
SHEET 1 OF 1							SIZE B		