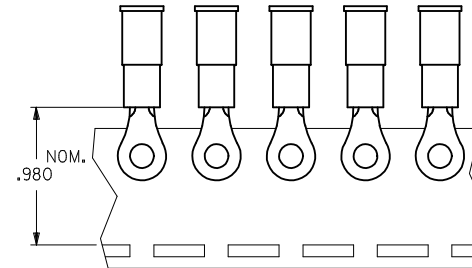
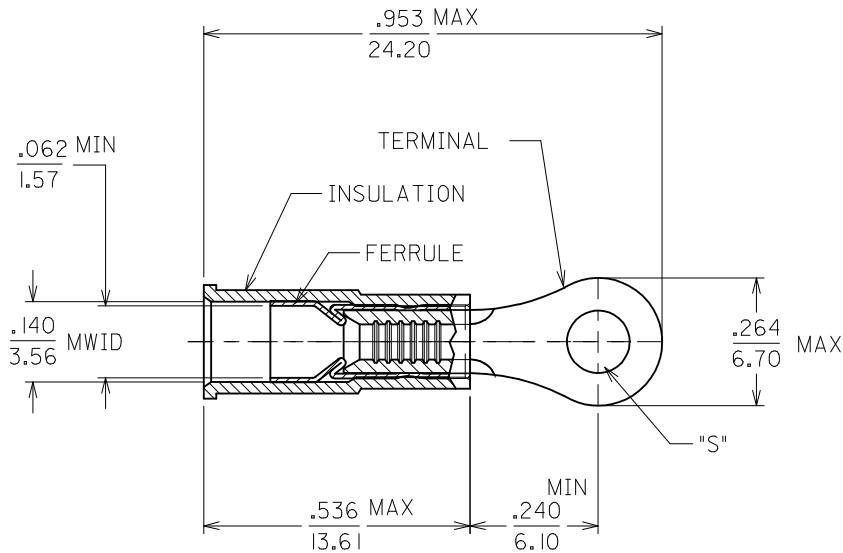


MATERIAL NUMBER	ALTERNATE NUMBER	"S"	WIRE RANGE	COLOR	PACKAGING
190570026	A-532-04	.119/3.02	22-18 AWG	RED	LOOSE PIECE
190570028	A-532-06	.146/3.70	22-18 AWG	RED	
190570030	A-532-08	.173/4.39	22-18 AWG	RED	
190570027	A-532-04T	.119/3.02	22-18 AWG	RED	TAPE
190570029	A-532-06T	.146/3.70	22-18 AWG	RED	
190570031	A-532-08T	.173/4.39	22-18 AWG	RED	

(A1)



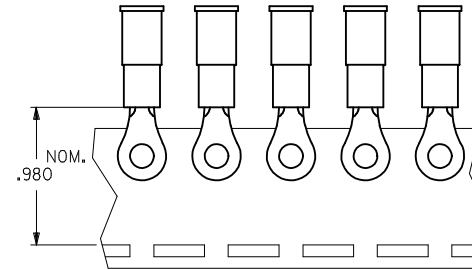
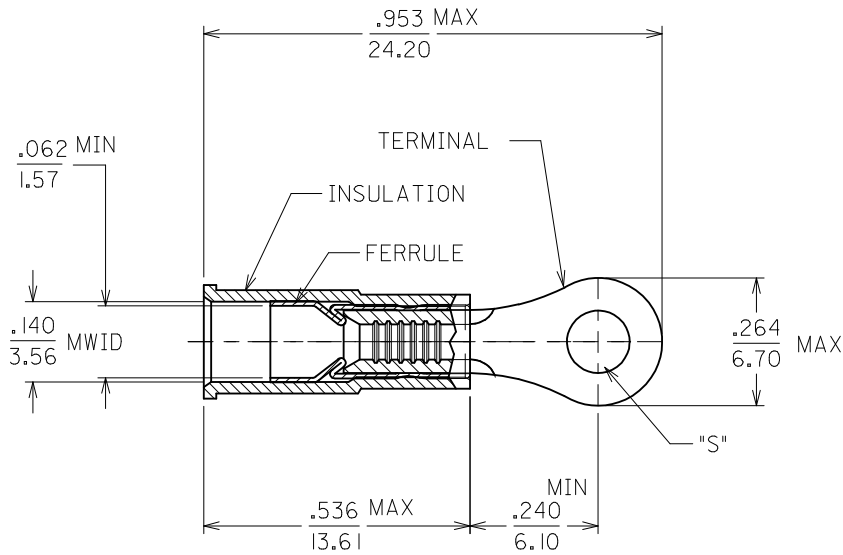
- MATERIAL: TERMINAL: COPPER
.028/.711 THICK.
FUNNEL FERRULE: BRASS
PLATING: ELECTRO TIN
INSULATION: NYLON 6/6
COLOR: SEE CHART
- MWID = MAXIMUM WIRE INSULATION DIAMETER
- ALL DIMENSIONS = INCHES / MM
- PARTS ARE ROHS COMPLIANT.

ALT NUMBER TYPO EC NO: IFC2017-0325 DRAWING: JAS01 2016/09/23 CHKD: JMAGNEIL 2016/09/23 APPR: JMAGNEIL 2016/10/06 A1	QUALITY SYMBOLS ▽=0 ▽=0	GENERAL TOLERANCES (UNLESS SPECIFIED) <table border="1"> <thead> <tr> <th></th> <th>mm</th> <th>INCH</th> </tr> </thead> <tbody> <tr> <td>4 PLACES</td> <td>± ---</td> <td>± ---</td> </tr> <tr> <td>3 PLACES</td> <td>± ---</td> <td>± .005</td> </tr> <tr> <td>2 PLACES</td> <td>± 0.13</td> <td>± .01</td> </tr> <tr> <td>1 PLACE</td> <td>± 0.25</td> <td>± ---</td> </tr> <tr> <td>0 PLACE</td> <td>±</td> <td>±</td> </tr> </tbody> </table>		mm	INCH	4 PLACES	± ---	± ---	3 PLACES	± ---	± .005	2 PLACES	± 0.13	± .01	1 PLACE	± 0.25	± ---	0 PLACE	±	±	DIMENSION STYLE IN/MM DRAWN BY DATE EDB 2001/03/23 CHECKED BY DATE HEB 2001/03/23 APPROVED BY DATE	SCALE --- DESIGN UNITS INCH THIRD ANGLE PROJECTION	TITLE RING TONGUE TERMINAL AVIKRIMP 500 SERIES molex
		mm	INCH																				
	4 PLACES	± ---	± ---																				
	3 PLACES	± ---	± .005																				
2 PLACES	± 0.13	± .01																					
1 PLACE	± 0.25	± ---																					
0 PLACE	±	±																					
	ANGULAR ±1/2° DRAFT WHERE APPLICABLE MUST REMAIN WITHIN DIMENSIONS	MATERIAL NO. SEE CHART	DOCUMENT NO. SD-19057-005	SHEET NO. 1 OF 1																			
		THIS DRAWING CONTAINS INFORMATION THAT IS PROPRIETARY TO MOLEX INCORPORATED AND SHOULD NOT BE USED WITHOUT WRITTEN PERMISSION																					

CUSTOMER DRAWING

MATERIAL NUMBER	ALTERNATE NUMBER	"S"	WIRE RANGE	COLOR	PACKAGING
190570026	A-532-04	.119/3.02	22-18 AWG	RED	LOOSE PIECE
190570028	A-532-06	.146/3.70	22-18 AWG	RED	
190570030	A-532-08	.173/4.39	22-18 AWG	RED	
190570027	A-532-04T	.119/3.02	22-18 AWG	RED	TAPE
190570029	A-532-06T	.146/3.70	22-18 AWG	RED	
190570031	A-532-08T	.173/4.39	22-18 AWG	RED	

(A1)



- MATERIAL: TERMINAL: COPPER
.028/.711 THICK.
FUNNEL FERRULE: BRASS
PLATING: ELECTRO TIN
INSULATION: NYLON 6/6
COLOR: SEE CHART
- MWID = MAXIMUM WIRE INSULATION DIAMETER
- ALL DIMENSIONS = INCHES / MM
- PARTS ARE ROHS COMPLIANT.

ALT NUMBER TYPO EC NO: IFC2017-0325 DRAWING: JAS01 2016/09/23 CHKD: JMAGNEIL 2016/09/23 APPR: JMAGNEIL 2016/10/06 A1	QUALITY SYMBOLS ▽=0 ▽=0	GENERAL TOLERANCES (UNLESS SPECIFIED)		DIMENSION STYLE IN/MM	SCALE ---	DESIGN UNITS INCH	THIRD ANGLE PROJECTION		
		4 PLACES ± --- ± ---	3 PLACES ± --- ± .005	DRAWN BY EDB	DATE 2001/03/23	RING TONGUE TERMINAL AVIKRIMP 500 SERIES molex			
		2 PLACES ± 0.13 ± .01	1 PLACE ± 0.25 ± ---	CHECKED BY HEB	DATE 2001/03/23				
		0 PLACE ± ±	ANGULAR ± 1/2° DRAFT WHERE APPLICABLE MUST REMAIN WITHIN DIMENSIONS	MATERIAL NO. SEE CHART	DATE APPROVED BY	DOCUMENT NO. SD-19057-005	SHEET NO. 1 OF 1		

CUSTOMER DRAWING