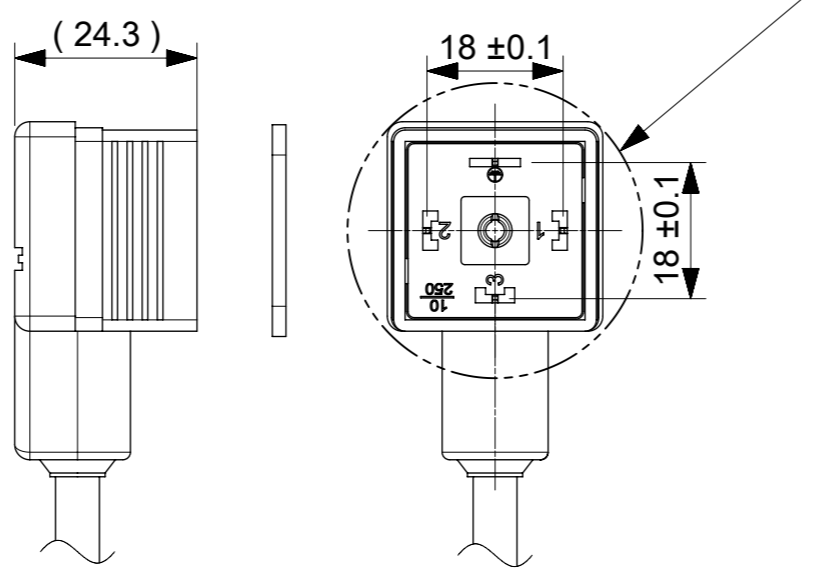
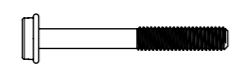


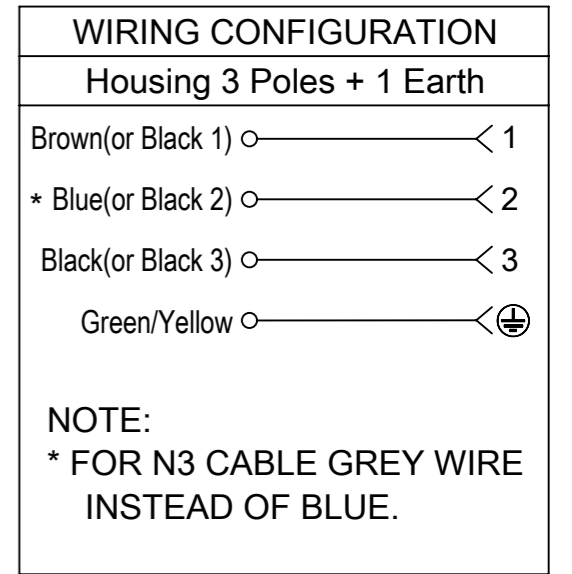
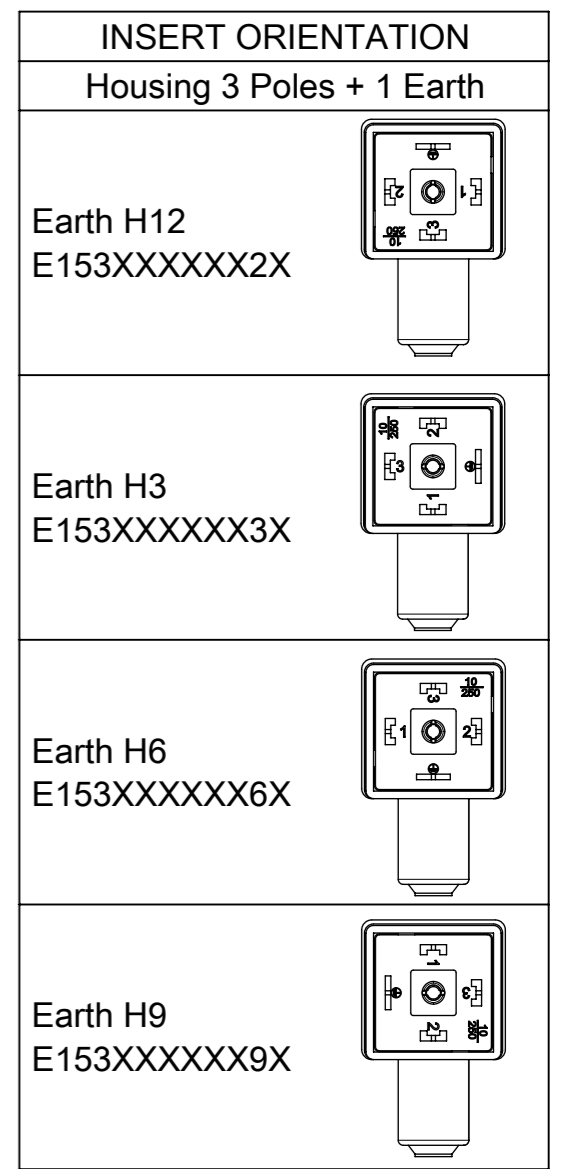
Type of Screw and Gasket
see sheet 2, PN KEY



Over	Up to and Including	TOLERANCE
0	1000	±20
1000	3000	±30
3000	5000	±40
5000	10000	±50
10000	15000	±100
15000	20000	±150
20000		±L/100

Type of Screws and Gaskets

Profiled Gasket	Flat Gasket	Integrated Gasket	Screw M3x25
			Screw M3x27 + Washer
			NBR Washer



SYMBOLS	THIS DRAWING CONTAINS INFORMATION THAT IS PROPRIETARY TO MOLEX ELECTRONIC TECHNOLOGIES, LLC AND SHOULD NOT BE USED WITHOUT WRITTEN PERMISSION		CURRENT REV DESC: REVISED		molex
	DIMENSION UNITS	SCALE			
▽ = 0	mm	1:1			PRODUCT CUSTOMER DRAWING
▽ = 0	GENERAL TOLERANCES (UNLESS SPECIFIED)				
▽ = 0	ANGULAR TOL ± °				1210401500
▽ = 0	4 PLACES ±		EC NO: 616147		DOC TYPE
▽ = 0	3 PLACES ±		DRWN: MDHARMANTI 2019/04/17		PSD
▽ = 0	2 PLACES ±		CHK'D: RSILLER 2019/04/24		000
▽ = 0	1 PLACE ±		APPR: RSILLER 2019/04/24		A1
▽ = 0	0 PLACES ±		INITIAL REVISION:		REVISION
⊠ = 0	DRAFT WHERE APPLICABLE MUST REMAIN WITHIN DIMENSIONS		DRWN: APAWLAK01 2018/05/24		SHEET NUMBER
■ = 0	THIRD ANGLE PROJECTION		APPR: RSILLER 2018/09/07		
▽ = 0			DRAWING		MATERIAL NUMBER
		A3-SIZE		SERIES	CUSTOMER
		121040		SEE 1210401500 PDP	GENERAL MARKET

PN KEY - NUMERICAL CODE (Available parts see PART LIST table. Others parts available upon request).

E 1 5 3 X X X X X X X X

E - Packing without bags
W - Single Packing

Number of wires:
3 - 3 Wires + Earth

Cable type:
See Table

Head Colour:
G - Grey
N - Black
A - CSA-UL Black
B - CSA-UL Grey

Cable Length in [cm]
Examples:
050 = 50cm
300 = 300cm
10K = 1000cm

Earth PIN location (see insert orientation table):
2 = Earth on H12
3 = Earth on H3
6 = Earth on H6
9 = Earth on H9

Type of Gasket and Screw (see sheet 1):
1 = NBR Profile Gasket + Fixing Screw M3x25mm
2 = NBR Flat Gasket + Fixing Screw M3x25mm
3 = Silicone Profile Gasket + Fixing Screw M3x25mm
4 = Silicone Flat Gasket + Fixing Screw M3x25mm
P = NBR Integrated Gasket + Fixing Screw with Washer M3x27mm Assembled on Connector
R = NBR Integrated Gasket + Fixing Screw with Washer M3x27mm NOT Assembled on Connector
T = NBR Profile Gasket + Fixing Screw with Washer M3x27mm

CABLE TYPE	NO. OF WIRES	CROSS SECTION	CABLE O.D.	CABLE JACKET	UL	CSA	STATIC: TEMP. / BENDING RADIUS	DYNAMIC: TEMP. / BENDING RADIUS	SHIELD
A2	4	AWG 20	6.2mm±0.25	PVC BLACK	UL 2661	CSA C22.2	-30°C to +105°C, 10xO.D.	-5°C to +105°C, 15xO.D.	-
A3	4	AWG 18	7.0mm+0.3/0	PVC BLACK	UL 2661	CSA C22.2	-30°C to +105°C, 10xO.D.	-5°C to +105°C, 15xO.D.	-
B2	4	AWG 20	6.3mm±0.2	PUR BLACK	UL 20668	CSA C22.2	-40°C to +90°C, 5xO.D.	-25°C to +90°C, 10xO.D.	-
B3	4	AWG 18	7.0mm±0.2	PUR BLACK	UL 20668	CSA C22.2	-40°C to +90°C, 5xO.D.	-25°C to +90°C, 10xO.D.	-
D3	4	0.75mm ²	7.45mm±0.85	PVC GREY	-	-	-20°C to +70°C, 3xO.D.	-15°C to +70°C, 5xO.D.	-
I2	4	0.5mm ²	6.5mm±0.2	PVC GREY	-	-	-25°C to +70°C, 10xO.D.	-5°C to +70°C, 15xO.D.	-
I3	4	0.75mm ²	7.0mm±0.2	PVC GREY	-	-	-25°C to +70°C, 10xO.D.	-5°C to +70°C, 15xO.D.	-
N2	4	0.5mm ²	6.05mm±0.2	PVC BLACK	-	-	-20°C to +70°C	+5°C to +70°C	-
N3	4	0.75mm ²	7.45mm±0.85	PVC BLACK	-	-	-20°C to +70°C, 3xO.D.	-15°C to +70°C, 5xO.D.	-
P2	4	0.5mm ²	6.5mm±0.2	PUR BLACK	-	-	-40°C to +90°C, 7.5xO.D.	-15°C to +90°C, 12.5xO.D.	-
P3	4	0.75mm ²	6.9mm±0.1	PUR BLACK	-	-	-40°C to +90°C	-15°C to +90°C, 10xO.D.	-
W3	4	0.75mm ²	7.0mm	WSOR BLACK	-	-	-	-25°C to +80°C, 7.5xO.D.	-
W4	4	1mm ²	7.6mm	WSOR BLACK	-	-	-	-25°C to +80°C, 7.5xO.D.	-

Specification:
Current: max. 5A
Voltage: 250V
Contact Resistance: 15milliohms max.
Operating Temperature with:
NBR Gasket: -40°C +90°C
Silicone Gasket: -40°C +125°C

Notes:
1. Please see excel sheet 1210401500_PDP for currently configured part numbers.

SYMBOLS	THIS DRAWING CONTAINS INFORMATION THAT IS PROPRIETARY TO MOLEX ELECTRONIC TECHNOLOGIES, LLC AND SHOULD NOT BE USED WITHOUT WRITTEN PERMISSION		CURRENT REV DESC: REVISED		molex	
	DIMENSION UNITS	SCALE	GENERAL TOLERANCES (UNLESS SPECIFIED)			
	▽ = 0	mm	1:1	ANGULAR TOL ± °		STANDARD E153 DIN FORM A EN 175301-803
	▽ = 0			4 PLACES ±		PRODUCT CUSTOMER DRAWING
▽ = 0			3 PLACES ±			
▽ = 0			2 PLACES ±			
▽ = 0			1 PLACE ±		DOCUMENT NUMBER	
▽ = 0			0 PLACES ±			1210401500
□ = 0	DRAFT WHERE APPLICABLE MUST REMAIN WITHIN DIMENSIONS		THIRD ANGLE PROJECTION	DRAWING	SERIES	MATERIAL NUMBER
▽ = 0				A3-SIZE	121040	SEE 1210401500 PDP
			CUSTOMER	SHEET NUMBER		
			GENERAL MARKET	2 OF 2		