

System regulator for hard disk drive systems

BD9722FV

BD9722FV is a system regulator to convert into two systems of power supply from 5V. One is a synchronous rectification DC/DC controller. It enables to determine 1.0~3.3V output with external resistor and to provide power supply to a high current system. Another is a series power supply of an external NPN Tr drive type. It can be set up either 1.8V or 2.5V in a CTL terminal.

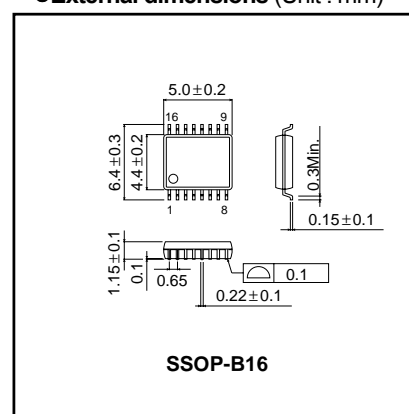
●Applications

HDD, PC

●Features

- 1) High accurate Feed Back voltage ($\pm 2\%$).
- 2) Synchronous rectification.
- 3) Gate drives for external Nch MOSFET's.
- 4) Short circuit protector with latch.
- 5) Under voltage lockout.
- 6) Soft start circuit.
- 7) Drives external NPN transistor for Vpp.
- 8) Variable switch of Vpp voltage (1.8V or 2.5V).

●External dimensions (Unit : mm)



●Absolute maximum rating (Ta=25°C)

Parameter	Symbol	Limits	Unit
Supply voltage1(Vcc-GND)	Vcc	-0.3 to +15	V
Supply voltage2(PVcc1-SW)	PVcc1-1	-0.3 to +7.5	V
Supply voltage3(PVcc2-PGND)	PVcc2	-0.3 to +7.5	V
Supply voltage4(PVcc1-GND)	PVcc1-2	-0.3 to +15	V
Power dissipation	Pd	450 ^{*1}	mW
Operating temperature range	Topr	0 to +70	°C
Storage temperature range	Tstg	-55 to +125	°C

*1:Reduced by 4.5 mW for each increase in Ta of 1°C over 25°C
(when mounted on a board 50.0mm×50.0mm×1.6mm)

●Recommended operating conditions (Ta=25°C)

Parameter	Symbol	MIN.	TYP.	MAX.	Unit
Supply voltage1(Vcc-GND)	Vcc	4.2	-	13.0	V
Supply voltage2(PVcc1-SW)	PVcc1-1	4.2	-	6.5	V
Supply voltage3(PVcc2-PGND)	PVcc2	4.2	-	6.5	V
Supply voltage4(PVcc1-GND)	PVcc1-2	4.2	-	13.0	V
Output pin current	Io	-	-	200	mA

*In the case of boost-up of PVcc1, the voltage is approximately twice as much as PVcc2.

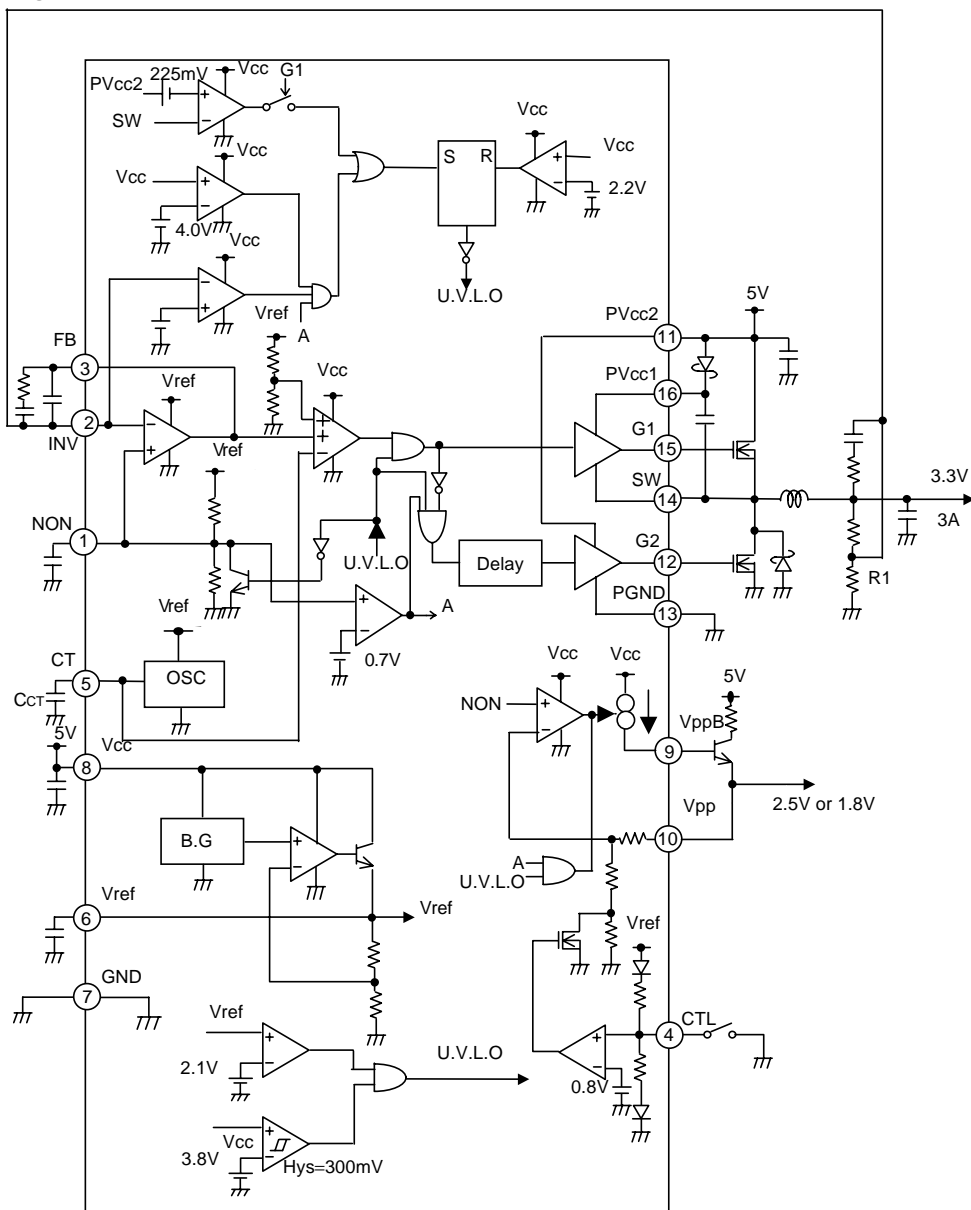
Regulators

●Electrical characteristics (Unless otherwise noted. Ta=25°C, Vcc=PVcc1=PVcc2=5V, CTL=GND)

Parameter	Symbol	MIN.	TYP.	MAX.	Unit	Conditions
Output voltage	VREF	2.4	2.5	2.6	V	Iref=1mA
Oscillator frequency	FOSC	240	300	360	kHz	CCT=150pF
Maximum duty cycle	DMAX	80	83	86	%	VINV=0.9V, CCT=150pF
Threshold voltage	VUT	3.65	3.8	3.95	V	Vcc Voltage
Error amplifier reference voltage	NON	0.980	1.000	1.020	V	CTL=GND
Output rise/Fall time	Tr/Tf	-	80	-	ns	Cgate=2000pF, PVcc×0.1 ⇔ PVcc×0.9
Output voltage1	Vpp1	2.4	2.5	2.6	V	2SC2411K, CTL Open/High
Output voltage2	Vpp2	1.7	1.8	1.9	V	2SC2411K, CTL Low
VppB pin maximum current	IvppB	12	20	-	mA	VppB=3.2V

*Designed Guarantee (Outgoing inspection is not done on all products.)

●Block Diagram



Notes

- No technical content pages of this document may be reproduced in any form or transmitted by any means without prior permission of ROHM CO.,LTD.
- The contents described herein are subject to change without notice. The specifications for the product described in this document are for reference only. Upon actual use, therefore, please request that specifications to be separately delivered.
- Application circuit diagrams and circuit constants contained herein are shown as examples of standard use and operation. Please pay careful attention to the peripheral conditions when designing circuits and deciding upon circuit constants in the set.
- Any data, including, but not limited to application circuit diagrams information, described herein are intended only as illustrations of such devices and not as the specifications for such devices. ROHM CO.,LTD. disclaims any warranty that any use of such devices shall be free from infringement of any third party's intellectual property rights or other proprietary rights, and further, assumes no liability of whatsoever nature in the event of any such infringement, or arising from or connected with or related to the use of such devices.
- Upon the sale of any such devices, other than for buyer's right to use such devices itself, resell or otherwise dispose of the same, no express or implied right or license to practice or commercially exploit any intellectual property rights or other proprietary rights owned or controlled by
- ROHM CO., LTD. is granted to any such buyer.
- Products listed in this document use silicon as a basic material.
Products listed in this document are no antiradiation design.

The products listed in this document are designed to be used with ordinary electronic equipment or devices (such as audio visual equipment, office-automation equipment, communications devices, electrical appliances and electronic toys).

Should you intend to use these products with equipment or devices which require an extremely high level of reliability and the malfunction of which would directly endanger human life (such as medical instruments, transportation equipment, aerospace machinery, nuclear-reactor controllers, fuel controllers and other safety devices), please be sure to consult with our sales representative in advance.

About Export Control Order in Japan

Products described herein are the objects of controlled goods in Annex 1 (Item 16) of Export Trade Control Order in Japan.

In case of export from Japan, please confirm if it applies to "objective" criteria or an "informed" (by MITI clause) on the basis of "catch all controls for Non-Proliferation of Weapons of Mass Destruction.