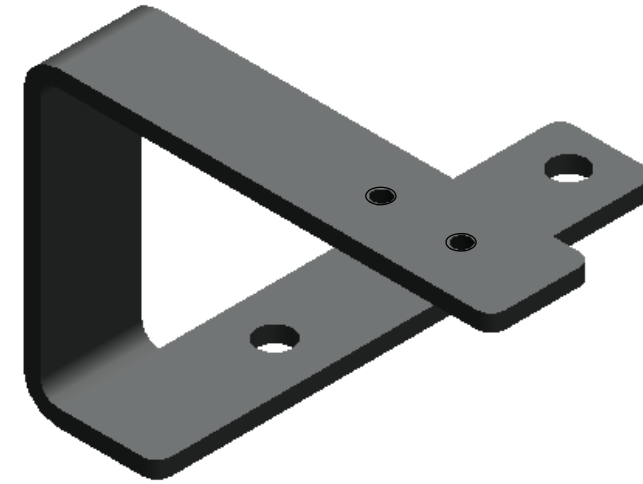
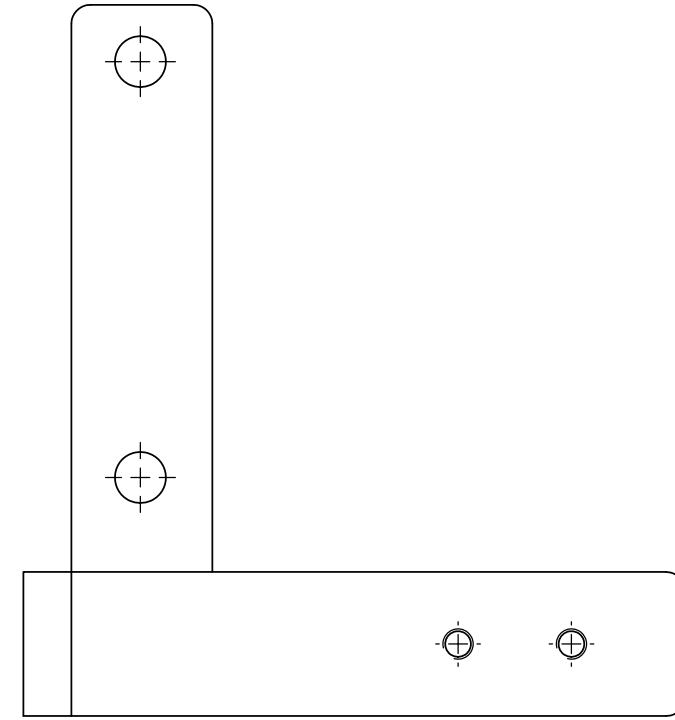
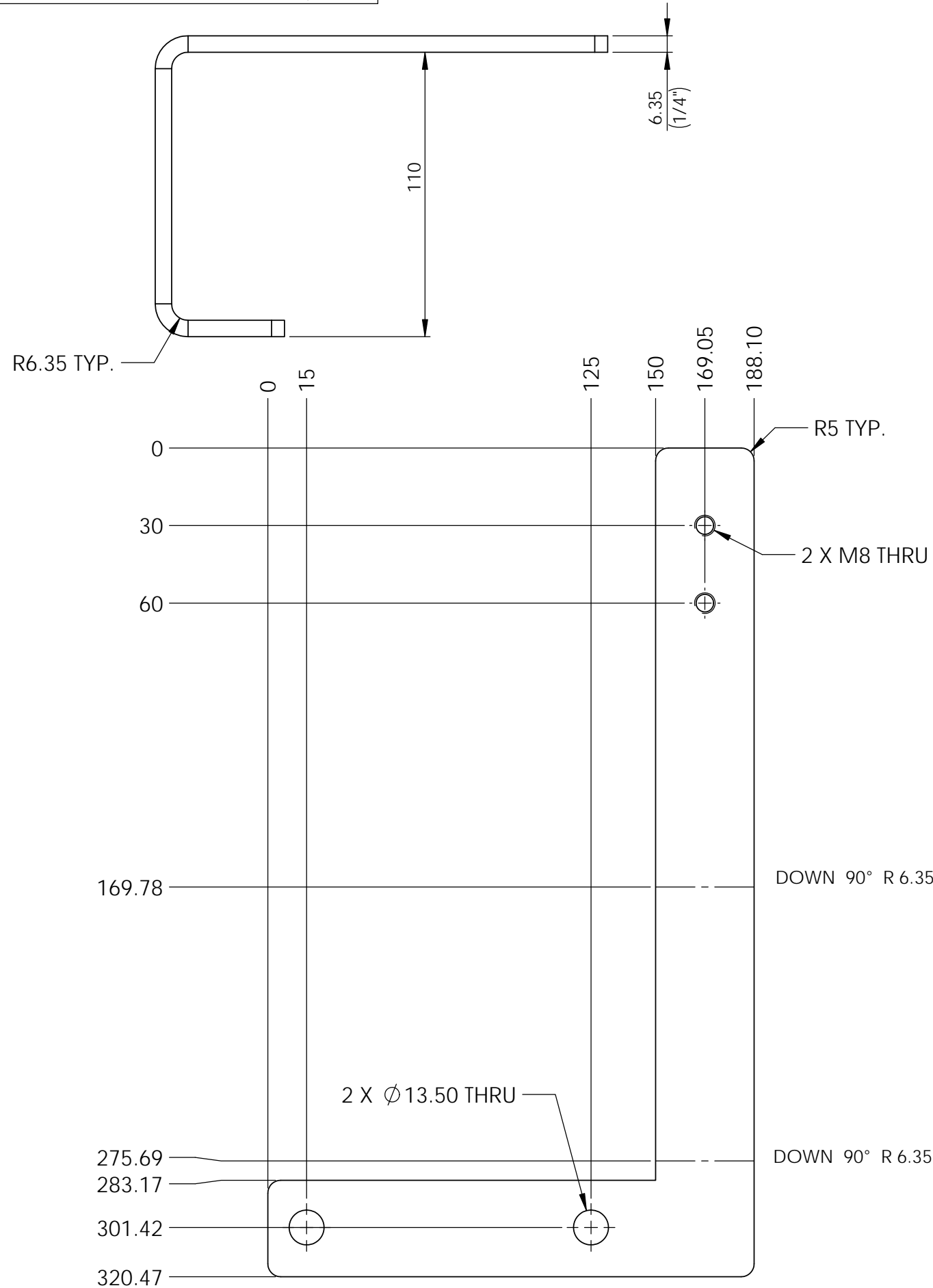



© 2016 MURRPLASTIK SYSTEMS, INC. THIS DOCUMENT IS THE SOLE AND EXCLUSIVE PROPERTY OF MURRPLASTIK SYSTEMS, INC. THE DOCUMENT AND ANY INFORMATION CONTAINED HEREIN MAY NOT BE COPIED, REPRODUCED OR USED IN ANY MANNER WITHOUT THE EXPRESS WRITTEN CONSENT OF MURRPLASTIK SYSTEMS, INC.



UNLESS OTHERWISE SPECIFIED DIMENSIONS ARE IN MM TOLERANCES ARE: DECIMALS    ANGLES X ± .5        ± 1° .X ± .25 .XX ± .125	MATERIAL: HRS, 1/4"	  <b>Murrplastik Systems, Inc.</b> 1175 US Highway 50 Milford, OH 45150 513-201-3069
	FINISH: POWDERCOAT, BLACK	
SCALE 1:2		TITLE R2000 A2 System Holder Mount Lower
THIRD ANGLE PROJECTION	APPROVALS DRAWN DJS 5/19/2017	DATE 5/19/2017
DO NOT SCALE DRAWING	CHECKED RH 5/19/2017	SIZE DWG. NO. <b>A3</b> 83800008

1	DWG NO. changed from FAN2K-A2L-SH	02/2018	DJS
ECN	REV.	DATE	CHG. BY
	DESCRIPTION		

