



# MIC2551

## USB Transceiver

### General Description

The MIC2551 is a single chip transceiver that complies with the physical layer specifications of the Universal Serial Bus (USB) 2.0. It supports both full speed (12Mbps) and low speed (1.5Mbps) operation. It is also designed to operate down to 1.6V in order to be compatible with lower system voltages of most mobile systems.

### Features

- Compliant to USB Specification Revision 2.0 for full speed (12Mbps) and low speed (1.5Mbps) operation
- Compliant to IEC-61000-4.2 (Level 3)
- Separate I/O supply with operation down to 1.6V
- Integrated speed select termination supply
- Very-low power consumption to meet USB suspend-current requirements
- Small TSSOP and MLF<sup>®</sup> packages
- No power supply sequencing requirements
- Software controlled re-enumeration

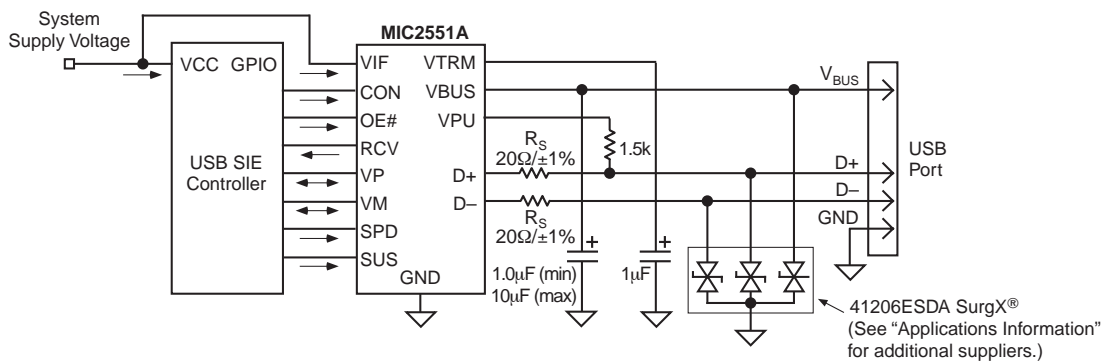
### Applications

- PDAs
- Palmtops
- Cell phones

### Ordering Information

| Part Number |            | Package                 |
|-------------|------------|-------------------------|
| Standard    | Pb-Free    |                         |
| MIC2551BTS  | MIC2551YTS | 14-Pin TSSOP            |
| MIC2551BML  | MIC2551YML | 16-Pin MLF <sup>®</sup> |

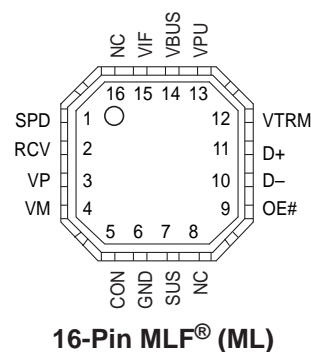
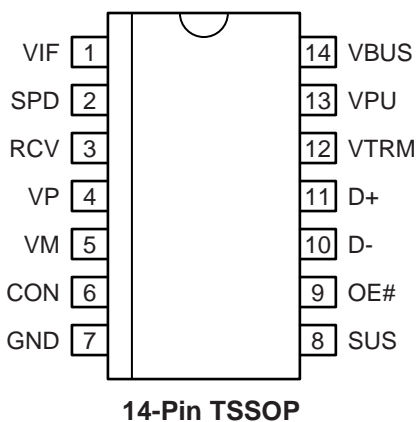
### Typical Application



Typical Application Circuit

MicrLeadFrame and MLF are registered trademarks of Amkor Technology. SurgX is a registered trademark of Cooper Electronics Technologies.

## Pin Configuration



## Pin Description

| Pin Number<br>MIC2551BTS | Pin Number<br>MIC2551BML | Pin Name | I/O | Pin Function   |
|--------------------------|--------------------------|----------|-----|--|
| 1                        | 15                       | VIF      | I   | System Interface Supply Voltage: Used to provide reference supply voltage for system I/O interface signaling.  |
| 2                        | 1                        | SPD      | I   | Edge Rate Control: A logic HIGH operates at edge rates for "full speed" operation. A logic LOW operates edge rates for "low speed" operation.          |
| 3                        | 2                        | RCV*     | O   | Receive Data: Output for USB differential data.  |
| 4                        | 3                        | VP*      | I/O | If OE# = 1, VP = Receiver output (+)<br>If OE# = 0, VP = Driver input (+)  |
| 5                        | 4                        | VM*      | I/O | If OE# = 1 VM, = Receiver output (-)<br>If OE# = 0, VM = Driver input (-)  |
| 6                        | 5                        | CON      | I   | CONNECT (Input): Controls state of VPU. Refer to VPU pin description for detail.   |
| 7                        | 6                        | GND      |     | Ground Reference.  |
| 8                        | 7                        | SUS      | I   | Suspend: Active-High. Turns off internal circuits to reduce supply current.  |
| 9                        | 9                        | OE#*     | I   | Output Enable: Active-Low. Enables the transceiver to transmit data onto the bus. When not active, the transceiver is in the receive mode.             |
| 10/11                    | 10/11                    | D-, D+*  | I/O | Differential data lines conforming to the USB standard.  |
| 12                       | 12                       | VTRM     | O   | 3.3V Reference Supply Output: Requires a minimum 0.1 $\mu$ F decoupling capacitor for stability, 1 $\mu$ F recommended. <sup>4</sup>                   |
| 13                       | 13                       | VPU      | O   | Pull-up Supply Voltage Output: Used to connect 1.5k $\Omega$ pull-up speed detect resistor. If CON = 1, VPU is high impedance. If CON = 0, VPU = 3.3V. |
| 14                       | 14                       | VBUS     | I   | USB Bus Supply Voltage: Used to power USB transceiver and internal circuitry.  |
|                          | 8,16                     | NC       |     | No connect.  |

\* See Table 1 for description of logic states.

| SUS | OE# | D+, D-    | RCV    | VP/VM      | Function  |
|-----|-----|-----------|--------|------------|---|
| 0   | 0   | Driving   | Active | Active     | Normal transmit mode                                |
| 0   | 1   | Receiving | Active | Active     | Normal receive mode                                 |
| 1   | 0   | Hi-Z      | 0      | Not active | Low power state                                     |
| 1   | 1   | Hi-Z      | 0      | Active     | Receiving during suspend (low power state) (Note 1) |

Note 1. During suspend VP and VM are active in order to detect out of band signaling conditions.

**Table 1. Function Selection**

| OE# = 0: |    |        |    |     |           |
|----------|----|--------|----|-----|-----------|
| Input    |    | Output |    |     | Result    |
| VP       | VM | D+     | D- | RCV |           |
| 0        | 0  | 0      | 0  | X   | SE0       |
| 0        | 1  | 0      | 1  | 0   | Logic 0   |
| 1        | 0  | 1      | 0  | 1   | Logic 1   |
| 1        | 1  | 1      | 1  | X   | Undefined |
| OE# = 1: |    |        |    |     |           |
| Input    |    | Output |    |     | Result    |
| D+       | D- | VP     | VM | RCV |           |
| 0        | 0  | 0      | 0  | X   | SE0       |
| 0        | 1  | 0      | 1  | 0   | Logic 0   |
| 1        | 0  | 1      | 0  | 1   | Logic 1   |
| 1        | 1  | 1      | 1  | X   | Undefined |

X - Undefined

**Table 2. Truth Table During Normal Mode**

**Absolute Maximum Ratings (Note 1)**

|                              |                 |
|------------------------------|-----------------|
| Supply Voltage ( $V_{BUS}$ ) | 6.5V            |
| All Other Inputs             | -0.5V to 5.5V   |
| Ambient Storage Temperature  | -65°C to +150°C |
| Output Current (D+, D-)      | ± 50mA          |
| Output Current (all others)  | ±15mA           |
| Input Current                | ±50mA           |

**ESD, Note 3**

|                    |       |
|--------------------|-------|
| $V_{BUS}$ , D+, D- | ±11KV |
| All other pins     | ±2KV  |

**Operating Ratings (Note 2)**

|                               |                |
|-------------------------------|----------------|
| Ambient Operating Temperature | -40°C to +85°C |
| Package Thermal Resistance    |                |
| TSSOP ( $\theta_{JA}$ )       | 100°C/W        |
| MLF® ( $\theta_{JA}$ )        | 59°C/W         |

**DC Electrical Characteristics (System and USB Interface) (Note 7)**

$V_{IF} = 3.6V$ ,  $V_{BUS} = 5V$  unless otherwise noted;  $T_A = 25^\circ C$ . **Bold** indicates specifications over temperature, -40°C to 85°C.

| Symbol    | Parameter                                | Conditions         | Min          | Typ | Max          | Units   |
|-----------|--|--------------------|--------------|-----|--------------|---------|
| $V_{BUS}$ | USB Supply Voltage                       |                    | <b>4.0</b>   |     | <b>5.25</b>  | V       |
| $V_{IF}$  | System I/F Supply Voltage                |                    | <b>1.6</b>   |     | <b>3.6</b>   | V       |
| $V_{IL}$  | LOW-Level Input Voltage, <b>Note 4</b>   |                    | $V_{IF}-0.3$ |     | $0.15V_{IF}$ | V       |
| $V_{IH}$  | HIGH-Level Input Voltage, <b>Note 4</b>  |                    | $0.85V_{IF}$ |     | $V_{IF}+0.3$ | V       |
| $V_{OH}$  | HIGH-Level Output Voltage, <b>Note 4</b> | $I_{OH} = 20\mu A$ | $0.9V_{IF}$  |     |              | V       |
| $V_{OL}$  | LOW-Level Output Voltage, <b>Note 4</b>  | $I_{OL} = 20\mu A$ |              |     | 0.1          | V       |
| $I_{IL}$  | Input Leakage Current, <b>Note 4</b>     |                    | <b>-5</b>    |     | <b>5</b>     | $\mu A$ |

| Symbol        | Parameter                    | Conditions   |     |     |                                      |      | Min                                     | Typ         | Max        | Units    |
|---------------|------------------------------|--|-----|-----|--------------------------------------|------|---|-------------|------------|----------|
|               |                              | SPD  | SUS | OE# | Voltage                              | Load |   |             |            |          |
| $I_{IF}$      | VIF Supply Current           | 1  | 0   | 1   | $V_{BUS} = 5.25V$<br>$V_{IF} = 3.6V$ |      | 1                                       | <b>5</b>    | $\mu A$    |          |
|               |                              | 1  | 0   | 0   |                                      |      | 1                                       | <b>5</b>    | $\mu A$    |          |
|               |                              | 0  | 0   | 1   |                                      |      | 1                                       | <b>5</b>    | $\mu A$    |          |
|               |                              | 0  | 0   | 0   |                                      |      | 1                                       | <b>5</b>    | $\mu A$    |          |
|               |                              | 0  | 1   | 0   |                                      |      | 1                                       | <b>5</b>    | $\mu A$    |          |
|               |                              | 1  | 0   | 0   |                                      |      | f = 6MHz CLOAD = 50 pF, <b>Note 7</b>   | 325         | <b>650</b> | $\mu A$  |
|               |                              | 0  | 0   | 0   |                                      |      | f = 750kHz CLOAD = 600 pF <b>Note 7</b> | 40          | <b>75</b>  | $\mu A$  |
| $I_{VBUS}$    | VBUS Supply Current          | 1  | 0   | 1   | $V_{BUS} = 5.25V$<br>$V_{IF} = 3.6V$ |      | 800                                     | 1100        | $\mu A$    |          |
|               |                              | 1  | 0   | 0   |                                      |      | 3000                                    | <b>5000</b> | $\mu A$    |          |
|               |                              | 0  | 0   | 1   |                                      |      | 230                                     | <b>350</b>  | $\mu A$    |          |
|               |                              | 0  | 0   | 0   |                                      |      | 400                                     | 700         | $\mu A$    |          |
|               |                              | 0  | 1   | 0   |                                      |      | 130                                     | 200         | $\mu A$    |          |
|               |                              | 1  | 0   | 0   |                                      |      | f = 6MHz CLOAD = 50 pF, <b>Note 7</b>   | 7.3         | <b>10</b>  | mA       |
|               |                              | 0  | 0   | 0   |                                      |      | f = 750kHz CLOAD = 600 pF <b>Note 7</b> | 3.6         | <b>5</b>   | mA       |
| $I_{VPULEAK}$ | VPU Leakage Current          | CON = 1, $V_{PU} = 0V$                             |     |     |                                      |      | <b>-5</b>                               |             | <b>5</b>   | $\mu A$  |
| $I_{VIFLEAK}$ | VIF Leakage Current          | $V_{IF} = 3.6V$ , $V_{BUS} = 0V$                   |     |     |                                      |      | <b>-5</b>                               |             | <b>5</b>   | $\mu A$  |
| $V_{PU}$      | Pull-Up Output Voltage       | $I_{TERM} = 200\mu A$ , $V_{BUS} = 4.0$ to $5.25V$ |     |     |                                      |      | <b>3.0</b>                              | 3.3         | <b>3.6</b> | V        |
| $R_{SW}$      | Internal Pull-Up Termination | $I_{TERM} = 10mA$ , $V_{BUS} = 4.0$ to $5.25V$     |     |     |                                      |      |   | 10          |            | $\Omega$ |

**ESD Protection**

|                          |                   |           |  |    |  |    |
|--------------------------|-------------------|-----------|--|----|--|----|
| IEC-1000-4-2             | Air Discharge     | 10 pulses |  | ±8 |  | kV |
| (D+, D-, $V_{BUS}$ only) | Contact Discharge | 10 pulses |  | ±9 |  | kV |

**DC Electrical Characteristics (Transceiver) (Note 7)**

| Symbol                 | Parameter                                   | Conditions                     | Min | Typ | Max | Units    |
|------------------------|---|--------------------------------|-----|-----|-----|----------|
| <b>Leakage Current</b> |   |                                |     |     |     |          |
| $I_{LO}$               | Hi-Z State Data Line Leakage (Suspend Mode) | $0V < V_{IN} < 3.3V$ , SUS = 1 | -10 |     | 10  | $\mu A$  |
| <b>Input Levels</b>    |   |                                |     |     |     |          |
| $V_{DI}$               | Differential Input Sensitivity              | $ (D+) - (D-) $                | 0.2 |     |     | V        |
| $V_{CM}$               | Differential Common Mode Range              | Includes $V_{DI}$ range        | 0.8 |     | 2.5 | V        |
| $V_{SE}$               | Single Ended Receiver Threshold             |                                | 0.8 |     | 2.0 | V        |
|                        | Receiver Hysteresis                         |                                |     | 200 |     | mV       |
| <b>Output Levels</b>   |   |                                |     |     |     |          |
| $V_{OL}$               | Static Output Low                           | $R_L = 1.5k\Omega$ to 3.6V     |     |     | 0.3 | V        |
| $V_{OH}$               | Static Output High                          | $R_L = 15k\Omega$ to GND       | 2.8 |     | 3.6 | V        |
| <b>Capacitance</b>     |   |                                |     |     |     |          |
| $C_{IN}$               | Transceiver Capacitance                     | Pin to GND                     |     | 10  |     | pF       |
| $Z_{DRV}$              | Driver Output Resistance                    | Steady state drive             | 8   | 16  | 24  | $\Omega$ |

**AC Electrical Characteristics (Notes 6, 7)****Driver Characteristics (Low Speed)**

|            |                                 |  |     |  |     |    |
|------------|---------------------------------|--|-----|--|-----|----|
| $T_R$      | Transition Rise Time            | $C_L = 50pF$ , Figure 2<br>$C_L = 600pF$ | 75  |  | 300 | ns |
| $T_F$      | Transition Fall Time            | $C_L = 50pF$ , Figure 2<br>$C_L = 600pF$ | 75  |  | 300 | ns |
| $T_R, T_F$ | Rise/Fall Time Matching         | $(T_R, T_F)$                             | 80  |  | 125 | %  |
| $V_{CRS}$  | Output Signal Crossover Voltage |  | 1.3 |  | 2.0 | V  |

**Driver Characteristics (Full Speed)**

|            |                                 |                         |     |  |        |    |
|------------|---------------------------------|-------------------------|-----|--|--------|----|
| $T_R$      | Transition Rise Time            | $C_L = 50pF$ , Figure 2 | 4   |  | 20     | ns |
| $T_F$      | Transition Fall Time            | $C_L = 50pF$ , Figure 2 | 4   |  | 20     | ns |
| $T_R, T_F$ | Rise/Fall Time Matching         | $(T_R, T_F)$            | 90  |  | 111.11 | %  |
| $V_{CRS}$  | Output Signal Crossover Voltage |                         | 1.3 |  | 2.0    | V  |

**Transceiver Timing**

|                        |  |          |    |  |    |    |
|------------------------|--|----------|----|--|----|----|
| $t_{PVZ}$              | OE# to RCVR Tri-State Delay            | Figure 1 |    |  | 15 | ns |
| $t_{PZD}$              | Receiver Tri-State to Transmit Delay   | Figure 1 | 15 |  |    | ns |
| $t_{PDZ}$              | OE# to DRVR Tri-State Delay            | Figure 1 |    |  | 15 | ns |
| $t_{PZV}$              | Driver Tri-State to Receive Delay      | Figure 1 | 15 |  |    | ns |
| $t_{PLH}$<br>$t_{PHL}$ | VP, VM to D+, D- Propagation Delay     | Figure 4 |    |  | 15 | ns |
| $t_{PLH}$<br>$t_{PHL}$ | D+, D- to RCV Propagation Delay        | Figure 3 |    |  | 15 | ns |
| $t_{PLH}$<br>$t_{PHL}$ | D+, D- to $V_P, V_M$ Propagation Delay | Figure 3 |    |  | 8  | ns |

**Note 1.** Exceeding the absolute maximum rating may damage the device.

**Note 2.** The device is not guaranteed to function outside its operating rating.

**Note 3.** Devices are ESD sensitive. Handling precautions recommended. Human body model, 1.5k in series with 100pF.

**Note 4.** Specification applies to the following pins: SUS, SPD, RCV, CON, RCV, VP, VM, OE#.

**Note 5.** Characterized specification(s), but not production tested.

**Note 6.** All AC parameters guaranteed by design but not production tested.

**Note 7.** Specification for packaged product only.

## Timing Diagrams

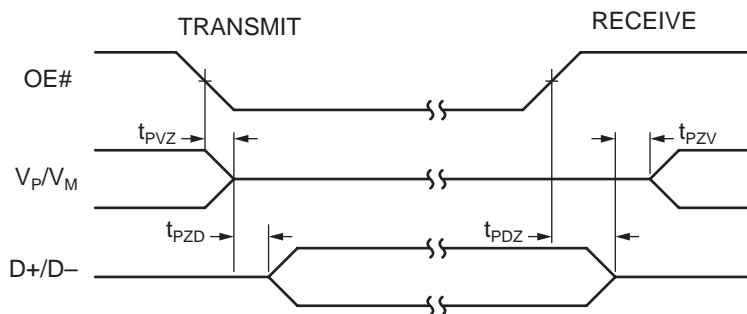


Figure 1. Enable and Disable Times

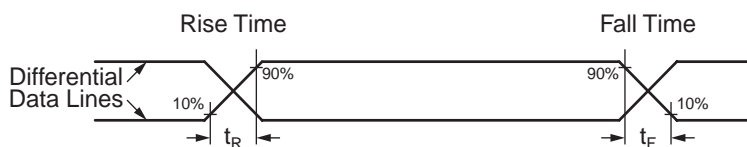


Figure 2. Rise and Fall Times

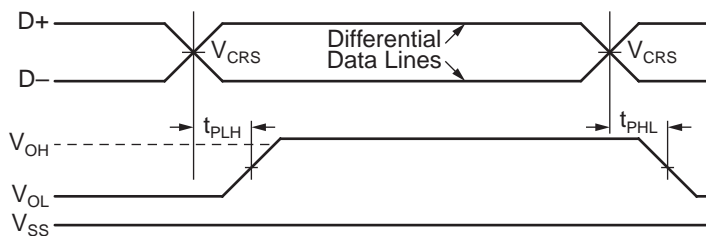


Figure 3. Receiver Propagation Delay

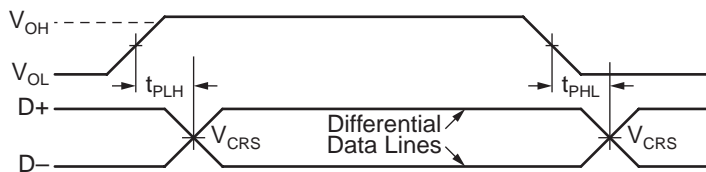


Figure 4. Driver Propagation Delay

## Test Circuits

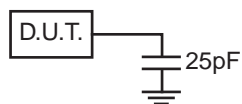


Figure 5. Load for V<sub>P</sub>, V<sub>M</sub>, RCV

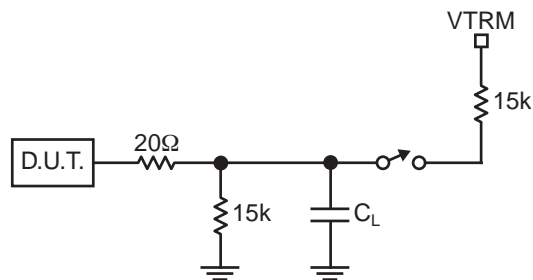
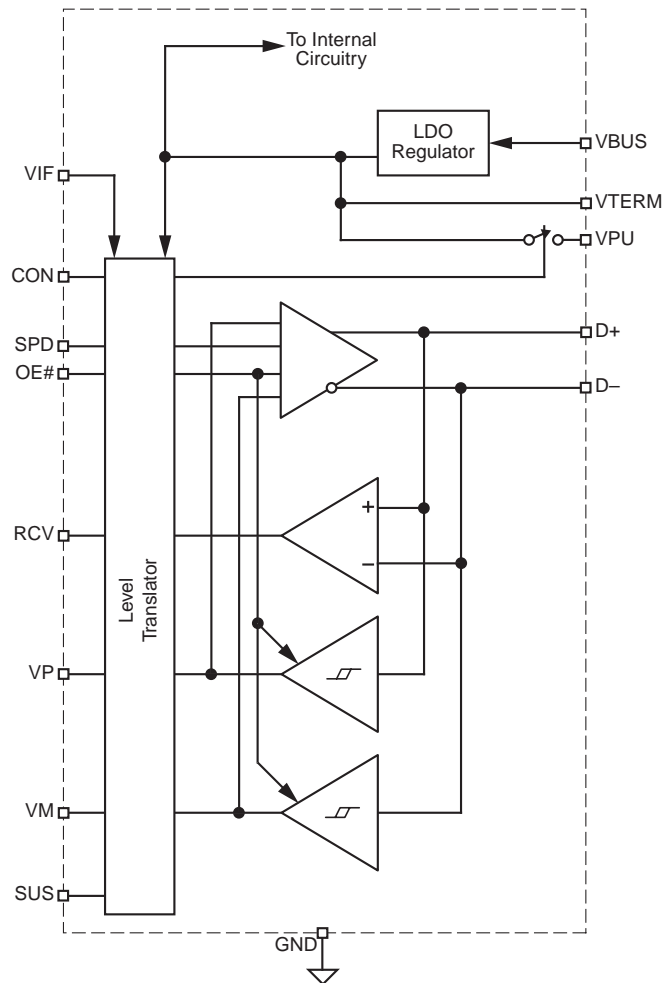


Figure 6. Load for D<sub>+</sub>, D<sub>-</sub>

## Functional Diagram



MIC2551 Block Diagram

## Functional Description

The MIC2551 is designed to provide USB connectivity in mobile systems where available system supply voltages are not able to satisfy USB requirements. The MIC2551 can operate down to supply voltages of 1.6V and still meet USB physical layer specifications. As shown in the circuit above, the MIC2551 takes advantage of the USB supply voltage,  $V_{BUS}$ , to operate the transceiver. The system voltage,  $V_{IF}$ , is used to set the reference voltage used by the digital I/O lines interfacing to the system controller. Internal circuitry provides translation between the USB and system voltage domains.  $V_{IF}$  will typically be the main supply voltage rail for the controller.

In addition, a 3.3V, 10% termination supply voltage,  $V_{PU}$ , is provided to support speed selection.  $V_{PU}$  can be disabled or enabled under software control via the CON input. This allows for software-controlled connect or disconnect states. A 1.5k resistor is required to be connected between this pin and the D+ or D- lines to respectively specify high speed or low speed operation.

The use of ESD transient protection devices is not required for operation, but is recommended. The MIC2551 is ESD rated for 11kV at the VBUS and D+, D- pins and 2kV for all other pins.

## Application Information

### Power Supply Configuration

The MIC2551 can be set up for different power supply configurations which modify the behavior of the device. Both  $V_{BUS}$  and  $V_{IF}$  have special thresholds that detect when they are either removed or grounded. Table 3 depicts the behavior under the different power supply configuration scenarios that are explained below.

#### Normal Mode

$V_{BUS}$  is connected to the 5.0V USB bus voltage and  $V_{IF}$  is connected to a supply voltage in the range of 1.6V to 3.6V. In this case  $V_{TRM}$  supplies a 3.3V voltage for powering the speed select resistor via  $V_{PU}$  depending on the state of the CON pin.

#### Disconnect Mode

$V_{IF}$  is connected to a supply in a range of 1.6V to 3.6V and  $V_{BUS}$  is open or grounded. If  $V_{BUS}$  is opened while transmitting, the data lines (D+, D-) have sharing capability and may be driven with external devices up to approximately 3.6V if, and only if, SUSPEND is enabled ( $SUS = 1$ ). With  $V_{BUS}$  ground, D+, D- sharing mode is not permitted.

#### Disable Mode

$V_{BUS}$  is connected to the 5.0V USB bus voltage and  $V_{IF}$  is open. All logic controlled inputs become high impedances, thus minimal current will be supplied by  $V_{IF}$  if the input pins are pulled up to an external source.

### Alternate Power Supply Configuration Options

#### I/O Interface Using 3.3V

In systems where the I/O interface utilizes a 3.3V USB controller, an alternate solution is shown in Figure 7. No extra components are required; however, the load on  $V_{TRM}$  must not exceed 10mA.

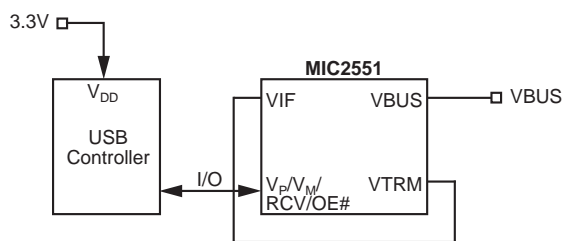


Figure 7. I/O Interface Uses 3.3V

### Signal Amplitude Respective to $V_{IF}$

When operating the MIC2551, it is necessary to provide input signals which do not exceed  $V_{IF} + 0.3V$ .

### External ESD Protection

The use of ESD transient protection devices is not required for operation, but is recommended. We recommend the following devices or the equivalent:

Cooper Electronic Technologies ([www.cooperet.com](http://www.cooperet.com))

41206ESDA SurgX<sup>®</sup>

0805ESDA SurgX<sup>®</sup>

Littelfuse ([www.littelfuse.com](http://www.littelfuse.com))

V0402MHS05

SP0503BAHT

### Non-Multiplexed Bus

In order to save pin count for the USB logic controller interface, the MIC2551 was designed with  $V_P$  and  $V_M$  as bi-directional pins. To interface the MIC2551 with a non-multiplexed data bus, resistors can be used for low cost isolation as shown in Figure 8.

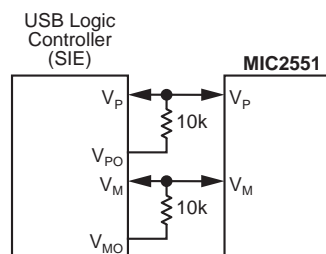


Figure 8. MIC2551 Interface to Non-Multiplexed Data Bus

| Configuration Mode         | VBUS/VTRM | VIF       | Notes  |
|----------------------------|-----------|-----------|--|
| Normal                     | Connected | Connected | Normal supply configuration and operation.   |
| Disconnect (D+/D- sharing) | Open      | Connected | VP/VM are HIGH outputs, RCV is LOW. With OE# = 0 and SUS = 1, data lines may be driven with external devices up to 3.6V. With D+, D- floating, $I_{IF}$ draws less than 1 $\mu$ A. |
| Disconnect                 | Ground    | Connected | VP/VM are HIGH outputs, RCV is LOW. With D+, D- floating, $I_{IF}$ draws less than 1 $\mu$ A.  |
| Disable Mode               | Connected | Open      | Logic controlled inputs pins are Hi-Z.   |
| Prohibited                 | Connected | Ground    | Prohibited condition.  |

Table 3. Power Supply Configuration

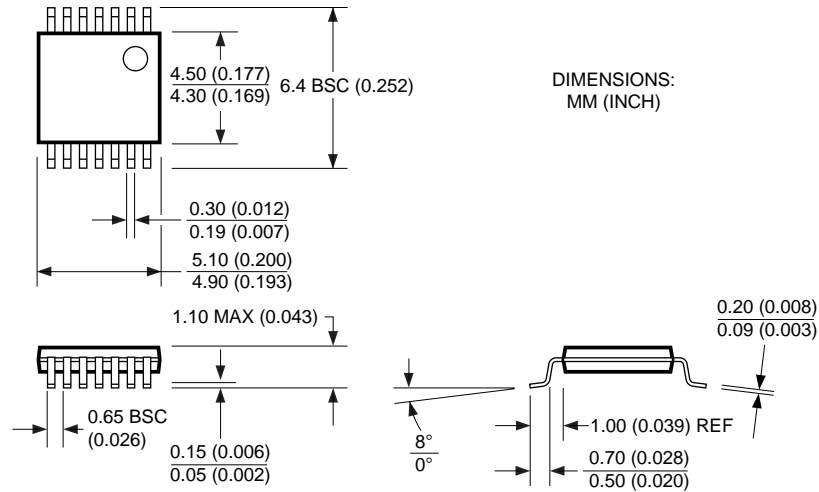


## PCB Layout Recommendations

Although the USB standard and applications are not based in an impedance controlled environment, a properly designed PCB layout is recommended for optimal transceiver performance. The suggested PCB layout hints are as follows:

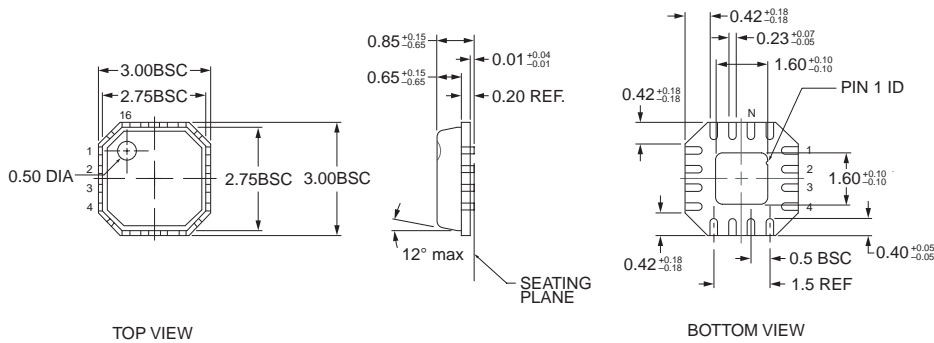
- Match signal line traces (VP/VM, D+, D-) to 40ps, approximately  $\frac{1}{3}$  inch if possible. FR-4 PCB material propagation is about 150ps/inch, so to minimize skew try to keep VP/VM, D+/D- traces as short as possible.
- For every signal line trace width (w), separate the signal lines by 1.5–2 widths. Place all other traces at >2 widths from all signal line traces.
- Maintain the same number of vias on each differential trace, keeping traces approximately at same separation distance along the line.
- Control signal line impedances to  $\pm 10\%$ .
- Keep  $R_S$  as close to the IC as possible, with equal distance between  $R_S$  and the IC for both D+ and D-.

Package Information



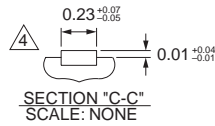
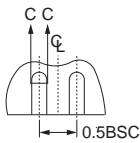
DIMENSIONS:  
MM (INCH)

14-lead TSSOP (TS)



TOP VIEW

BOTTOM VIEW

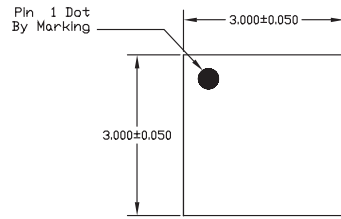


1. DIMENSIONS ARE IN mm.
2. DIE THICKNESS ALLOWABLE IS 0.305mm MAX.
3. PACKAGE WARPAGE MAX 0.05mm.
4. THIS DIMENSION APPLIES TO PLATED TERMINAL AND IS MEASURED BETWEEN 0.20mm AND 0.25mm FROM TIP.
5. APPLIES ONLY FOR TERMINALS

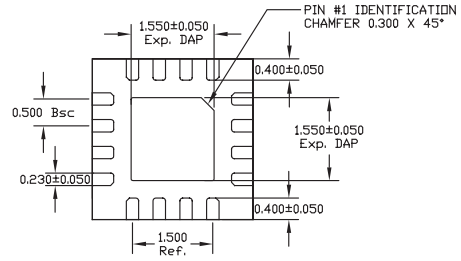
FOR EVEN TERMINAL/SIDE

Rev. 02

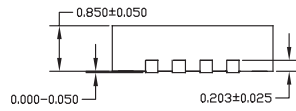
16-Pin MLF® (ML)



TOP VIEW



BOTTOM VIEW



SIDE VIEW

- NOTE:
1. ALL DIMENSIONS ARE IN MILLIMETERS.
  2. MAX. PACKAGE WARPAGE IS 0.05 mm.
  3. MAXIMUM ALLOWABLE BURRS IS 0.076 mm IN ALL DIRECTIONS.
  4. PIN #1 ID ON TOP WILL BE LASER/INK MARKED.

16-Pin MLF<sup>®</sup> (ML)

MICREL INC. 2180 FORTUNE DRIVE SAN JOSE, CA 95131 USA

TEL + 1 (408) 944-0800 FAX + 1 (408) 474-1000 WEB <http://www.micrel.com>

This information furnished by Micrel in this data sheet is believed to be accurate and reliable. However no responsibility is assumed by Micrel for its use. Micrel reserves the right to change circuitry and specifications at any time without notification to the customer.

Micrel Products are not designed or authorized for use as components in life support appliances, devices or systems where malfunction of a product can reasonably be expected to result in personal injury. Life support devices or systems are devices or systems that (a) are intended for surgical implant into the body or (b) support or sustain life, and whose failure to perform can be reasonably expected to result in a significant injury to the user. A Purchaser's use or sale of Micrel Products for use in life support appliances, devices or systems is a Purchaser's own risk and Purchaser agrees to fully indemnify Micrel for any damages resulting from such use or sale.

© 2004 Micrel, Incorporated.