



# PCA9507

2-wire serial bus extender for HDMI DDC I<sup>2</sup>C-bus and SMBus

Rev. 01 — 7 February 2008

Product data sheet

## 1. General description

The PCA9507 is a 2-wire serial bus extender providing 3.3 V to 5 V level shift that allows up to 18 meters bus extension for reliable DDC, I<sup>2</sup>C-bus or SMBus applications. While retaining all the operating modes and features of the I<sup>2</sup>C-bus system during the level shifts, it also permits extension of the I<sup>2</sup>C-bus by providing bidirectional buffering for both the data (SDA) and the clock (SCL) line as well as the rise time accelerator on port A enabling the bus to drive a load up to 1400 pF or distance of 18 m on port A, and 400 pF on port B. Using the PCA9507 enables the system designer to isolate bus capacitance to meet HDMI DDC version 1.3 distance specification. The SDA and SCL pins are overvoltage tolerant and are high-impedance when the PCA9507 is unpowered.

The port B drivers with static level offset behave much like the drivers on the PCA9515 device, while the port A drivers integrate the rise time accelerator, sink more current and eliminate the static offset voltage. This results in a LOW on port B translating into a nearly 0 V LOW on port A. The static level offset design of the port B I/O drivers prevent them from being connected to another device that has rise time accelerator including the PCA9510, PCA9511, PCA9512, PCA9513, PCA9514, PCA9515, PCA9516A, PCA9517 (B-side), or PCA9518. The port A sides of two or more PCA9507s can be connected together, however, to allow a star topography with port A on the common bus, and port A can be connected directly to any other buffer with static or dynamic offset voltage. Multiple PCA9507s can be connected in series, port A to port B, with no build-up in offset voltage with only time of flight delays to consider. Rise time accelerator on port A is turned on when input threshold is above  $0.3V_{CC(A)}$ .

The PCA9507 drivers are not enabled unless  $V_{CC(A)}$  and  $V_{CC(B)}$  are above 2.7 V. The EN pin can also be used to turn the drivers on and off under system control. Caution should be observed to only change the state of the enable pin when the bus is idle. The output pull-down on the port B internal buffer LOW is set for approximately 0.5 V, while the input threshold of the internal buffer is set about 70 mV lower (0.43 V). When the port B I/O is driven LOW internally, the LOW is not recognized as a LOW by the input. This prevents a lock-up condition from occurring.

## 2. Features

- 2 channel, bidirectional buffer isolates capacitance allowing 1400 pF on port A and 400 pF on port B
- Exceeds 18 meters (above the maximum distance for HDMI DDC)
- Rise time accelerator and normal I/O on port A
- Static level offset on port B
- Voltage level translation from 2.7 V to 5.5 V
- Upgrade replacement over PCA9517 for cable application

- I<sup>2</sup>C-bus, SMBus and DDC-bus compatible
- Active HIGH buffer enable input
- Open-drain input/outputs
- Lock-up free operation
- Supports arbitration and clock stretching across the repeater
- Accommodates Standard-mode and Fast-mode I<sup>2</sup>C-bus devices and multiple masters
- Powered-off high-impedance I<sup>2</sup>C-bus pins
- Port A operating supply voltage range of 2.7 V to 5.5 V
- Port B operating supply voltage range of 2.7 V to 5.5 V
- 5 V tolerant I<sup>2</sup>C-bus and enable pins
- 0 Hz to 400 kHz clock frequency (the maximum system operating frequency may be less than 400 kHz because of the delays added by the repeater)
- ESD protection exceeds 5000 V HBM per JESD22-A114, 400 V MM per JESD22-A115, and 1000 V CDM per JESD22-C101
- Latch-up testing is done to JEDEC Standard JESD78 which exceeds 100 mA
- Packages offered: SO8 and TSSOP8

### 3. Ordering information

Table 1. Ordering information

Type number	Topside mark	Package		
		Name	Description	Version
PCA9507D	PCA9507	SO8	plastic small outline package; 8 leads; body width 3.9 mm	SOT96-1
PCA9507DP	9507	TSSOP8 <sup>[1]</sup>	plastic thin shrink small outline package; 8 leads; body width 3 mm	SOT505-1

[1] Also known as MSOP8.

### 4. Functional diagram

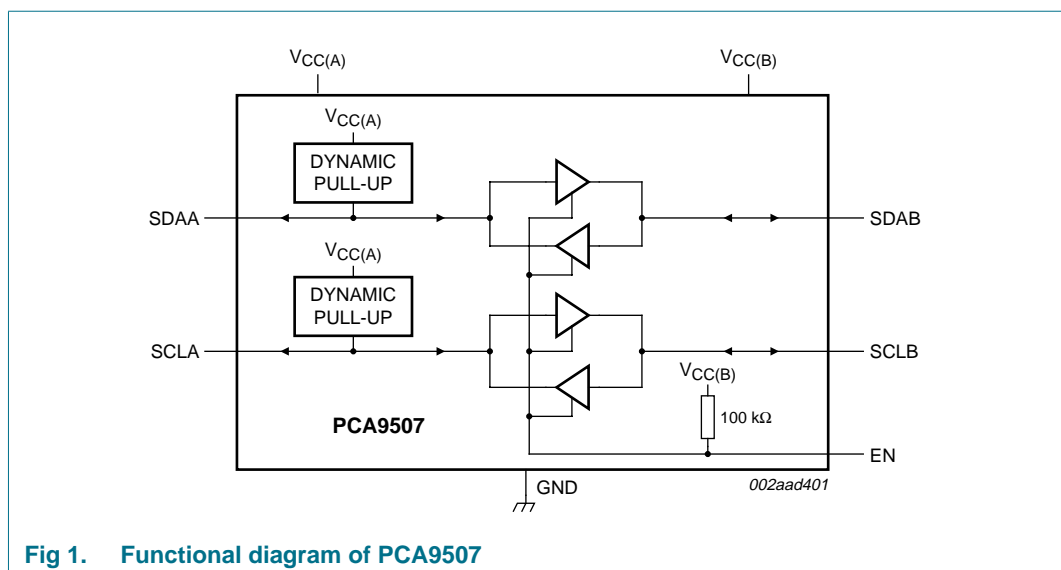


Fig 1. Functional diagram of PCA9507

## 5. Pinning information

### 5.1 Pinning

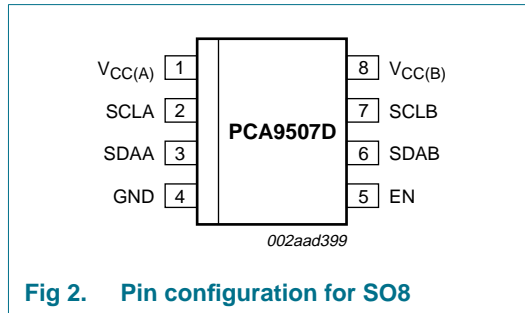


Fig 2. Pin configuration for SO8

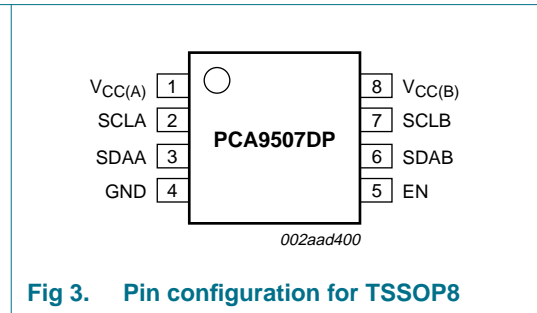


Fig 3. Pin configuration for TSSOP8

### 5.2 Pin description

Table 2. Pin description

Symbol	Pin	Description
V <sub>CC(A)</sub>	1	port A supply voltage (2.7 V to 5.5 V)
SCLA	2	serial clock port A bus with rise time accelerator for DDC line or cable, 5 V tolerant
SDAA	3	serial data port A bus with rise time accelerator for DDC line or cable, 5 V tolerant
GND	4	supply ground (0 V)
EN	5	active HIGH buffer enable input
SDAB	6	serial data port B bus with static level offset, 5 V tolerant
SCLB	7	serial clock port B bus with static level offset, 5 V tolerant
V <sub>CC(B)</sub>	8	port B supply voltage (2.7 V to 5.5 V)

## 6. Functional description

Refer to [Figure 1 “Functional diagram of PCA9507”](#).

The PCA9507 consists of a pair of bidirectional open-drain I/Os specifically designed to support up-translation/down-translation between low voltages (as low as 2.7 V) and a 3.3 V or 5 V I<sup>2</sup>C-bus and SMBus. The device contains a rise time accelerator on port A that enables the device to drive a long cable or a heavier capacitive load for DDC, I<sup>2</sup>C-bus and SMBus applications. With dual supply rails, the device translates from voltage ranges 2.7 V to 5.5 V down to a voltage as low as 2.7 V without degradation of system performance. All I/Os are overvoltage tolerant to 5.5 V even when the device is un-powered (V<sub>CC(B)</sub> and/or V<sub>CC(A)</sub> = 0 V).

The PCA9507 includes a power-up circuit that keeps the output drivers turned off until V<sub>CC(A)</sub> and V<sub>CC(B)</sub> rise above 2.7 V. V<sub>CC(A)</sub> and V<sub>CC(B)</sub> can be applied in any sequence at power-up.

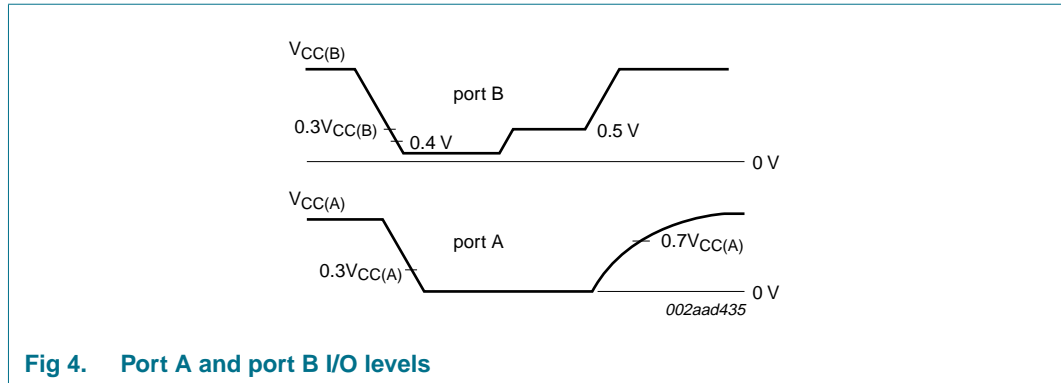


Fig 4. Port A and port B I/O levels

When port B falls first and goes below  $0.3V_{CC(B)}$  the port A driver is turned on and port A pulls down to 0 V. As port A falls below  $0.3V_{CC(A)}$  the port B pull-down pulls port B down to about 0.5 V. Port B falls below 0.4 V because it is not possible to know who is driving the port A LOW, so the PCA9507 direction control assumes that port A is controlling the part unless port B falls below 0.4 V. When the port B voltage is  $\leq 0.4V$  the port A driver of the PCA9507 is on and holds port A down nearly 0 V. As the port B voltage rises because the external driver turns off, the port B voltage rises up to  $\sim 0.5V$  because port A is LOW; once port B rises to  $\sim 0.5V$  the port A pull-down driver turns off. Then port A rises with a rise time determined by the RC of port A when it crosses the port A threshold  $\sim 0.3V_{CC(A)}$  the port B driver is turned off and the rising edge accelerator is turned on, which causes a faster rising edge until it reaches the turn-off point for the rising edge accelerator  $\sim 0.7V_{CC(A)}$ . Then it continues to rise at the slower rate determined by the RC of port A. When the port B driver turns off, port B rises with the RC of port B.

$V_{CC(A)}$  powers the port A I/Os and the  $0.3V_{CC(A)}$  reference for port A as well as the port A power good detect circuit.  $V_{CC(B)}$  powers the rest of the chip including the port B I/Os and the support functions. [Figure 4](#) illustrates the threshold and I/O levels for port A and port B.

### 6.1 Enable

The EN pin is active HIGH with an internal  $\sim 100k\Omega$  pull-up to  $V_{CC(B)}$  and allows the user to select when the buffer is active. This can be used to isolate the line when the HDMI DDC transmitter or receiver is not ready, or from a badly behaved slave on power-up until after the system power-up reset. It should never change state during an I<sup>2</sup>C-bus operation because disabling during a bus operation will hang the bus and enabling part way through a bus cycle could confuse the I<sup>2</sup>C-bus parts being enabled. The enable pin should only change state when the global bus and the buffer port are in an idle state to prevent system failures.

### 6.2 Rise time accelerators

PCA9507 has rise time accelerators on port A only. During port A positive bus transitions a current source is switched on to quickly slew the SDAA and SCLA lines HIGH once the input level of  $0.3V_{CC(A)}$  is exceeded for the PCA9507 and turns off as the  $0.7V_{CC(A)}$  voltage is approached.

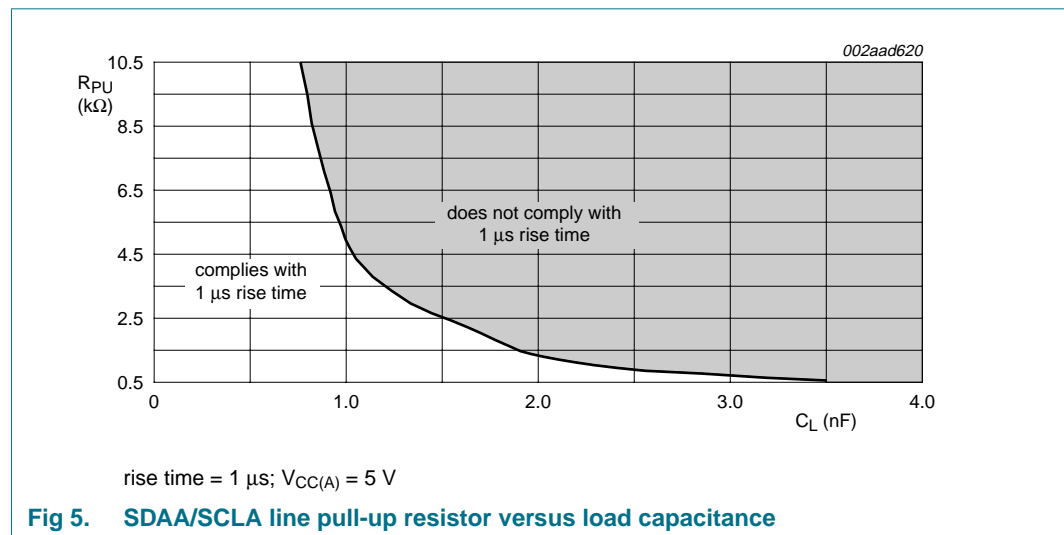
### 6.3 Resistor pull-up value selection

#### 6.3.1 Port A (SDAA and SCLA)

SDAA and SCLA are open-drain I/O that have rise time accelerators and strong pull-down. When the inputs transition above  $0.3V_{CC(A)}$ , the rise time accelerator activates and boosts the pull-up current during rising edge to meet the I<sup>2</sup>C-bus rise time specification when the device drives a long cable or heavier capacitance load. The strong pull-down enables the output to drive to nearly zero voltage for logic LOW. The selection for pull-up resistors are defined in the HDMI DDC specification shown in Table 3. For HDMI transmitter applications like digital video player, recorder, or set-top box, the pull-up resistor is in the range of 1.5 kΩ to 2 kΩ. For HDMI receiver applications like in LCD TV or video card, the pull-up resistor is 47 kΩ on the SCLA line, and there is no pull-up on the SDAA line. Please refer to Table 3, Figure 7 and Figure 8 for more details. Figure 5 shows the port A pull-up resistor values (in kΩ) versus capacitance load (in nF) for 5 V supply voltage complied with 1 μs rise time per I<sup>2</sup>C-bus Standard-mode specification. The graph contrasts a shaded and unshaded region. Any resistor value chosen within the unshaded region would comply with 1 μs rise time, while any value chosen in the shaded region would not.

**Table 3. HDMI DDC pull-up resistors specification**

Pin	Where	Minimum	Maximum
SDAA	at the source (DVD/STB)	1.5 kΩ	2.0 kΩ
	at the sink (LCD TV)	-	-
SCLA	at the source (DVD/STB)	1.5 kΩ	2.0 kΩ
	at the sink (LCD TV)	47 kΩ ± 10 %	



**Fig 5. SDAA/SCLA line pull-up resistor versus load capacitance**

### 6.3.2 Port B (SDAB and SCLB)

SDAB and SCLB are standard I<sup>2</sup>C-bus with static level offset that has no rise time accelerator. The static level offset produces an output LOW of 0.5 V (typical) at 6 mA. As with the standard I<sup>2</sup>C-bus system, pull-up resistors are required to provide the logic HIGH levels. The size of these pull-up resistors depends on the system requirement, and should meet the current sinking capability of the device that drives the buffer, as well as that of the buffer. The minimum and maximum pull-up resistors are determined and the pull-up resistor's value is chosen to be within the minimum and maximum range.

Using [Equation 1](#), calculate the minimum pull-up resistor value:

$$R_{PU(min)} = \frac{V_{CC(B)(max)} - 0.4 \text{ V}}{I_{OL(max)}} \quad (1)$$

Where:

$R_{PU(min)}$  is the minimum pull-up resistor value for the open-drain SCLB and SDAB.

$V_{CC(B)(max)}$  is the maximum supply rail of the pull-up resistor.

0.4 V is the maximum  $V_{OL}$  of the device that drives the buffer on logic LOW.

$I_{OL(max)}$  at  $V_{OL} = 0.4 \text{ V}$  is the maximum sink current of the device that drives the buffer on logic LOW.

The maximum pull-up resistor should also be sized such that the RC time constant meets the standard I<sup>2</sup>C-bus rise time, which is 1  $\mu\text{s}$  for Standard-mode (100 kHz) or 300 ns for Fast-mode (400 kHz). DDC bus complies with the I<sup>2</sup>C-bus Standard-mode and operates below 100 kHz, and maximum rise time is 1  $\mu\text{s}$  using a simplified RC equation.

Using [Equation 2](#), calculate the maximum pull-up resistor value:

$$R_{PU(max)} \times C_{L(max)} = 1.2 \times t_r \quad (2)$$

Where:

$R_{PU(max)}$  is the maximum allowable pull-up resistor on the SCLB and SDAB in order to meet the I<sup>2</sup>C-bus rise time specification.

$C_{L(max)}$  is the maximum allowable capacitance load (include the capacitance of driver, the line, and the buffer) in order to meet the rise time specification.

$t_r$  is the rise time specified as 1  $\mu\text{s}$  (for bus speed 100 kHz or lower) and 300 ns (for bus speed 400 kHz or lower).

The chosen pull-up resistor  $R_{PU}$  is:  $R_{PU(min)} \leq R_{PU} \leq R_{PU(max)}$ .

## 7. Application design-in information

A typical application is shown in [Figure 6](#). In this example, the system master is running on a 3.3 V I<sup>2</sup>C-bus while the slave is connected to a 5 V bus. Both buses run at 400 kHz. Master devices can be placed on either bus. HDMI DDC applications for DVD/R and LCD TV are shown in [Figure 7](#) and [Figure 8](#), respectively. In these applications the HDMI transmitter or receiver is 3.3 V, while the DDC line is 5 V, PCA9507 behaves like a voltage level shift, a buffer and long cable bus extender to ensure signal integrity for accessing the EDID on the DDC line.

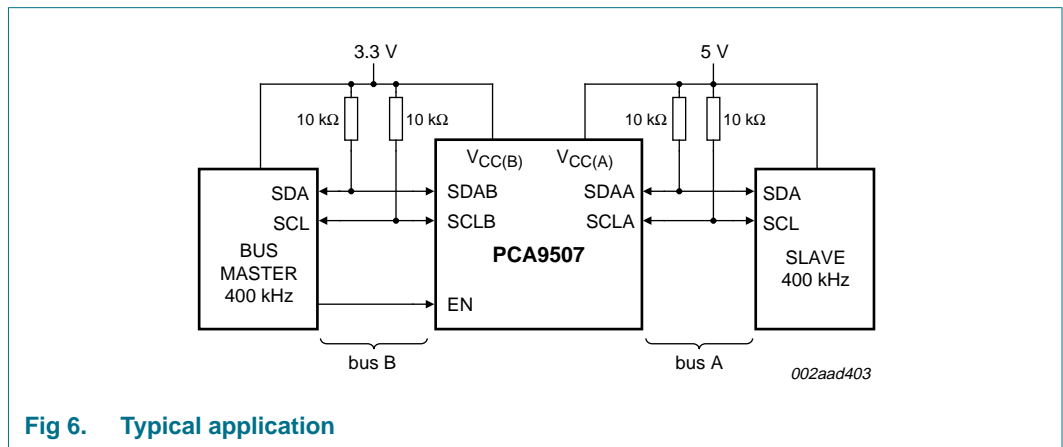


Fig 6. Typical application

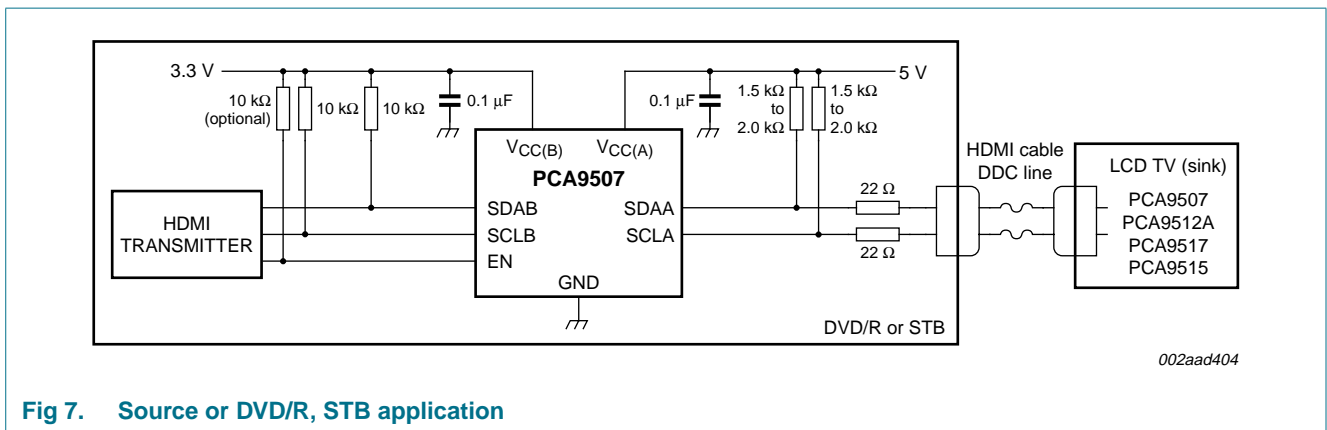


Fig 7. Source or DVD/R, STB application

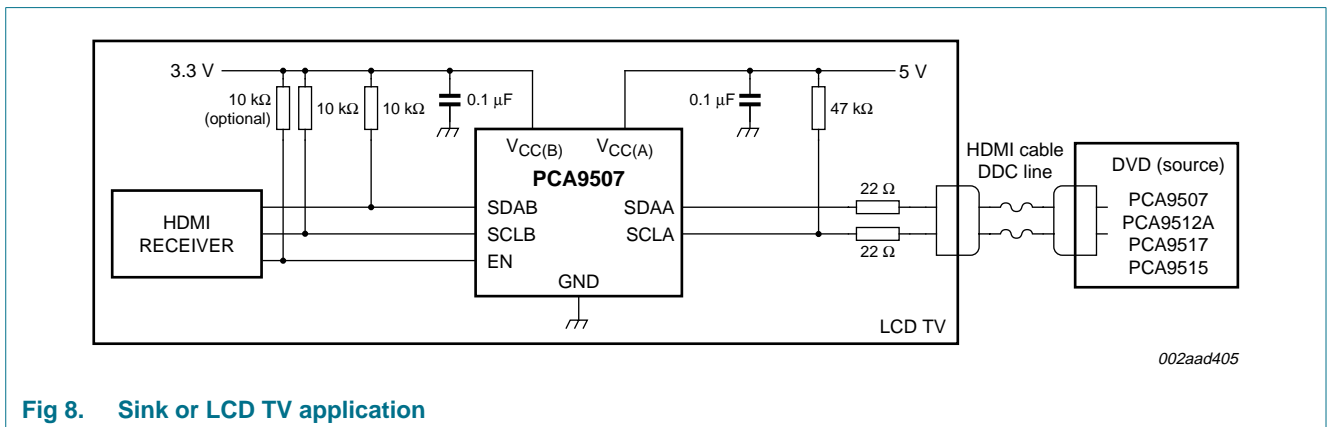


Fig 8. Sink or LCD TV application

According to [Figure 6](#), when port A of the PCA9507 is pulled LOW by a driver on the I<sup>2</sup>C-bus, a comparator detects the falling edge when it goes below  $0.3V_{CC(A)}$  and causes the internal driver on port B to turn on, causing port B to pull down to about 0.5 V. When port B of the PCA9507 falls, first a CMOS hysteresis type input detects the falling edge and causes the internal driver on port A to turn on and pull the port A pin down to ground. In order to illustrate what would be seen in a typical application, refer to [Figure 11](#) and [Figure 12](#).

If the bus master in [Figure 6](#) were to write to the slave through the PCA9507, waveforms shown in [Figure 11](#) would be observed on the A bus. This looks like a normal I<sup>2</sup>C-bus transmission except that the HIGH level may be as low as 2.7 V, and the turn on and turn off of the acknowledge signals are slightly delayed.

The master drives the B bus to ground or lets it float to  $V_{CC(B)}$  as it sends data to the slave at the falling edge of the 8<sup>th</sup> clock, master releases SDAB on the B bus and slave pulls SDAA on the A bus to ground, causing the PCA9507 to pull SDAB on the B bus to 0.5 V. At the falling edge of the 9<sup>th</sup> clock, the master again drives the B bus and slave releases the A bus.

Multiple PCA9507 port A sides can be connected in a star configuration ([Figure 9](#)), allowing all nodes to communicate with each other.

Multiple PCA9507s can be connected in series ([Figure 10](#)) as long as port A is connected to port B. I<sup>2</sup>C-bus slave devices can be connected to any of the bus segments. The number of devices that can be connected in series is limited by repeater delay/time-of-flight considerations on the maximum bus speed requirements.



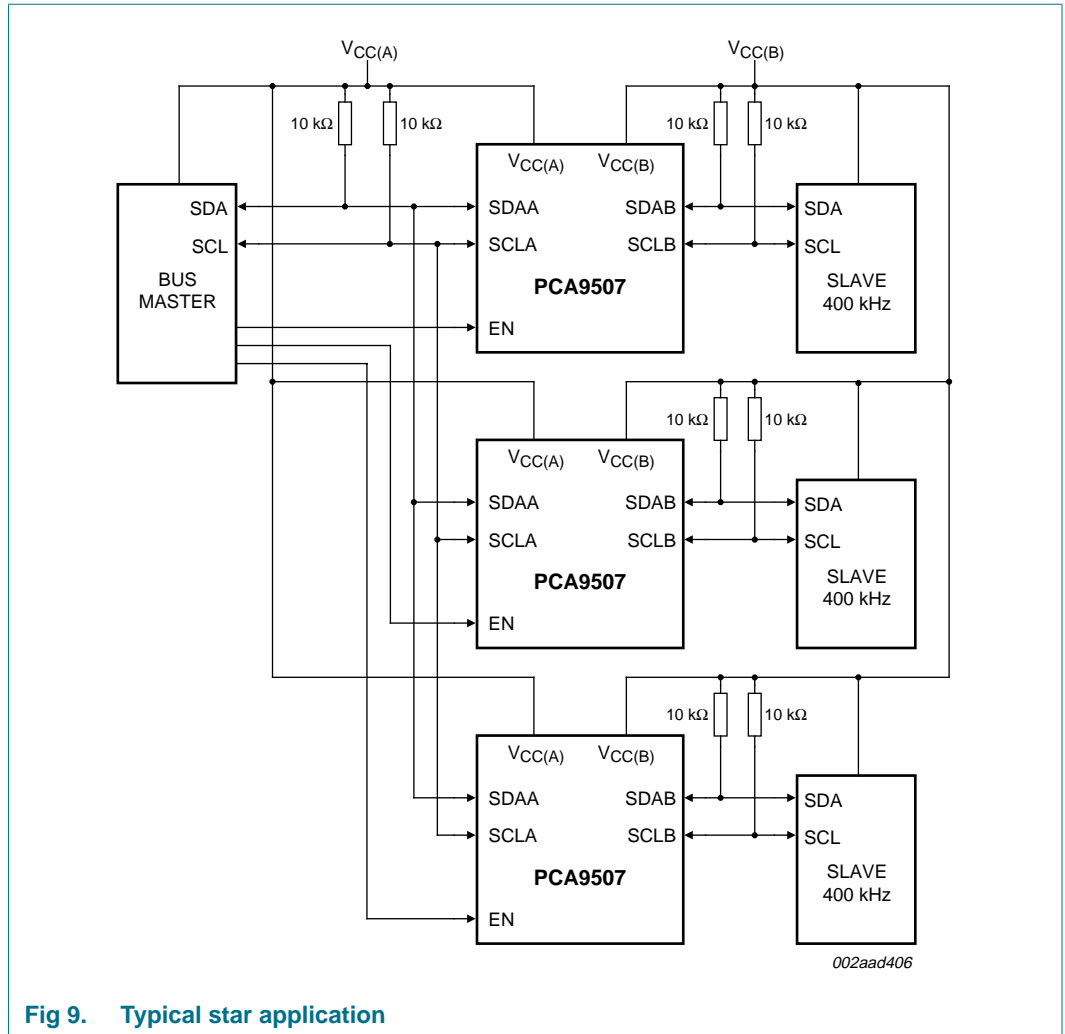


Fig 9. Typical star application

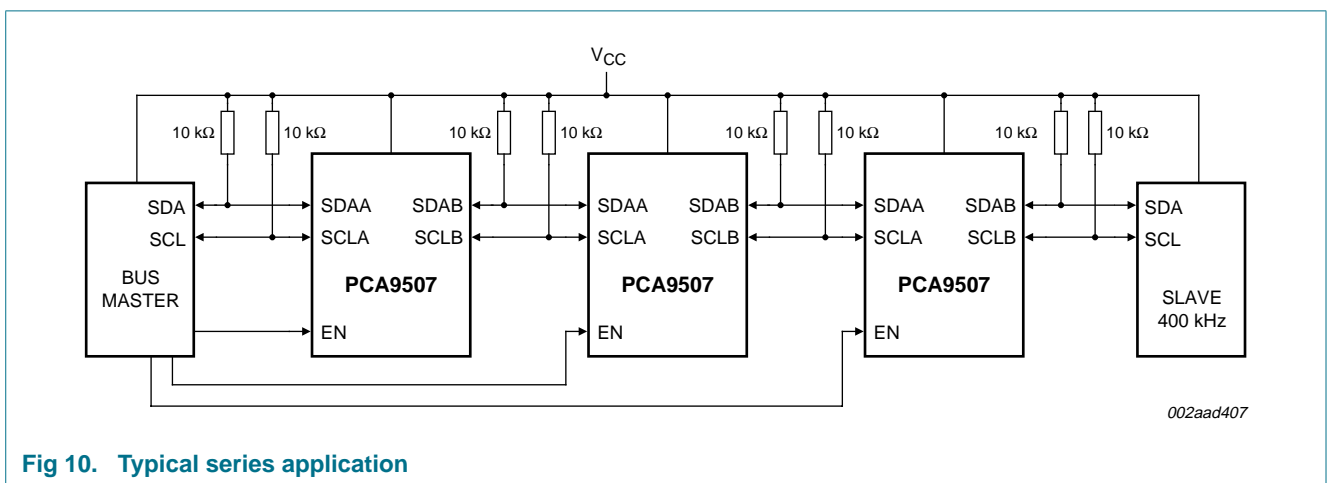


Fig 10. Typical series application

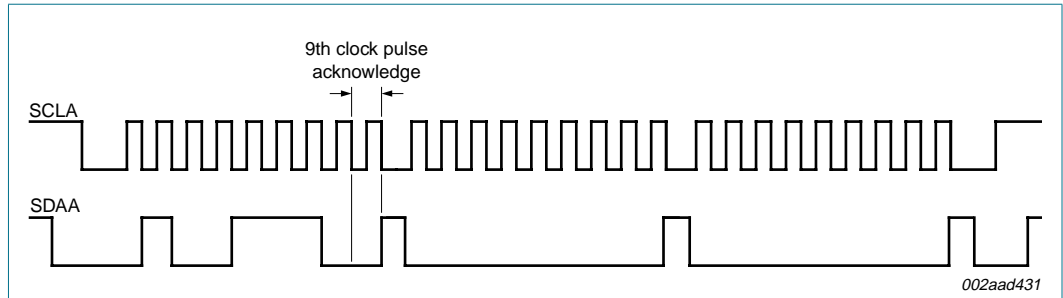


Fig 11. Bus A (2.7 V to 5.5 V bus) waveform

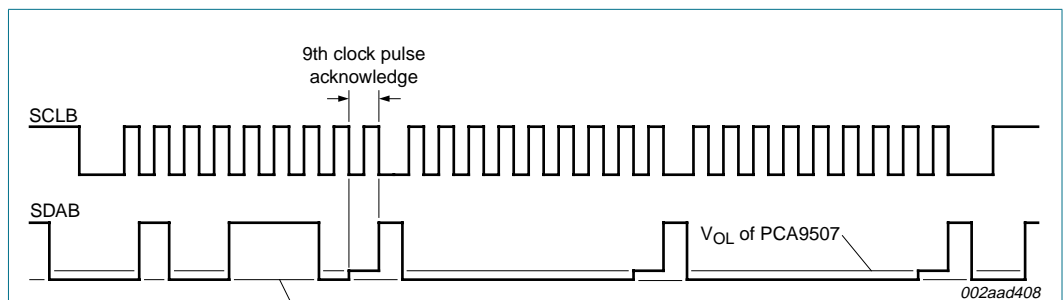


Fig 12. Bus B (2.7 V to 5.5 V bus) waveform

## 8. Limiting values

**Table 4. Limiting values**

*In accordance with the Absolute Maximum Rating System (IEC 60134).*

Symbol	Parameter	Conditions	Min	Max	Unit
$V_{CC(B)}$	supply voltage port B	2.7 V to 5.5 V	-0.5	+7	V
$V_{CC(A)}$	supply voltage port A	adjustable	-0.5	+7	V
$V_{I/O}$	voltage on an input/output pin	port B; enable pin (EN)	-0.5	+7	V
$I_{I/O}$	input/output current	port A; port B	-	50	mA
$I_I$	input current	EN, $V_{CC(A)}$ , $V_{CC(B)}$ , GND	-	50	mA
$P_{tot}$	total power dissipation		-	100	mW
$T_{stg}$	storage temperature		-55	+125	°C
$T_{amb}$	ambient temperature	operating in free air	-40	+85	°C
$T_j$	junction temperature		-	+125	°C

## 9. Static characteristics

**Table 5. Static characteristics**

$V_{CC} = 2.7\text{ V to }5.5\text{ V}$ ;  $GND = 0\text{ V}$ ;  $T_{amb} = -40\text{ }^{\circ}\text{C to }+85\text{ }^{\circ}\text{C}$ ; unless otherwise specified.

Symbol	Parameter	Conditions	Min	Typ	Max	Unit
<b>Supplies</b>						
$V_{CC(B)}$	supply voltage port B		2.7	-	5.5	V
$V_{CC(A)}$	supply voltage port A		[1] 2.7	-	5.5	V
$I_{CC(VCC(A))}$	supply current on pin $V_{CC(A)}$		-	-	1	mA
$I_{CCH(B)}$	port B HIGH-level supply current	both channels HIGH; $V_{CC} = 5.5\text{ V}$ ; SDAn = SCLn = $V_{CC}$	-	1.5	5	mA
$I_{CCL(B)}$	port B LOW-level supply current	both channels LOW; $V_{CC} = 5.5\text{ V}$ ; one SDA and one SCL = GND; other SDA and SCL open	-	1.5	5	mA
$I_{CCL(A)}$	port A LOW-level supply current	both channels LOW; $V_{CC} = 5.5\text{ V}$ ; one SDA and one SCL = GND; other SDA and SCL open	-	1.5	5	mA
$I_{CC(B)c}$	contention port B supply current	$V_{CC(B)} = 5.5\text{ V}$ ; SDAB = SCLB = 0.2 V	-	1.5	5	mA
<b>Input and output SDAB and SCLB</b>						
$V_{IH}$	HIGH-level input voltage		$0.7V_{CC(B)}$	-	5.5	V
$V_{IL}$	LOW-level input voltage		[2] -0.5	-	$+0.3V_{CC(B)}$	V
$V_{ILc}$	contention LOW-level input voltage		-0.5	0.4	-	V
$V_{IK}$	input clamping voltage	$I_I = -18\text{ mA}$	-	-	-1.2	V
$I_{LI}$	input leakage current	$V_I = 5.5\text{ V}$	-	-	$\pm 1$	$\mu\text{A}$
$I_{IL}$	LOW-level input current	SDA, SCL; $V_I = 0.2\text{ V}$	-	-	10	$\mu\text{A}$
$V_{OL}$	LOW-level output voltage	$I_{OL} = 100\text{ }\mu\text{A}$ or 6 mA	0.47	0.52	0.6	V
$V_{OL}-V_{ILc}$	difference between LOW-level output and LOW-level input voltage contention	guaranteed by design	-	-	70	mV
$C_{io}$	input/output capacitance	$V_I = 3\text{ V}$ or 0 V; $V_{CC} = 3.3\text{ V}$	-	6	7	pF
		$V_I = 3\text{ V}$ or 0 V; $V_{CC} = 0\text{ V}$	-	6	7	pF
<b>Input and output SDAA and SCLA</b>						
$V_{IH}$	HIGH-level input voltage		$0.7V_{CC(A)}$	-	5.5	V
$V_{IL}$	LOW-level input voltage		[3] -0.5	-	+1.5	V
$V_{IK}$	input clamping voltage	$I_I = -18\text{ mA}$	-	-	-1.2	V
$I_{LI}$	input leakage current	$V_{CC} = V_I = 5.5\text{ V}$	-	-	$\pm 1$	$\mu\text{A}$
$I_{IL}$	LOW-level input current	SDA, SCL; $V_I = 0.2\text{ V}$	-	-	10	$\mu\text{A}$
$V_{OL}$	LOW-level output voltage	$I_{OL} = 6\text{ mA}$	-	0.1	0.2	V
$C_{io}$	input/output capacitance	$V_I = 3\text{ V}$ or 0 V; $V_{CC} = 3.3\text{ V}$	-	-	7	pF
		$V_I = 3\text{ V}$ or 0 V; $V_{CC} = 0\text{ V}$	-	6	7	pF
$I_{trt(\mu)}$	transient boosted pull-up current	$V_{CC(A)} = 4.5\text{ V}$ ; slew rate = 1.25 V/ $\mu\text{s}$	-	6	-	mA

**Table 5. Static characteristics ...continued**

$V_{CC} = 2.7\text{ V to }5.5\text{ V}$ ;  $GND = 0\text{ V}$ ;  $T_{amb} = -40\text{ }^{\circ}\text{C to }+85\text{ }^{\circ}\text{C}$ ; unless otherwise specified.

Symbol	Parameter	Conditions	Min	Typ	Max	Unit
<b>Enable</b>						
$V_{IL}$	LOW-level input voltage		-0.5	-	+0.3 $V_{CC(B)}$	V
$V_{IH}$	HIGH-level input voltage		0.7 $V_{CC(B)}$	-	5.5	V
$I_{IL(EN)}$	LOW-level input current on pin EN	$V_I = 0.2\text{ V}$ , EN; $V_{CC} = 3.6\text{ V}$	-	-10	-30	$\mu\text{A}$
$I_{LI}$	input leakage current	$V_I = V_{CC}$	-1	-	+1	$\mu\text{A}$
$C_i$	input capacitance	$V_I = 3.0\text{ V or }0\text{ V}$	-	6	7	pF

[1] LOW-level supply voltage.

[2]  $V_{IL}$  specification is for the first LOW level seen by the SDAB/SCLB lines.  $V_{ILc}$  is for the second and subsequent LOW levels seen by the SDAB/SCLB lines.

[3]  $V_{IL}$  for port A with envelope noise must be below 0.3 $V_{CC(A)}$  for stable performance.

## 10. Dynamic characteristics

**Table 6. Dynamic characteristics**

$V_{CC} = 2.7\text{ V to }5.5\text{ V}$ ;  $GND = 0\text{ V}$ ;  $T_{amb} = -40\text{ }^{\circ}\text{C to }+85\text{ }^{\circ}\text{C}$ ; unless otherwise specified.<sup>[1][2]</sup>

Symbol	Parameter	Conditions	Min	Typ <sup>[3]</sup>	Max	Unit
$t_{PLH}$	LOW-to-HIGH propagation delay	port B to port A; <a href="#">Figure 15</a>	<sup>[4]</sup> 90	165	350	ns
$t_{PHL}$	HIGH-to-LOW propagation delay	port B to port A; <a href="#">Figure 13</a>	55	91	180	ns
$t_{TLH}$	LOW to HIGH output transition time	port A; <a href="#">Figure 13</a>	22	48	80	ns
$t_{THL}$	HIGH to LOW output transition time	port A; <a href="#">Figure 13</a>	20	42	100	ns
$t_{PLH}$	LOW-to-HIGH propagation delay	port A to port B; <a href="#">Figure 14</a>	<sup>[5]</sup> 140	218	310	ns
$t_{PHL}$	HIGH-to-LOW propagation delay	port A to port B; <a href="#">Figure 14</a>	<sup>[5]</sup> 130	91	330	ns
$t_{TLH}$	LOW to HIGH output transition time	port B; <a href="#">Figure 14</a>	100	173	260	ns
$t_{THL}$	HIGH to LOW output transition time	port B; <a href="#">Figure 14</a>	20	39	100	ns
$t_{su}$	set-up time	EN HIGH before START condition	<sup>[6]</sup> 100	-	-	ns
$t_h$	hold time	EN HIGH after STOP condition	<sup>[6]</sup> 100	-	-	ns

[1] Times are specified with loads of 1.35 k $\Omega$  pull-up resistance and 57 pF load capacitance on port B, and 450  $\Omega$  pull-up resistance and 57 pF load capacitance on port A. Different load resistance and capacitance will alter the RC time constant, thereby changing the propagation delay and transition times.

[2] Pull-up voltages are  $V_{CC(A)}$  on port A and  $V_{CC(B)}$  on port B.

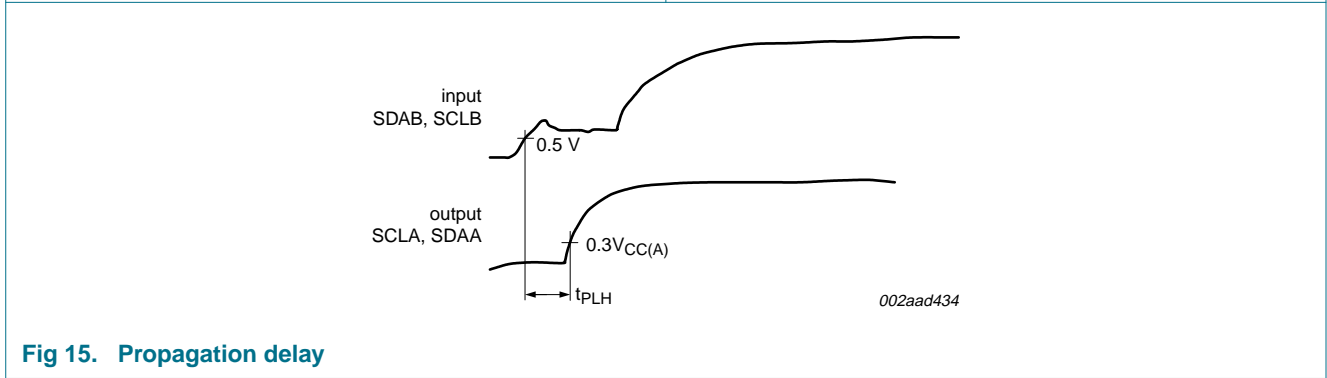
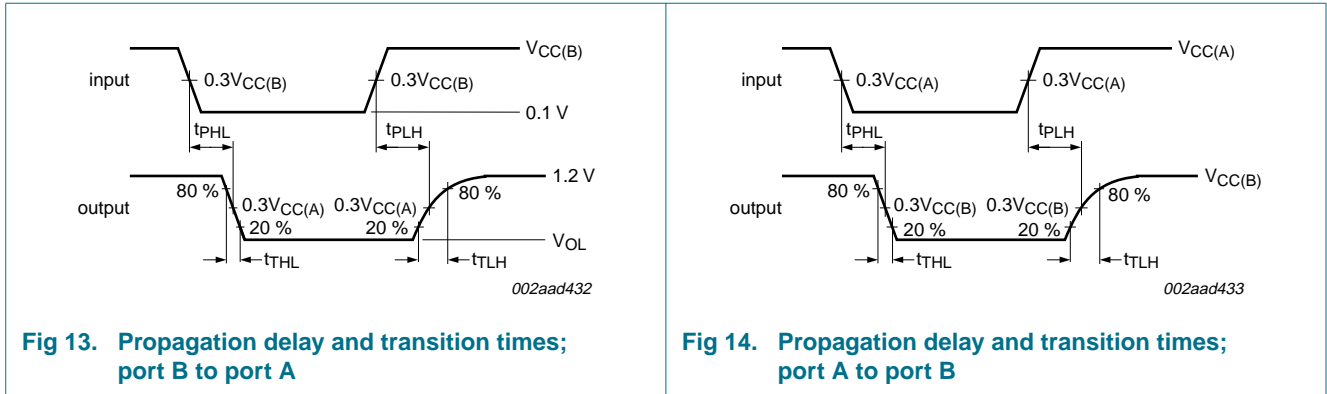
[3] Typical values were measured with  $V_{CC(A)} = 3.3\text{ V}$  at  $T_{amb} = 25\text{ }^{\circ}\text{C}$ , unless otherwise noted.

[4] The  $t_{PLH}$  delay data from port B to port A is measured at 0.5 V on port B to 0.3 $V_{CC(A)}$  on port A.

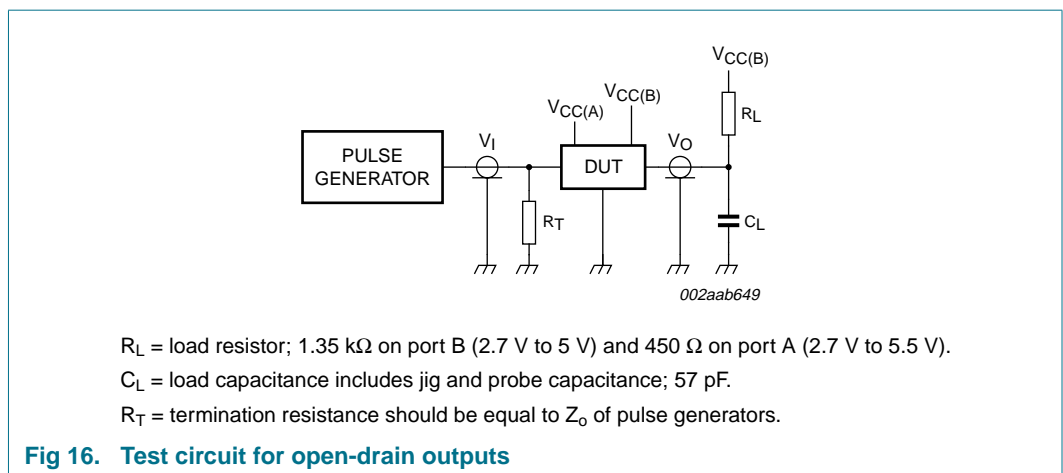
[5] The proportional delay data from port A to port B is measured at 0.3 $V_{CC(A)}$  on port A to 0.3 $V_{CC(B)}$  on port B.

[6] The enable pin, EN, should only change state when the global bus and the repeater port are in an idle state.

10.1 AC waveforms



11. Test information



12. Package outline

SO8: plastic small outline package; 8 leads; body width 3.9 mm

SOT96-1

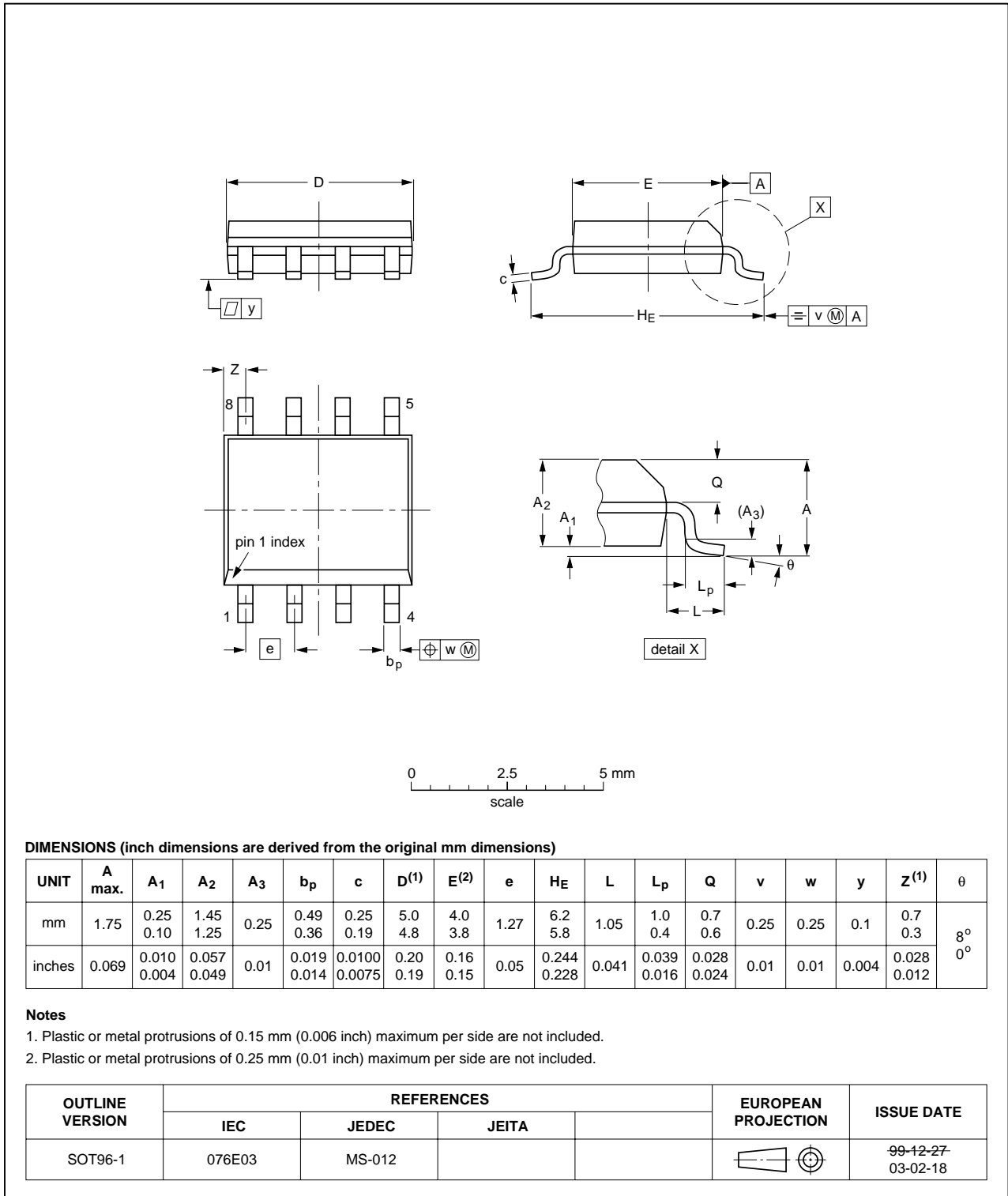


Fig 17. Package outline SOT96-1 (SO8)

TSSOP8: plastic thin shrink small outline package; 8 leads; body width 3 mm

SOT505-1

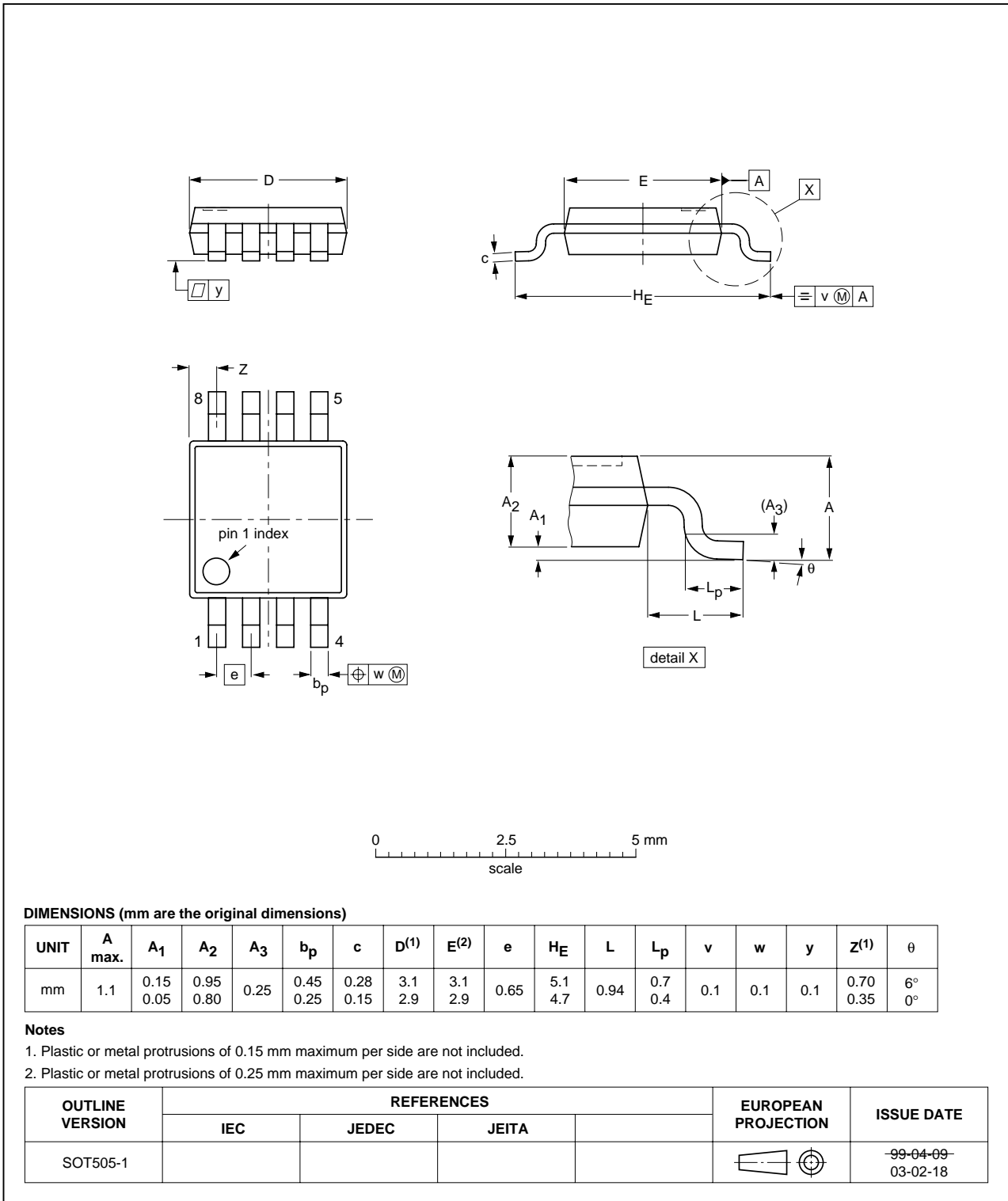


Fig 18. Package outline SOT505-1 (TSSOP8)

## 13. Soldering of SMD packages

This text provides a very brief insight into a complex technology. A more in-depth account of soldering ICs can be found in Application Note *AN10365 "Surface mount reflow soldering description"*.

### 13.1 Introduction to soldering

Soldering is one of the most common methods through which packages are attached to Printed Circuit Boards (PCBs), to form electrical circuits. The soldered joint provides both the mechanical and the electrical connection. There is no single soldering method that is ideal for all IC packages. Wave soldering is often preferred when through-hole and Surface Mount Devices (SMDs) are mixed on one printed wiring board; however, it is not suitable for fine pitch SMDs. Reflow soldering is ideal for the small pitches and high densities that come with increased miniaturization.

### 13.2 Wave and reflow soldering

Wave soldering is a joining technology in which the joints are made by solder coming from a standing wave of liquid solder. The wave soldering process is suitable for the following:

- Through-hole components
- Leaded or leadless SMDs, which are glued to the surface of the printed circuit board

Not all SMDs can be wave soldered. Packages with solder balls, and some leadless packages which have solder lands underneath the body, cannot be wave soldered. Also, leaded SMDs with leads having a pitch smaller than ~0.6 mm cannot be wave soldered, due to an increased probability of bridging.

The reflow soldering process involves applying solder paste to a board, followed by component placement and exposure to a temperature profile. Leaded packages, packages with solder balls, and leadless packages are all reflow solderable.

Key characteristics in both wave and reflow soldering are:

- Board specifications, including the board finish, solder masks and vias
- Package footprints, including solder thieves and orientation
- The moisture sensitivity level of the packages
- Package placement
- Inspection and repair
- Lead-free soldering versus SnPb soldering

### 13.3 Wave soldering

Key characteristics in wave soldering are:

- Process issues, such as application of adhesive and flux, clinching of leads, board transport, the solder wave parameters, and the time during which components are exposed to the wave
- Solder bath specifications, including temperature and impurities



### 13.4 Reflow soldering

Key characteristics in reflow soldering are:

- Lead-free versus SnPb soldering; note that a lead-free reflow process usually leads to higher minimum peak temperatures (see [Figure 19](#)) than a SnPb process, thus reducing the process window
- Solder paste printing issues including smearing, release, and adjusting the process window for a mix of large and small components on one board
- Reflow temperature profile; this profile includes preheat, reflow (in which the board is heated to the peak temperature) and cooling down. It is imperative that the peak temperature is high enough for the solder to make reliable solder joints (a solder paste characteristic). In addition, the peak temperature must be low enough that the packages and/or boards are not damaged. The peak temperature of the package depends on package thickness and volume and is classified in accordance with [Table 7](#) and [8](#)

**Table 7. SnPb eutectic process (from J-STD-020C)**

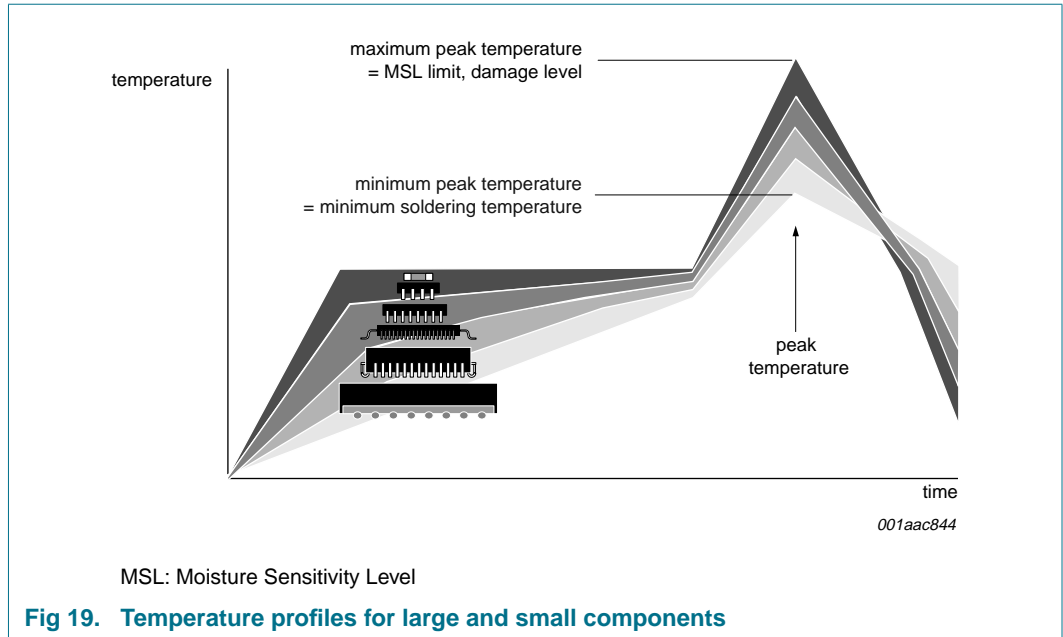
Package thickness (mm)	Package reflow temperature (°C)	
	Volume (mm <sup>3</sup> )	
	< 350	≥ 350
< 2.5	235	220
≥ 2.5	220	220

**Table 8. Lead-free process (from J-STD-020C)**

Package thickness (mm)	Package reflow temperature (°C)		
	Volume (mm <sup>3</sup> )		
	< 350	350 to 2000	> 2000
< 1.6	260	260	260
1.6 to 2.5	260	250	245
> 2.5	250	245	245

Moisture sensitivity precautions, as indicated on the packing, must be respected at all times.

Studies have shown that small packages reach higher temperatures during reflow soldering, see [Figure 19](#).



For further information on temperature profiles, refer to Application Note AN10365 “Surface mount reflow soldering description”.

## 14. Abbreviations

**Table 9. Abbreviations**

Acronym	Description
CDM	Charged Device Model
CMOS	Complementary Metal Oxide Silicon
DDC	Display Data Channel
DVD	Digital Video Disc
EDID	Extended Display Identification Data
ESD	ElectroStatic Discharge
HBM	Human Body Model
HDMI	High-Definition Multimedia Interface
I <sup>2</sup> C-bus	Inter Integrated Circuit bus
LCD	Liquid Crystal Display
MM	Machine Model
SMBus	System Management Bus
STB	Set-Top Box

## 15. Revision history

**Table 10. Revision history**

Document ID	Release date	Data sheet status	Change notice	Supersedes
PCA9507_1	20080207	Product data sheet	-	-

## 16. Legal information

### 16.1 Data sheet status

Document status <sup>[1][2]</sup>	Product status <sup>[3]</sup>	Definition
Objective [short] data sheet	Development	This document contains data from the objective specification for product development.
Preliminary [short] data sheet	Qualification	This document contains data from the preliminary specification.
Product [short] data sheet	Production	This document contains the product specification.

[1] Please consult the most recently issued document before initiating or completing a design.

[2] The term 'short data sheet' is explained in section "Definitions".

[3] The product status of device(s) described in this document may have changed since this document was published and may differ in case of multiple devices. The latest product status information is available on the Internet at URL <http://www.nxp.com>.

### 16.2 Definitions

**Draft** — The document is a draft version only. The content is still under internal review and subject to formal approval, which may result in modifications or additions. NXP Semiconductors does not give any representations or warranties as to the accuracy or completeness of information included herein and shall have no liability for the consequences of use of such information.

**Short data sheet** — A short data sheet is an extract from a full data sheet with the same product type number(s) and title. A short data sheet is intended for quick reference only and should not be relied upon to contain detailed and full information. For detailed and full information see the relevant full data sheet, which is available on request via the local NXP Semiconductors sales office. In case of any inconsistency or conflict with the short data sheet, the full data sheet shall prevail.

### 16.3 Disclaimers

**General** — Information in this document is believed to be accurate and reliable. However, NXP Semiconductors does not give any representations or warranties, expressed or implied, as to the accuracy or completeness of such information and shall have no liability for the consequences of use of such information.

**Right to make changes** — NXP Semiconductors reserves the right to make changes to information published in this document, including without limitation specifications and product descriptions, at any time and without notice. This document supersedes and replaces all information supplied prior to the publication hereof.

**Suitability for use** — NXP Semiconductors products are not designed, authorized or warranted to be suitable for use in medical, military, aircraft, space or life support equipment, nor in applications where failure or malfunction of an NXP Semiconductors product can reasonably be expected

to result in personal injury, death or severe property or environmental damage. NXP Semiconductors accepts no liability for inclusion and/or use of NXP Semiconductors products in such equipment or applications and therefore such inclusion and/or use is at the customer's own risk.

**Applications** — Applications that are described herein for any of these products are for illustrative purposes only. NXP Semiconductors makes no representation or warranty that such applications will be suitable for the specified use without further testing or modification.

**Limiting values** — Stress above one or more limiting values (as defined in the Absolute Maximum Ratings System of IEC 60134) may cause permanent damage to the device. Limiting values are stress ratings only and operation of the device at these or any other conditions above those given in the Characteristics sections of this document is not implied. Exposure to limiting values for extended periods may affect device reliability.

**Terms and conditions of sale** — NXP Semiconductors products are sold subject to the general terms and conditions of commercial sale, as published at <http://www.nxp.com/profile/terms>, including those pertaining to warranty, intellectual property rights infringement and limitation of liability, unless explicitly otherwise agreed to in writing by NXP Semiconductors. In case of any inconsistency or conflict between information in this document and such terms and conditions, the latter will prevail.

**No offer to sell or license** — Nothing in this document may be interpreted or construed as an offer to sell products that is open for acceptance or the grant, conveyance or implication of any license under any copyrights, patents or other industrial or intellectual property rights.

### 16.4 Trademarks

Notice: All referenced brands, product names, service names and trademarks are the property of their respective owners.

**I<sup>2</sup>C-bus** — logo is a trademark of NXP B.V.

## 17. Contact information

For more information, please visit: <http://www.nxp.com>

For sales office addresses, please send an email to: [salesaddresses@nxp.com](mailto:salesaddresses@nxp.com)

## 18. Contents

<b>1</b>	<b>General description</b> .....	<b>1</b>
<b>2</b>	<b>Features</b> .....	<b>1</b>
<b>3</b>	<b>Ordering information</b> .....	<b>2</b>
<b>4</b>	<b>Functional diagram</b> .....	<b>2</b>
<b>5</b>	<b>Pinning information</b> .....	<b>3</b>
5.1	Pinning .....	3
5.2	Pin description .....	3
<b>6</b>	<b>Functional description</b> .....	<b>3</b>
6.1	Enable .....	4
6.2	Rise time accelerators .....	4
6.3	Resistor pull-up value selection .....	5
6.3.1	Port A (SDAA and SCLA) .....	5
6.3.2	Port B (SDAB and SCLB) .....	6
<b>7</b>	<b>Application design-in information</b> .....	<b>7</b>
<b>8</b>	<b>Limiting values</b> .....	<b>10</b>
<b>9</b>	<b>Static characteristics</b> .....	<b>11</b>
<b>10</b>	<b>Dynamic characteristics</b> .....	<b>12</b>
10.1	AC waveforms .....	13
<b>11</b>	<b>Test information</b> .....	<b>13</b>
<b>12</b>	<b>Package outline</b> .....	<b>14</b>
<b>13</b>	<b>Soldering of SMD packages</b> .....	<b>16</b>
13.1	Introduction to soldering .....	16
13.2	Wave and reflow soldering .....	16
13.3	Wave soldering .....	16
13.4	Reflow soldering .....	17
<b>14</b>	<b>Abbreviations</b> .....	<b>18</b>
<b>15</b>	<b>Revision history</b> .....	<b>18</b>
<b>16</b>	<b>Legal information</b> .....	<b>19</b>
16.1	Data sheet status .....	19
16.2	Definitions .....	19
16.3	Disclaimers .....	19
16.4	Trademarks .....	19
<b>17</b>	<b>Contact information</b> .....	<b>19</b>
<b>18</b>	<b>Contents</b> .....	<b>20</b>

Please be aware that important notices concerning this document and the product(s) described herein, have been included in section 'Legal information'.



© NXP B.V. 2008.

All rights reserved.

For more information, please visit: <http://www.nxp.com>

For sales office addresses, please send an email to: [salesaddresses@nxp.com](mailto:salesaddresses@nxp.com)

Date of release: 7 February 2008

Document identifier: PCA9507\_1