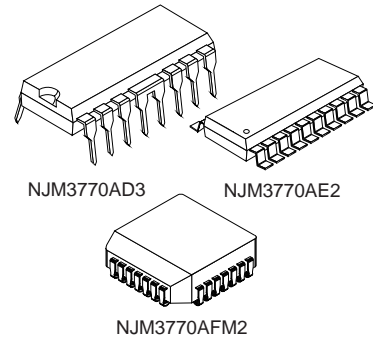


STEPPER MOTOR DRIVER

■ GENERAL DESCRIPTION

NJM3770A is a stepper motor driver, which consists of a LS-TTL compatible logic input stage, a current sensor, a monostable multivibrator and a high power H-bridge output stage. The NJM3770A is a high power version and pin-compatible with the NJM3717. Two NJM3770A and a small number of external components form a complete control and drive unit stepper motor systems.

■ PACKAGE OUTLINE



■ FEATURES

- Half-step and full-step operation
- Switched mode bipolar constant current drive
- Wide range of current control 5 -1800 mA
- Wide voltage range 10 - 45 V
- Thermal overload protection
- Packages DIP16 (Batwing) / PLCC28 / EMP20

■ BLOCK DIAGRAM

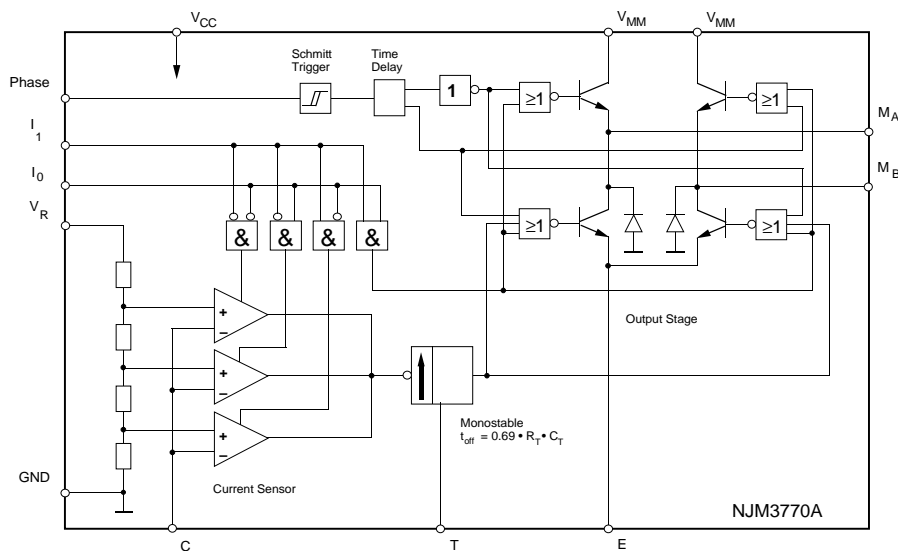


Figure 1. Block diagram

■ PIN CONFIGURATIONS

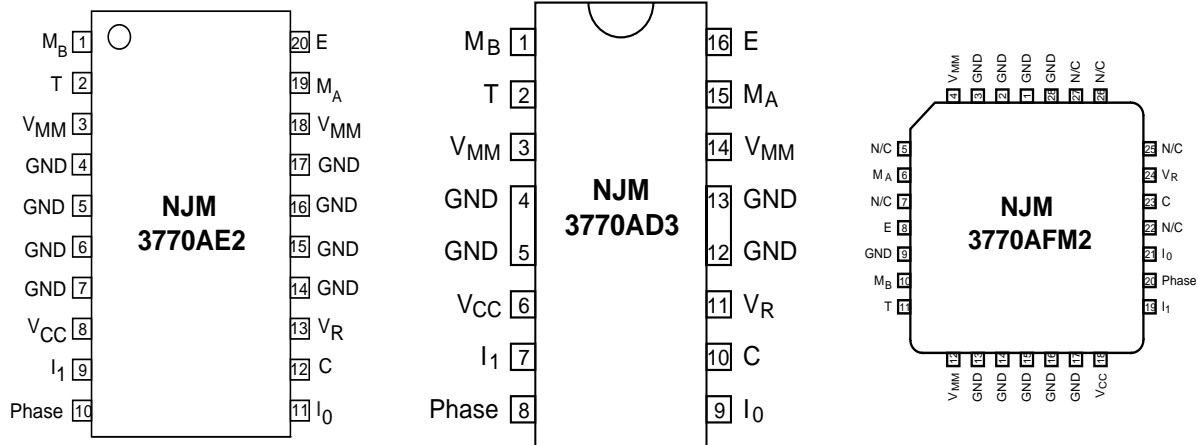


Figure 2. Pin configurations

■ PIN DESCRIPTION

EMP	DIP	PLCC	Symbol	Description
1	1	10	M_B	Motor output B, Motor current flows from M_A to M_B when Phase is high.
2	2	11	T	Clock oscillator. Timing pin connect a 56 k Ω resistor and a 820 pF in parallel between T and Ground.
3	3,14	12,4	V_{MM}	Motor supply voltage, 10 to 40 V. Pin 3(12) and pin 14(4) should be wired to gether.
4-7, 14-18	4,5, 12,13	1-3,9, 13-17,28	GND	Ground and negative supply. Note these pins are used for heatsinking. Make sure that all ground pins are soldered onto a suitable large copper ground plane for efficient heat sinking.
8	6	18	V_{CC}	Logic voltage supply normally +5 V.
9	7	19	I_1	Logic input. It controls, together with the I_0 input, the current level in the output stage. The controllable levels are fixed to 100, 60, 20, 0%.
10	8	20	Phase	Controls the direction of the motor current of M_A and M_B outputs. Motor current flows from M_A to M_B when the phase input is high.
11	9	21	I_0	Logic input. It controls, together with the I_1 input, the current level in the output stage. The controllable levels are fixed to 100, 60, 20, 0%.
12	10	23	C	Comparator input. This input senses the instantaneous voltage across the sensing resistor, filtered through a RC Network.
13	11	24	V_R	Reference voltage. Controls the threshold voltage of the comparator and hence the output current. Input resistance: typically 6.8 k Ω \pm 20%.
19	15	6	M_A	Motor output A, Motor current flows from M_A to M_B when Phase is high.
20	16	8	E	Common emitter. Connect the Sense resistor between this pin and ground.

■ FUNCTIONAL DESCRIPTION

The NJM3770A is intended to drive a bipolar constant current through one winding of a 2-phase stepper motor. Current control is achieved through switched-mode regulation, see figure 3 and 4. Three different current levels and zero current can be selected by the input logic. The circuit contains the following functional blocks:

- Input logic
- Current sense
- Single-pulse generator
- Output stage

Input logic

Phase input

The phase input determines the direction of the current in the motor winding. High input forces the current from terminal M_A to M_B and low input from terminal M_B to M_A . A Schmitt trigger provides noise immunity and a delay circuit eliminates the risk of cross conduction in the output stage during a phase shift.

Half- and full-step operation is possible.

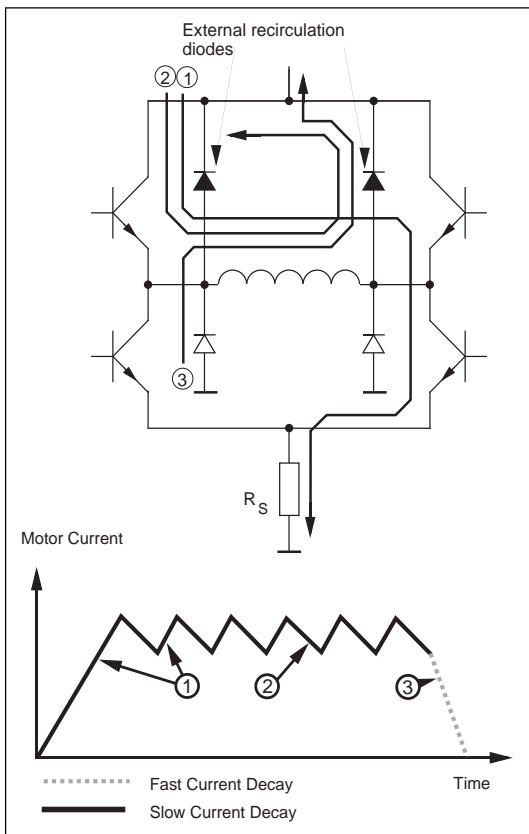


Figure 3. Output stage with current paths for fast and slow current decay.

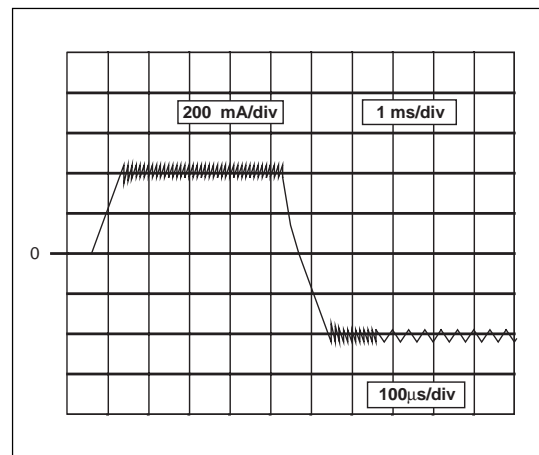


Figure 4. Motor current (I_M),
Vertical : 200 mA/div,
Horizontal: 1 ms/div,
expanded part 100 μ s/div.

Current level selection.

The status of I_0 and I_1 inputs determines the current level in the motor winding. Three fixed current levels can be selected according to the table below.

Motor current		I_0	I_1
High level	100%	L	L
Medium level	60%	H	L
Low level	20%	L	H
Zero current	0%	H	H

The specific values of the different current levels are determined by the reference voltage V_R together with the value of the sensing resistor R_S .

The peak motor current can be calculated as follows:

$$i_m = (V_R \cdot 0.080) / R_S \text{ [A]}, \text{ at 100\% level}$$

The motor current can also be continuously varied by modulating the voltage reference input.

Current sensor

The current sensor contains a reference voltage divider and three comparators for measuring each of the selectable current levels. The motor current is sensed as a voltage drop across the current sensing resistor, R_S , and compared with one of the voltage references from the divider. When the two voltages are equal, the comparator triggers the single-pulse generator. Only one comparator at a time is activated by the input logic.

Single-pulse generator

The pulse generator is a monostable multivibrator triggered on the positive edge of the comparator output. The multivibrator output is high during the pulse time, t_{off} , which is determined by the timing components R_T and C_T .

$$t_{off} = 0.69 \cdot R_T \cdot C_T$$

The single pulse switches off the power feed to the motor winding, causing the winding to decrease during t_{off} .

If a new trigger signal should occur during t_{off} , it is ignored.

Output stage

The output stage contains four transistors and two diodes, connected in an H-bridge. Note that the upper recirculation diodes are connected to the circuit externally. The two sinking transistors are used to switch the power supplied to the motor winding, thus driving a constant current through the winding. See figures 3 and 4.

Overload protection

The circuit is equipped with a thermal shut-down function, which will limit the junction temperature. The output current will be reduced if the maximum permissible junction temperature is exceeded. It should be noted, however, that it is not short circuit protected.

Operation

When a voltage V_{MM} is applied across the motor winding, the current rise follows the equation:

$$i_m = (V_{MM} / R) \cdot (1 - e^{-(R \cdot t) / L})$$

R = Winding resistance

L = Winding inductance

t = time

(see figure 3, arrow 1)

The motor current appears across the external sensing resistor, R_S , as an analog voltage. This voltage is fed through a low-pass filter, $R_C C_C$, to the voltage comparator input (pin 10). At the moment the sensed voltage rises above the comparator threshold voltage, the monostable is triggered and its output turns off the conducting sink transistor. The polarity across the motor winding reverses and the current is forced to circulate through the appropriate upper protection diode back through the source transistor (see figure 3, arrow 2).

After the monostable has timed out, the current has decayed and the analog voltage across the sensing resistor is below the comparator threshold level. The sinking transistor then turns on and the motor current starts to increase again. The cycle is repeated until the current is turned off via the logic inputs. When both I_1 and I_0 are high, all four transistors in the output H-bridge are turned off, which means that inductive current recirculates through two opposite free-wheeling diodes (see figure 3, arrow 3). This method of turning off the current results in a faster current decay than if only one transistor was turned off and will therefore improve speed performance in half-stepping mode.

■ ABSOLUTE MAXIMUM RATINGS

Parameter	Pin no. [DIP package]	Symbol	Min	Max	Unit
Voltage					
Logic supply	6	V_{CC}	0	7	V
Motor supply	3, 14	V_{MM}	0	45	V
Logic inputs	7,8,9	V_I	-0.3	6	V
Comparator input	10	V_C	-0.3	V_{CC}	V
Reference input	11	V_R	-0.3	15	V
Current					
Motor output current	1, 15	I_M	-1800	+1800	mA
Logic inputs	7,8,9	I_I	-10	-	mA
Analog inputs	10,11	I_A	-10	-	mA
Temperature					
Operating junction temperature		T_j	-40	+150	°C
Storage temperature		T_s	-55	+150	°C

■ RECOMMENDED OPERATING CONDITIONS

Parameter	Symbol	Min	Typ	Max	Unit
Logic supply voltage	V_{CC}	4.75	5	5.25	V
Motor supply voltage	V_{MM}	10	-	40	V
Motor output current	I_M	-1500	-	+1500	mA
Junction temperature	T_j	-20	-	+125	°C
Rise time logic inputs	t_r	-	-	2	μs
Fall time logic inputs	t_f	-	-	2	μs

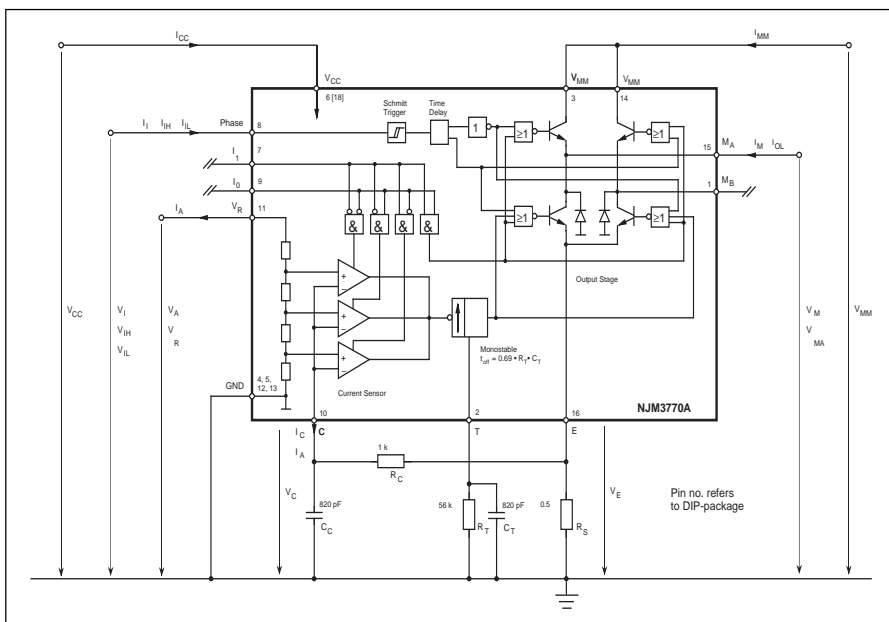


Figure 5. Definition of symbols

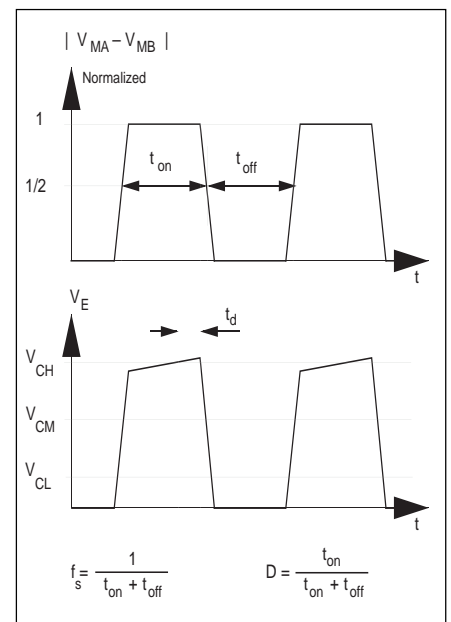


Figure 6. Definition of terms

■ ELECTRICAL CHARACTERISTICS

Electrical characteristics over recommended operating conditions. $C_T = 820 \text{ pF}$, $R_T = 56 \text{ kohm}$

Parameter	Symbol	Conditions	Min	Typ	Max	Unit
General						
Supply current	I_{CC}	$V_{MM} = 20 \text{ to } 40 \text{ V}$, $I_0 = I_1 = \text{HIGH}$. $V_{MM} = 20 \text{ to } 40 \text{ V}$, $I_0 = I_1 = \text{LOW}$, $f_s = 23 \text{ kHz}$	-	30	40	mA
			-	48	65	mA
Total power dissipation	P_D	$f_s = 28 \text{ kHz}$, $I_M = 1.0 \text{ A}$, $V_{MM} = 36 \text{ V}$ Note 2, 4.	-	1.9	2.3	W
		$f_s = 24 \text{ kHz}$, $I_M = 1.0 \text{ A}$, $V_{MM} = 12 \text{ V}$ Note 2, 4.	-	1.7	2.1	W
		$f_s = 28 \text{ kHz}$, $I_M = 1.3 \text{ A}$, $V_{MM} = 36 \text{ V}$ Note 3, 4.	-	2.7	3.2	W
		$f_s = 28 \text{ kHz}$, $I_M = 1.5 \text{ A}$, $V_{MM} = 36 \text{ V}$ Note 3, 4.	-	3.5	-	W
Turn-off delay	t_d	$T_a = +25^\circ\text{C}$, $dV_c/dt \geq 50 \text{ mV}/\mu\text{s}$.	-	-	2.5	μs
Thermal shutdown junction temperature			-	170	-	$^\circ\text{C}$
Logic Inputs						
Logic HIGH input voltage	V_{IH}		2.0	-	-	V
Logic LOW input voltage	V_{IL}		-	-	0.8	V
Logic HIGH input current	I_{IH}	$V_I = 2.4 \text{ V}$	-	-	20	μA
Logic LOW input current	I_{IL}	$V_I = 0.4 \text{ V}$	-0.4	-	-	mA
Analog Inputs						
Comparator threshold voltage	V_{CH}	$V_R = 5.0 \text{ V}$, $I_0 = I_1 = \text{LOW}$	400	415	430	mV
Comparator threshold voltage	V_{CM}	$V_R = 5.0 \text{ V}$, $I_0 = \text{HIGH}$, $I_1 = \text{LOW}$	240	250	265	mV
Comparator threshold voltage	V_{CL}	$V_R = 5.0 \text{ V}$, $I_0 = \text{LOW}$, $I_1 = \text{HIGH}$	70	80	90	mV
Input current	I_C		-20	-	-	μA
Motor Outputs						
Lower transistor saturation voltage		$I_M = 1.0 \text{ A}$	-	0.5	0.8	V
		$I_M = 1.3 \text{ A}$	-	0.8	1.3	V
Lower diode forward voltage drop		$I_M = 1.0 \text{ A}$	-	1.3	1.6	V
		$I_M = 1.3 \text{ A}$	-	1.5	1.8	V
Upper transistor saturation voltage		$I_M = 1.0 \text{ A}$	-	1.1	1.3	V
		$I_M = 1.3 \text{ A}$	-	1.3	1.6	V
Output leakage current		$I_0 = I_1 = \text{HIGH}$, $T_a = +25^\circ\text{C}$	-	-	100	μA
Monostable						
Cut off time	t_{off}	$V_{MM} = 10 \text{ V}$, $t_{on} \geq 5 \mu\text{s}$	27	31	35	μs

■ THERMAL CHARACTERISTICS

Parameter	Symbol	Conditions	Min	Typ	Max	Unit
Thermal resistance	$R_{th_{J-GND}}$	DIP package.	-	11	-	$^\circ\text{C}/\text{W}$
	$R_{th_{J-A}}$	DIP package. Note 2.	-	40	-	$^\circ\text{C}/\text{W}$
	$R_{th_{J-GND}}$	PLCC package.	-	9	-	$^\circ\text{C}/\text{W}$
	$R_{th_{J-A}}$	PLCC package. Note 2.	-	35	-	$^\circ\text{C}/\text{W}$
	$R_{th_{J-GND}}$	EMP package.	-	11	-	$^\circ\text{C}/\text{W}$
	$R_{th_{J-A}}$	EMP package.	-	40	-	$^\circ\text{C}/\text{W}$

Notes

1. All voltages are with respect to ground. Currents are positive into, negative out of specified terminal
2. All ground pins soldered onto a 20 cm^2 PCB copper area with free air convection $T_a = +25^\circ\text{C}$
3. DIP package with external heatsink (Staver V7) and minimal copper area. Typical $R_{th_{J-A}} = 27.5^\circ\text{C}/\text{W}$. $T_a = +25^\circ\text{C}$
4. Not covered by final test program

Analog control

As the current levels can be continuously controlled by modulating the V_R input, limited microstepping can be achieved.

Sensor resistor

The R_S resistor should be of a noninductive type power resistor. A 0.5 ohm resistor, tolerance $\leq 1\%$, is a good choice for 800 mA max motor current at $V_R = 5V$.

The peak motor current, i_m , can be calculated by using the formula:

$$i_m = (V_R \cdot 0.080) / R_S \text{ [A]}, \text{ at 100\% level}$$

External recirculation diodes

Recirculation diodes must be connected across each motor terminal and the supply voltage, V_{MM} . The anodes shall be connected to the motor terminals and the cathodes to the V_{MM} voltage. Ultra-fast recovery diodes should be used for maximum performance and reliability.

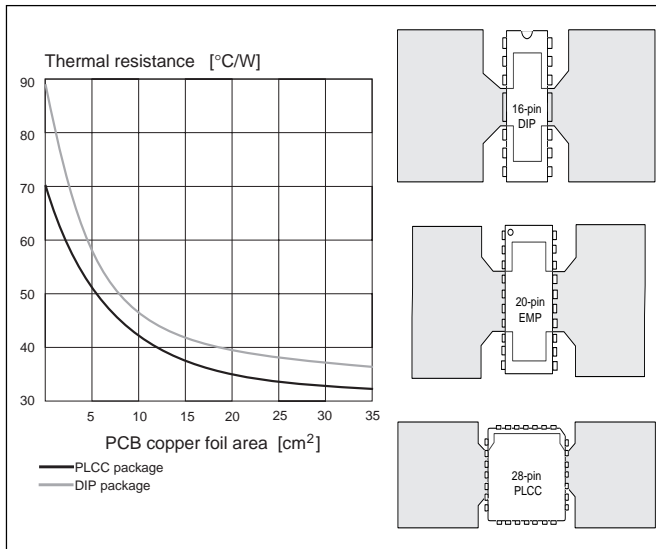


Figure 8. Copper foil used as a heatsink

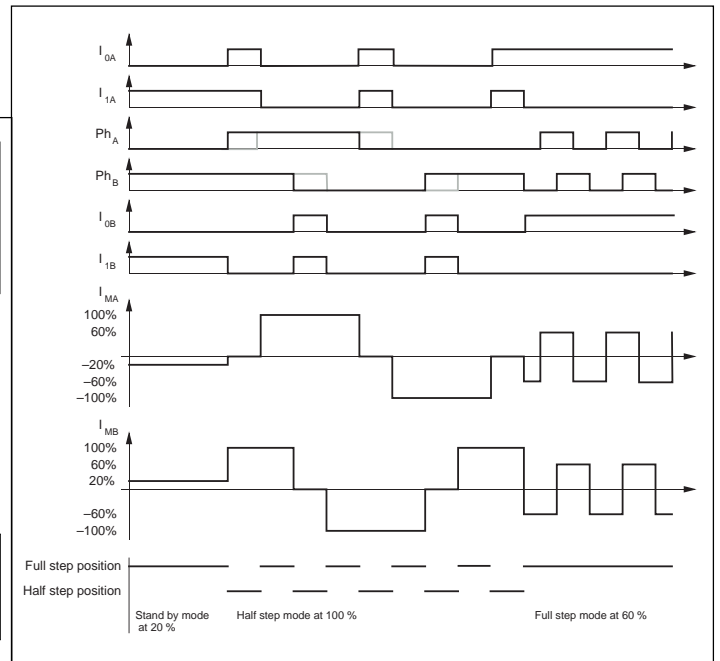


Figure 9. Principal operating sequence.

Heatsinking

The junction temperature of the chip highly effects the lifetime of the circuit. In high-current applications, the heatsinking must be carefully considered.

The $R_{th(j-a)}$ of the NJM3770A can be reduced by soldering the ground pins to a suitable copper ground plane on the printed circuit board (see figure 8) or by applying an external heatsink type V7 or V8, see figure 10.

The diagram in figure 15 shows the maximum permissible power dissipation versus the ambient temperature in °C, for heatsinks of the type V7, V8, or a 20 cm² copper area respectively. Any external heatsink or printed circuit board copper must be connected to electrical ground.

For motor currents higher than approx 600 mA, some form of heatsinking is recommended to assure optimal reliability.

The diagrams in figures 14 and 15 can be used to determine the required heatsinking of the circuit. In some systems, forced-air cooling may be available to reduce the temperature rise of the circuit.

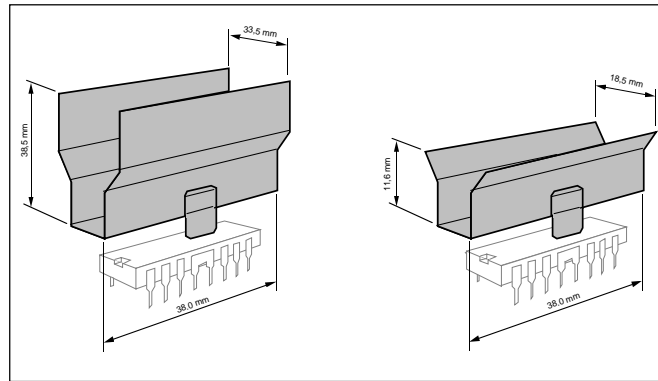


Figure 10. Heatsinks, Staver, type V7 and V8 by Columbia-Staver UK

■ TYPICAL CHARACTERISTICS

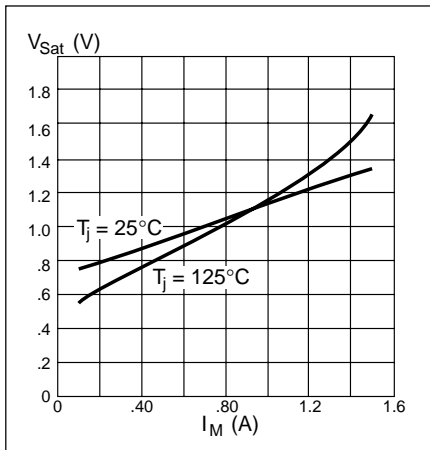


Figure 11. Typical source saturation vs. output current

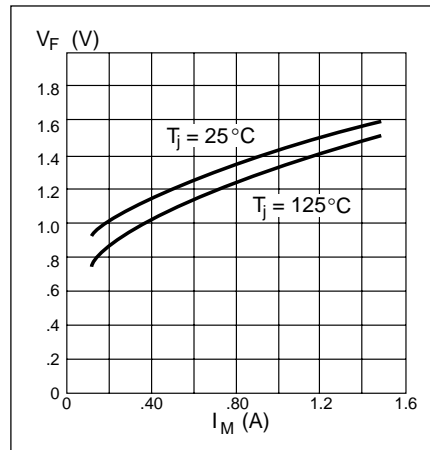


Figure 12. Typical lower diode voltage drop vs. recirculating current

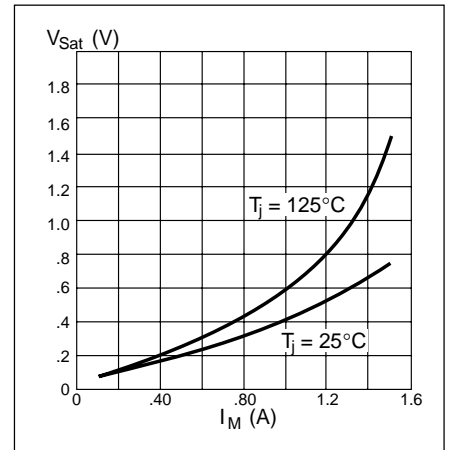


Figure 13. Typical sink saturation vs. output current

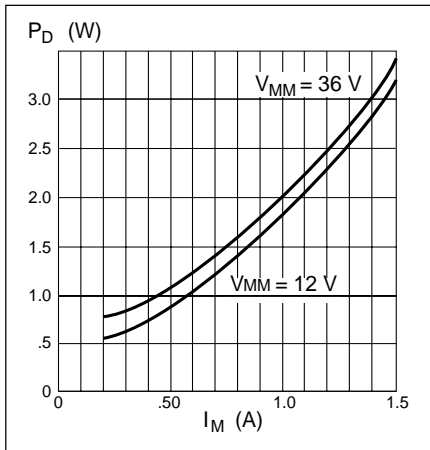


Figure 14. Typical power dissipation vs. motor current

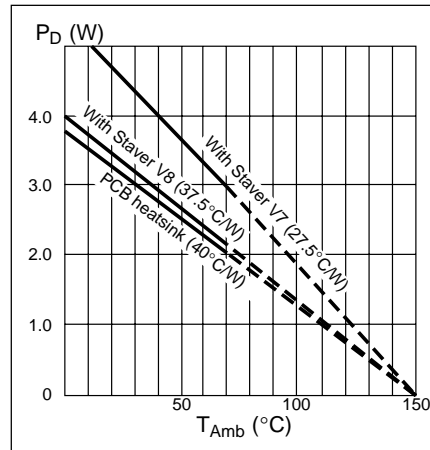


Figure 15. Allowable power dissipation vs. ambient temperature

The specifications on this databook are only given for information, without any guarantee as regards either mistakes or omissions. The application circuits in this databook are described only to show representative usages of the product and not intended for the guarantee or permission of any right including the industrial rights.