



SCALE 1:1

### TECHNICAL SPECIFICATION :

MAX. CURRENT : 16.0A  
 INSULATION RESISTANCE : 100Megaohms min.  
 MAX. CONDUCTOR : 1.50mm<sup>2</sup>/16AWG  
 MAX. VOLTAGE : 250V  
 CONTACT RESISTANCE : ≤15milliohms max.

CABLE DIAMETER RANGE :  
 PG6-M16 : 6.00-8.00mm  
 PG11 - G1/2"-M20 : 8.00-10.0mm

OPERATING TEMPERTURE WITH:  
 NITRILE RUBBER(NBR) GASKET : -40°C TO +90°C  
 SILICONE : -40°C TO +125°C

ENVIRONMENTAL : IP65  
 (IP67 AVAIABLE ON REQUEST)

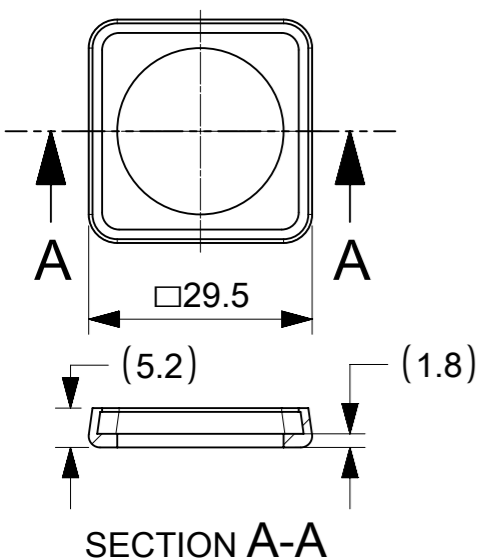
#### BOM

| ITEM | DESCRIPTION     | QTY. |
|------|-----------------|------|
| 1    | SCREW           | 1    |
| 2    | COVER ASSEMBLY  | 1    |
| 3    | INSERT ASSEMBLY | 1    |
| 4    | GASKET          | 1    |

#### INTEGRATED GASKET



#### PROFIED GASKET



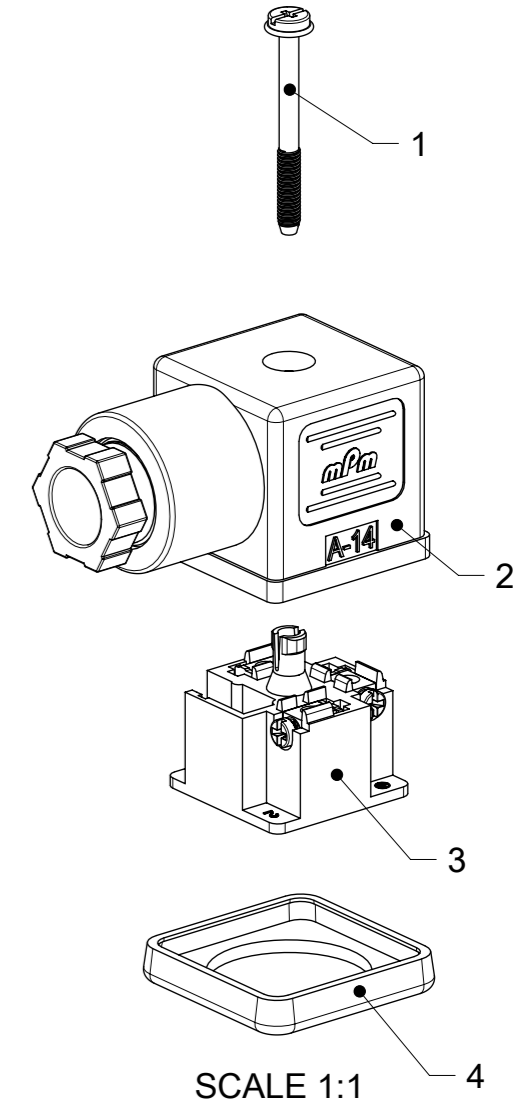
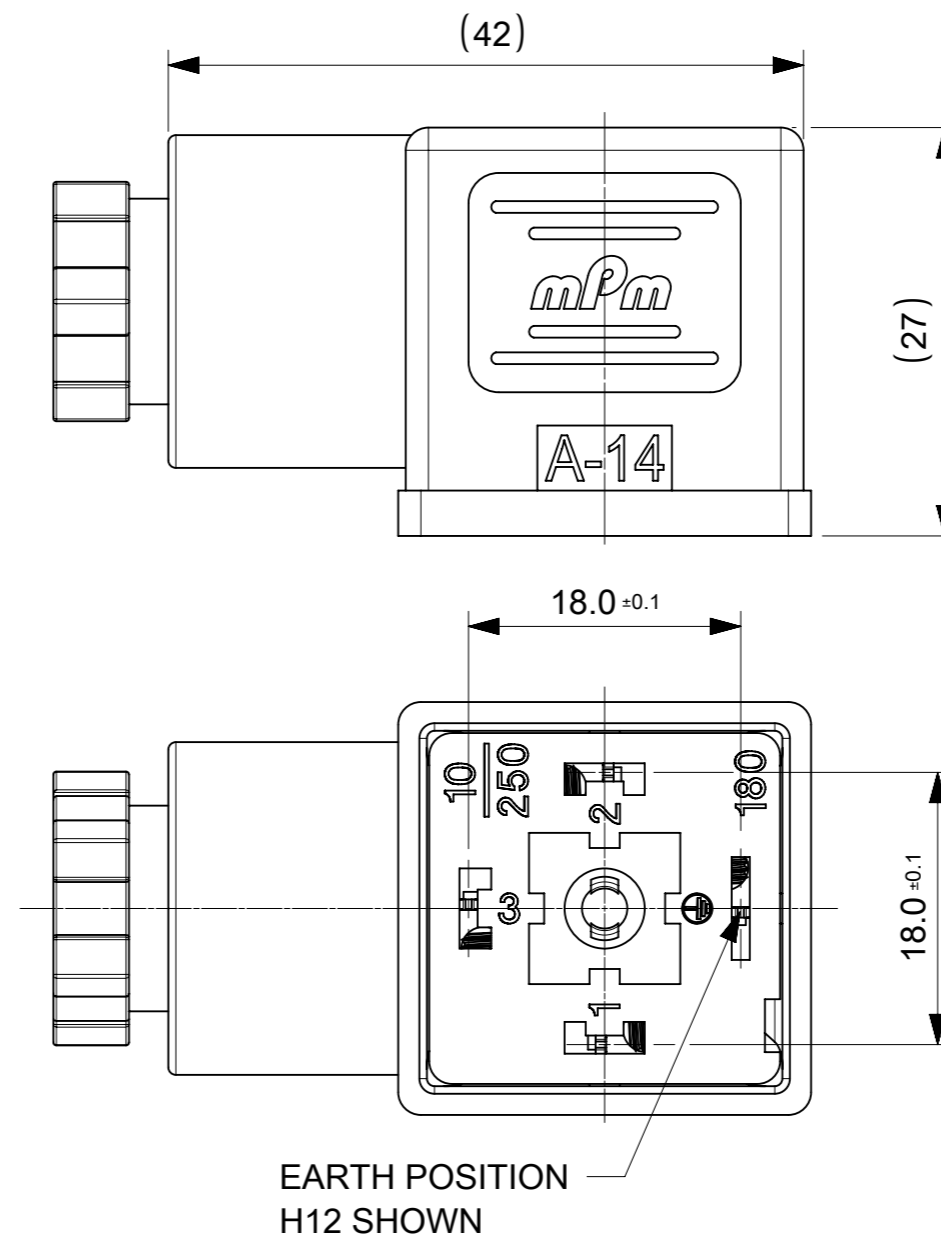
#### FLAT GASKET



#### SCREW M3x29



#### SCREW M3x30 + WASHER



#### NOTES :

- PLEASE SEE PDP 1210230229 FOR CURRENTLY CONFIGURED PART NUMBERS.
- FOR PACKAGING SEE PACKAGING SPEC PK-121023-C18
- PRODUCT SPEC : SEE PS-121201-001

|         |   |                    |                        |                            |                             |                             |
|---------|---|--------------------|------------------------|----------------------------|-----------------------------|-----------------------------|
| SYMBOLS | THIS DRAWING CONTAINS INFORMATION THAT IS PROPRIETARY TO MOLEX ELECTRONIC TECHNOLOGIES, LLC AND SHOULD NOT BE USED WITHOUT WRITTEN PERMISSION |                    | CURRENT REV DESC:      |                            |                             |                             |
|         | ▽ = 0   | mm                 | SCALE                  | 2:1                        |                             | C18 SERIES ASSEMBLY OPTIONS |
| ▽ = 0   | GENERAL TOLERANCES (UNLESS SPECIFIED)   |                    |                        | EC NO: 707042              | C18 SERIES ASSEMBLY OPTIONS |                             |
| ▽ = 0   | ANGULAR TOL ± °   |                    |                        | DRWN: APAWLAK01 2022/05/17 |                             |                             |
| ▽ = 0   | 4 PLACES ±  |                    |                        | CHK'D: RSILLER 2022/05/19  | PRODUCT CUSTOMER DRAWING    |                             |
| ▽ = 0   | 3 PLACES ±  |                    |                        | APPR: RSILLER 2022/05/19   |                             |                             |
| ▽ = 0   | 2 PLACES ± 0.1  |                    |                        | INITIAL REVISION:          | DOCUMENT NUMBER             |                             |
| ▽ = 0   | 1 PLACE ± 0.2   |                    |                        | DRWN: SSM 2019/01/09       |                             | 1210230229                  |
| ▽ = 0   | 0 PLACES ±  |                    |                        | APPR: RSILLER 2019/01/15   | DOC TYPE                    |                             |
| □ = 0   | DRAFT WHERE APPLICABLE MUST REMAIN WITHIN DIMENSIONS  |                    | THIRD ANGLE PROJECTION | DRAWING                    | SERIES                      | DOC PART                    |
| ▽ = 0   |   |                    |                        | A3-SIZE                    | 121023                      | REVISION                    |
|         |   | MATERIAL NUMBER    | CUSTOMER               | SHEET NUMBER               |                             |                             |
|         |   | SEE 1210230229 PDP | GENERAL MARKET         | 1 OF 2                     |                             |                             |

# C18 SERIES MATRIX

C 1 8 X X X X X X X X

## OPTIONS

**SERIES**  
C18 - INTERNAL  
THREAD  
FORM A

**POLES**  
2 - 2 POLE  
3 - 3 POLE

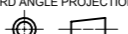
**THREAD**  
09 - PG9  
11- PG11  
M6 - M6x1.5  
M0 - M20x1.5  
12 - 1/2" GAS,  
13 - 1/2" NPTF  
39 - PG9 W/STRAIN RELIEF  
41 - PG11 W/STRAIN RELIEF

**GROUND  
POSITION :**  
0 - UNMOUNTED  
2 - H12  
3 - H3  
6 - H6  
9 - H9

**MATERIAL AND  
HOUSING COLOR:**  
G - PA6 Grey  
N - Black Black  
T - Transparent  
W - Black UL94 - V0  
H - PA6 HEAT PROTECTION  
Z - Grey V0

**SCREW AND GASKET**  
1 - NBR PROFILE GASKET & SCREW  
2 - NBR FLAT GASKET & SCREW  
3 - WHITE SILICONE PROFILE GASKET & SCREW  
4 - WHITE SILICONE FLAT GASKET & SCREW  
5 - NBR PROFILE GASKET, NO SCREW  
9 - NO GASKET , NO SCREW  
0 - NO GASKET , NO SCREW  
A - NBR PROFILE GASKET & SCREW + 2mm  
B - NBR FLAT GASKET & SCREW + 2mm  
C - WHITE SILICONE PROFILE GASKET & SCREW + 2mm  
G - NO GASKET & STANDARD SCREW  
I - BULK PACK FULLY MOUNTED , NO GASKET  
P - INTEGRATED NBR GASKET & IP67 SCREW ASSEMBLED  
R - INTEGRATED NBR GASKET & IP97 SCREW NOT ASSEMBLED

**NON STANDARD COMPONETS**  
AF - WITH CENTRE SCREW MOUNTED  
14 - SINGLE BAGGED  
SA - UL LISTED  
19 - PIN No.3 NON CONNECTED/REMOVED  
23 - ASSEMBLED SCREWS & GASKET  
10 - SPECIAL GROMMET  
4S - SPECIAL GROMMET  
5A - SINGLED BAGGED 500 IN A BOX  
9V - NO SCREW OR GASKET  
BM - GOLD TERMINALS  
BS - FULLY MOUNTED ALL COMPONENTS  
IN SEPERATE BAGS  
OH - INOX SCREW  
P7 - IP67 COMPLIANT

|         |   |         |  |                    |                            |
|---------|---|---------|--|--------------------|----------------------------|
| SYMBOLS | THIS DRAWING CONTAINS INFORMATION THAT IS PROPRIETARY TO MOLEX ELECTRONIC TECHNOLOGIES, LLC AND SHOULD NOT BE USED WITHOUT WRITTEN PERMISSION |         | <br>C18 SERIES ASSEMBLY OPTIONS |                    |                            |
|         | DIMENSION UNITS   | SCALE   |  |                    |                            |
| ▽ = 0   | mm  | 1:1     | EC NO: 707042  |                    |                            |
| ▽ = 0   | GENERAL TOLERANCES (UNLESS SPECIFIED)   |         | DRWN: APAWLAK01 2022/05/17   |                    |                            |
| ▽ = 0   | ANGULAR TOL ± °   |         | CHK'D: RSILLER 2022/05/19  |                    |                            |
| ▽ = 0   | 4 PLACES ±  |         | APPR: RSILLER 2022/05/19   |                    |                            |
| ▽ = 0   | 3 PLACES ±  |         | INITIAL REVISION:  |                    |                            |
| ▽ = 0   | 2 PLACES ± 0.1  |         | DRWN: SSM 2019/01/09   |                    |                            |
| ▽ = 0   | 1 PLACE ± 0.2   |         | APPR: RSILLER 2019/01/15   |                    |                            |
| ▽ = 0   | 0 PLACES ±  |         | DOCUMENT NUMBER  |                    |                            |
| □ = 0   | DRAFT WHERE APPLICABLE MUST REMAIN WITHIN DIMENSIONS  |         | 1210230229   |                    |                            |
| ▽ = 0   | THIRD ANGLE PROJECTION  | DRAWING | SERIES   | MATERIAL NUMBER    | CUSTOMER                   |
|         |    | A3-SIZE | 121023   | SEE 1210230229 PDP | GENERAL MARKET             |
|         |   |         |  |                    | DOC TYPE DOC PART REVISION |
|         |   |         |  |                    | PSD 000 A1                 |
|         |   |         |  |                    | SHEET NUMBER               |
|         |   |         |  |                    | 2 OF 2                     |

| ITEM | DESCRIPTION     |
|------|-----------------|
| 1    | SCREW           |
| 2    | COVER ASSEMBLY  |
| 3    | INSERT ASSEMBLY |
| 4    | GASKET          |

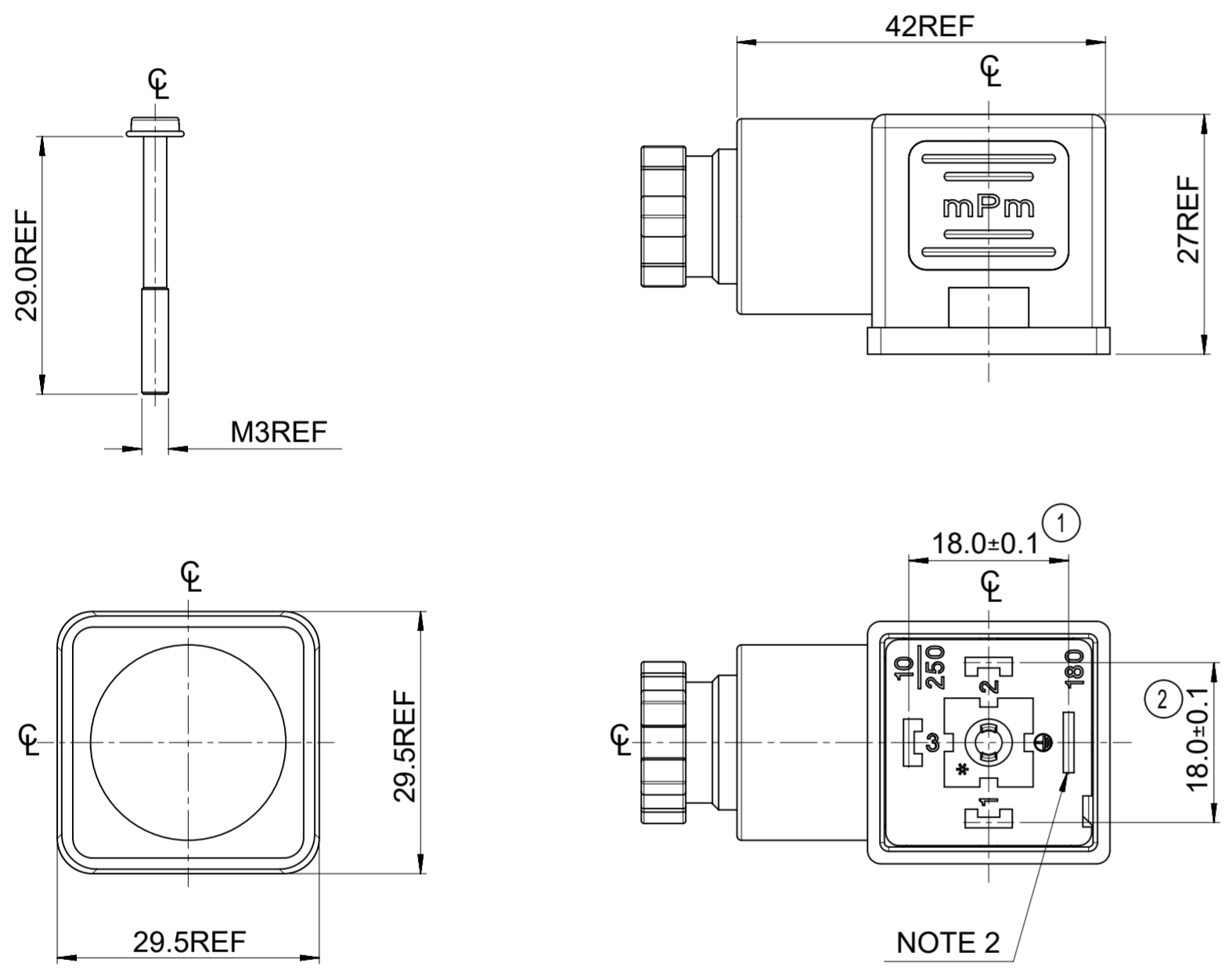
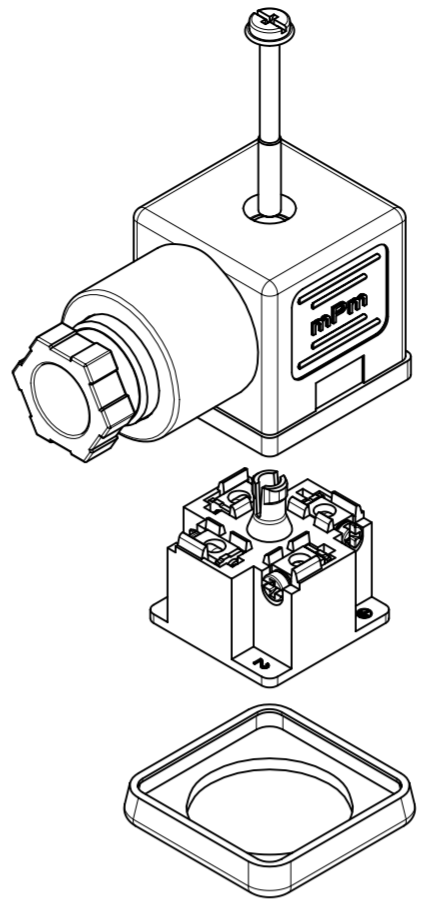
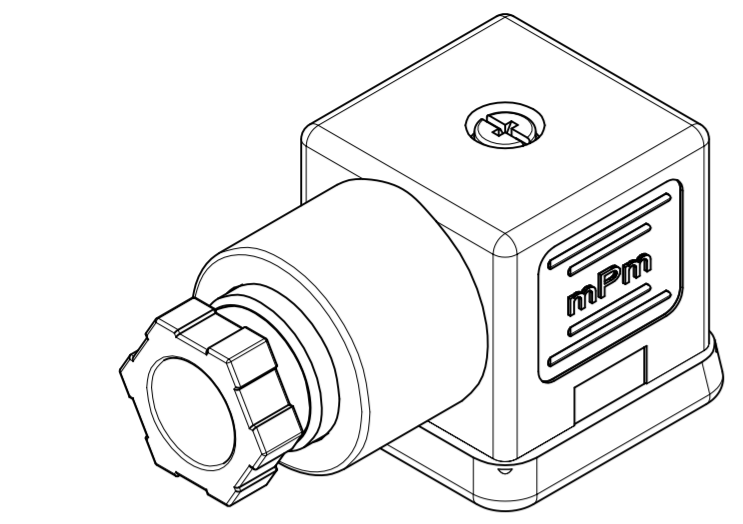
# C18209N21\*\*

SERIES \_\_\_\_\_  
 C18= INTERNAL THREAD FORM A  
 POLES \_\_\_\_\_  
 2= 2 POLE & 3= 3 POLE  
 THREAD SIZE \_\_\_\_\_  
 09= PG9, 11= PG11, M6= M16x1.5, M0= M20x1.5, 12= 1/2" GAS, 13= 1/2" NPTF  
 39= PG9 W/STRAIN RELIEF, 41= PG11 W/STRAIN RELIEF  
 MATERIAL AND HOUSING COLOUR \_\_\_\_\_  
 G = PA6 GRAY, H= PA6 HEAT PROTECTION,  
 N= PA6 BLACK, W= PA66 BLACK V0, T= TRANSPARENT  
 GROUND POSITION \_\_\_\_\_  
 0= UNMOUNTED, 2= H12, 3= H3, 6= H6 & 9= H9

SCREW AND GASKET \_\_\_\_\_  
 1= NBR PROFILE GASKET & SCREW  
 2= NBR FLAT GASKET & SCREW  
 3= WHITE SILICONE PROFILE GASKET & SCREW  
 4= WHITE SILICONE FLAT GASKET & SCREW  
 5= NBR PROFILE GASKET, NO SCREW  
 9= NO GASKET, NO SCREW  
 0= NO GASKET, NO SCREW  
 A= NBR PROFILE GASKET & SCREW +2mm  
 B= NBR FLAT GASKET & SCREW +2mm  
 C= WHITE SILICONE PROFILE GASKET & SCREW +2mm  
 G= NO GASKET & STANDARD SCREW  
 I= BULK PACK FULLY MOUNTED, NO GASKET  
 P= INTEGRATED NBR GASKET & IP67 SCREW ASSEMBLED  
 R= INTEGRATED NBR GASKET & IP67 SCREW NOT ASSEMBLED

NON STANDARD COMPONENTS \_\_\_\_\_  
 14= SINGLE BAG  
 19= PIN NO.3 NON CONNECTED/REMOVED,  
 23= ASSEMBLED SCREWS & GASKET  
 10= SPECIAL GROMMET  
 4S= SPECIAL GROMMET  
 5A= SINGLE BAGGED 500 IN A BOX  
 9V= NO SCREW OR GASKET  
 AF= CENTRE SCREW MOUNTED  
 BM= GOLD TERMINALS  
 BS= FULLY UNMOUNTED ALL COMPONENTS IN SEPARATE BAGS  
 OH= INOX SCREW  
 P7= IP67 COMPLIANT  
 SA= UL LISTED PART

PRE-RELEASE  
 REFERENCE  
 USE ONLY



NOTE 2

- NOTES
- PLEASE SEE SHEET 2 FOR CURRENTLY CONFIGURED PART NUMBERS, FOR SPECIFIC PART NUMBERS PLEASE CONTACT SALES OR CONSULT THE INTELLIGENT PART NUMBERS IN THE TABLE ATTACHED
  - EARTH POSITION SHOWN, H12.
  - FOR PACKAGING SEE PACKAGING SPEC PK-121023-C18
  - PRODUCT SPEC: SEE PS-121201-001

LAST INSPECTION NUMBER 2

|   |    |                        |   |  |  |                |  |                 |  |
|---|----|------------------------|---|--|--|----------------|--|-----------------|--|
| THIS DRAWING CONTAINS INFORMATION THAT IS PROPRIETARY TO MOLEX ELECTRONIC TECHNOLOGIES, LLC AND SHOULD NOT BE USED WITHOUT WRITTEN PERMISSION |    |                        |   |  |  |                |  |                 |  |
| DIMENSION UNITS   |    | SCALE                  |   | CURRENT REV DESC: REMOVED OBSOLETE PART NUMBER AS PER PCN#509989.  |  |                |  |                 |  |
| mm  |    | 1.5:1                  |   | EC NO: 708673<br>DRWN: SANTHN 2022/05/12<br>CHK'D: GGA 2022/06/22<br>APPR: GGA 2022/06/22<br>INITIAL REVISION:<br>DRWN: JOCONNOR 2011/05/04<br>APPR: EFOLAN 2011/05/24 |  |                |  |                 |  |
| GENERAL TOLERANCES (UNLESS SPECIFIED)   |    |                        |   |  |  |                |  |                 |  |
|   | MM | INCH                   |   |  |  |                |  |                 |  |
| 4 PLACES  | ±  |                        | ± |  |  |                |  |                 |  |
| 3 PLACES  | ±  |                        | ± |  |  |                |  |                 |  |
| 2 PLACES  | ±  | 0.1                    | ± |  |  |                |  |                 |  |
| 1 PLACE   | ±  | 0.2                    | ± |  |  |                |  |                 |  |
| 0 PLACES  | ±  |                        | ± |  |  |                |  |                 |  |
| ANGULAR TOL   | ±  |                        | ° |  |  |                |  |                 |  |
| DRAFT WHERE APPLICABLE MUST REMAIN WITHIN DIMENSIONS  |    | THIRD ANGLE PROJECTION |   | DRAWING  |  | SERIES         |  | MATERIAL NUMBER |  |
|   |    | A2-SIZE                |   | 121023   |  | SEE TABLE      |  | CUSTOMER        |  |
|   |    |                        |   |  |  | GENERAL MARKET |  | SHEET NUMBER    |  |
|   |    |                        |   |  |  |                |  | 1 OF 2          |  |



C18 SERIES  
 INTERNAL THREAD

PRODUCT CUSTOMER DRAWING

DOCUMENT NUMBER  
**SD-121023-001**

DOC TYPE | DOC PART | REVISION  
 PSD | 001 | P1

| PART No.   | mPm PART No. | DESCRIPTION  |
|------------|--------------|--|
| 1210230229 | C18209G21    | TYPE A 2P PG9 GRAY, NBR PROFILE GASKET & SCREW                                   |
| 1210230231 | C18209G22    | TYPE A 2P PG9 GRAY, NBR FLAT GASKET & SCREW                                      |
| 1210230238 | C18209N21    | TYPE A 2P PG9 BLACK, NBR PROFILE GASKET & SCREW                                  |
| 1210230242 | C18209N22    | TYPE A 2P PG9 BLACK, NBR FLAT GASKET & SCREW                                     |
| 1210230244 | C18209N23    | TYPE A 2P PG9 BLACK, WHITE SILICONE PROFILE GASKET & SCREW                       |
| 1210230245 | C18209N24    | TYPE A 2P PG9 BLACK, WHITE SILICONE FLAT GASKET & SCREW                          |
| 1210230246 | C18209N25    | TYPE A 2P PG9 BLACK, NBR PROFILE GASKET, NO SCREW                                |
| 1210230249 | C18209N2A    | TYPE A 2P PG9 BLACK, NBR PROFILE GASKET & SCREW +2mm                             |
| 1210230251 | C18209N31    | TYPE A 2P PG9 BLACK, NBR PROFILE GASKET & SCREW                                  |
| 1210230252 | C18209N61    | TYPE A 2P PG9 BLACK, NBR PROFILE GASKET & SCREW                                  |
| 1210230253 | C18209N62    | TYPE A 2P PG9 BLACK, NBR FLAT GASKET & SCREW                                     |
| 1210230254 | C18209T21    | TYPE A 2P PG9 TRANSPARENT, NBR PROFILE GASKET & SCREW                            |
| 1210230271 | C18211G21    | TYPE A 2P PG11 GRAY, NBR PROFILE GASKET & SCREW                                  |
| 1210230278 | C18211N21    | TYPE A 2P PG11 BLACK, NBR PROFILE GASKET & SCREW                                 |
| 1210230282 | C18211N23    | TYPE A 2P PG11 BLACK, WHITE SILICONE PROFILE GASKET & SCREW                      |
| 1210230283 | C18211N24    | TYPE A 2P PG11 BLACK, WHITE SILICONE FLAT GASKET & SCREW                         |
| 1210230284 | C18211N61    | TYPE A 2P PG11 BLACK, NBR PROFILE GASKET & SCREW                                 |
| 1210230286 | C18211T21    | TYPE A 2P PG11 TRANSPARENT, NBR PROFILE GASKET & SCREW                           |
| 1210230305 | C18212N21    | TYPE A 2P 1/2" GAS BLACK, NBR PROFILE GASKET & SCREW                             |
| 1210230315 | C18213G21    | TYPE A 2P 1/2" NPTF GRAY, NBR PROFILE GASKET & SCREW                             |
| 1210230319 | C18213N21    | TYPE A 2P 1/2" NPTF BLACK, NBR PROFILE GASKET & SCREW                            |
| 1210230328 | C18239G21    | TYPE A 2P PG9 W/STRAIN RELIEF GRAY, NBR PROFILE GASKET & SCREW                   |
| 1210230331 | C18241N21    | TYPE A 2P PG11 W/STRAIN RELIEF BLACK, NBR PROFILE GASKET & SCREW                 |
| 1210230336 | C18309G21    | TYPE A 3P PG9 GRAY, NBR PROFILE GASKET & SCREW                                   |
| 1210230337 | C18309G22    | TYPE A 3P PG9 GRAY, NBR FLAT GASKET & SCREW                                      |
| 1210230341 | C18309N21    | TYPE A 3P PG9 BLACK, NBR PROFILE GASKET & SCREW                                  |
| 1210230345 | C18309N23    | TYPE A 3P PG9 BLACK, WHITE SILICONE PROFILE GASKET & SCREW                       |
| 1210230346 | C18309N24    | TYPE A 3P PG9 BLACK, WHITE SILICONE FLAT GASKET & SCREW                          |
| 1210230352 | C18309N2G    | TYPE A 3P PG9 BLACK, NO GASKET, & STANDARD SCREW                                 |
| 1210230354 | C18309N61    | TYPE A 3P PG9 BLACK, NBR PROFILE GASKET & SCREW                                  |
| 1210230358 | C18309T21    | TYPE A 3P PG9 TRANSPARENT, NBR PROFILE GASKET & SCREW                            |
| 1210230364 | C18309W21    | TYPE A 3P PG9 BLACK V0, NBR PROFILE GASKET & SCREW                               |
| 1210230367 | C18309W23    | TYPE A 3P PG9 BLACK V0, WHITE SILICONE PROFILE GASKET & SCREW                    |
| 1210230372 | C18311G21    | TYPE A 3P PG11 GRAY, NBR PROFILE GASKET & SCREW                                  |
| 1210230373 | C18311G22    | TYPE A 3P PG11 GRAY, NBR FLAT GASKET & SCREW                                     |
| 1210230374 | C18311G61    | TYPE A 3P PG11 GRAY, NBR PROFILE GASKET & SCREW                                  |
| 1210230377 | C18311N21    | TYPE A 3P PG11 BLACK, NBR PROFILE GASKET & SCREW                                 |
| 1210230378 | C18311N22    | TYPE A 3P PG11 BLACK, NBR FLAT GASKET & SCREW                                    |
| 1210230379 | C18311N31    | TYPE A 3P PG11 BLACK, NBR PROFILE GASKET & SCREW                                 |
| 1210230382 | C18311N61    | TYPE A 3P PG11 BLACK, NBR PROFILE GASKET & SCREW                                 |
| 1210230384 | C18311T21    | TYPE A 3P PG11 TRANSPARENT, NBR PROFILE GASKET & SCREW                           |
| 1210230388 | C18311W21    | TYPE A 3P PG11 BLACK V0, NBR PROFILE GASKET & SCREW                              |
| 1210230400 | C18312N21    | TYPE A 3P 1/2" GAS BLACK, NBR PROFILE GASKET & SCREW                             |
| 1210230401 | C18312N22    | TYPE A 3P 1/2" GAS BLACK, NBR FLAT GASKET & SCREW                                |
| 1210230410 | C18313G21    | TYPE A 3P 1/2" NPTF GRAY, NBR PROFILE GASKET & SCREW                             |
| 1210230414 | C18313N21    | TYPE A 3P 1/2" NPTF BLACK, NBR PROFILE GASKET & SCREW                            |
| 1210230415 | C18313N22    | TYPE A 3P 1/2" NPTF BLACK, NBR FLAT GASKET & SCREW                               |
| 1210230421 | C18339N23    | TYPE A 3P PG9 W/STRAIN RELIEF BLACK, WHITE SILICONE PROFILE GASKET & SCREW       |
| 1210230422 | C18339N2C    | TYPE A 3P PG9 W/STRAIN RELIEF BLACK, WHITE SILICONE PROFILE GASKET, & SCREW +2mm |
| 1210230645 | C183M6N21    | TYPE A 3P M16x1.5 BLACK, NBR PROFILE GASKET & SCREW                              |
| 1210230656 | C183M6G21    | TYPE A 3P M16x1.5 GRAY, NBR PROFILE GASKET & SCREW                               |
| 1210230660 | C183M0N21    | TYPE A 3P M20x1.5 BLACK, NBR PROFILE GASKET & SCREW                              |
| 1210230662 | C182MON21    | TYPE A 2P M20x1.5 BLACK, NBR PROFILE GASKET & SCREW                              |
| 1210230677 | C182M6N21    | TYPE A 2P M16x1.5 BLACK, NBR PROFILE GASKET & SCREW                              |
| 1210230704 | C182M6N22    | TYPE A 2P M16x1.5 BLACK, NBR FLAT GASKET & SCREW                                 |
| 1210230718 | C182M6G21    | TYPE A 2P M16x1.5 GRAY, NBR PROFILE GASKET & SCREW                               |
| 1210230741 | C183M0N2G    | TYPE A 3P M20x1.5 BLACK, NO GASKET, & STANDARD SCREW                             |
| 1210230763 | C18311W2G    | TYPE A 3P PG11 BLACK V0, NO GASKET, & STANDARD SCREW                             |
| 1210230768 | C18213T22    | TYPE A 2P 1/2" NPTF TRANSPARENT, NBR FLAT GASKET & SCREW                         |
| 1210230780 | C18312N23    | TYPE A 3P 1/2" GAS BLACK, WHITE SILICONE PROFILE GASKET & SCREW                  |
| 1210230793 | C18309N2A    | TYPE A 3P PG9 BLACK, NBR PROFILE GASKET & SCREW +2mm                             |

| PART No.   | mPm PART No.  | DESCRIPTION  |
|------------|---------------|--|
| 1210230800 | C18209G2B     | TYPE A 2P PG9 GRAY, NBR FLAT GASKET, & SCREW +2mm  |
| 1210230803 | C182MON2A     | TYPE A 2P M20x1.5 BLACK, NBR PROFILE GASKET & SCREW +2mm                                     |
| 1210230807 | C18309N2R     | TYPE A 3P PG9 BLACK, INTEGRATED NBR GASKET & IP67 SCREW NOT ASSEMBLED                        |
| 1210230825 | C182M6N2P     | TYPE A 2P M16x1.5 BLACK, INTEGRATED NBR GASKET & IP67 SCREW ASSEMBLED                        |
| 1210230833 | C18211G2A     | TYPE A 2P PG11 GRAY, NBR PROFILE GASKET & SCREW +2mm   |
| 1210230841 | C182M0G21     | TYPE A 2P M20x1.5 GRAY, NBR PROFILE GASKET & SCREW   |
| 1210240268 | C18311N2G     | TYPE A 3P PG11 BLACK, NO GASKET, & STANDARD SCREW  |
| 1210240370 | C18211N2A     | TYPE A 2P PG11 BLACK, NBR PROFILE GASKET & SCREW +2mm  |
| 1210240940 | C18209N20     | TYPE A 2P PG9 BLACK, NO GASKET, NO SCREW   |
| 1210240133 | C18209N210H   | TYPE A 2P PG9 BLACK, NBR PROFILE GASKET, STAINLESS STEEL SCREW                               |
| 1210240154 | C18209N220H   | TYPE A 2P PG9 BLACK, NBR FLAT GASKET, STAINLESS STEEL SCREW                                  |
| 1210240378 | C18311N210H   | TYPE A 3P PG11 BLACK, NBR PROFILE GASKET, STAINLESS STEEL SCREW                              |
| 1210240139 | C18209N2114   | TYPE A 2P PG9 BLACK, NBR PROFILE GASKET & SCREW IN NEUTRAL BAG                               |
| 1210240156 | C18209N2214   | TYPE A 2P PG9 BLACK, NBR FLAT GASKET & SCREW IN NEUTRAL BAG                                  |
| 1210240224 | C18309N2114   | TYPE A 3P PG9 BLACK, NBR PROFILE GASKET & SCREW IN NEUTRAL BAG                               |
| 1210240755 | C18309N2R19   | TYPE A 3P PG9 BLACK, INTEGRATED NBR GASKET & IP67 SCREW NOT ASSEMBLED W/O PIN No. 3          |
| 1210240227 | C18309N211O   | TYPE A 3P PG9 BLACK, NBR PROFILE GASKET & SCREW, WITH SPECIAL GROMMET                        |
| 1210240185 | C18211G2123   | TYPE A 2P PG11 GRAY, NBR PROFILE GASKET & SCREW, FULLY MOUNTED                               |
| 1210240271 | C18311N614S   | TYPE A 3P PG11 BLACK, NBR PROFILE GASKET & SCREW, WITH SPECIAL GROMMET                       |
| 1210240265 | C18311N215A   | TYPE A 3P PG11 BLACK, NBR PROFILE GASKET & SCREW, SINGLE BAGGED, 500 IN A BOX                |
| 1210230350 | C18309N299V   | TYPE A 3P PG9 BLACK, NO GASKET, NO SCREW   |
| 1210240167 | C18209N299V   | TYPE A 2P PG9 BLACK, NO GASKET, NO SCREW   |
| 1210230232 | C18209G22AF   | TYPE A 2P PG9 GRAY, NBR FLAT GASKET WITH SCREW MOUNTED                                       |
| 1210230243 | C18209N22AF   | TYPE A 2P PG9 BLACK, NBR FLAT GASKET WITH SCREW MOUNTED                                      |
| 1210230274 | C18211G22AF   | TYPE A 2P PG11 GRAY, NBR FLAT GASKET WITH SCREW MOUNTED                                      |
| 1210230281 | C18211N22AF   | TYPE A 2P PG11 BLACK, NBR FLAT GASKET WITH SCREW MOUNTED                                     |
| 1210230648 | C18309N31AF   | TYPE A 3P PG9 BLACK, NBR PROFILE GASKET WITH SCREW MOUNTED                                   |
| 1210230678 | C183M0N31AF   | TYPE A 3P M20x1.5 BLACK, NBR PROFILE GASKET WITH SCREW MOUNTED                               |
| 1210230696 | C183M6N21AF   | TYPE A 3P M16x1.5 BLACK, NBR PROFILE GASKET WITH SCREW MOUNTED                               |
| 1210230801 | C183M6N22AF   | TYPE A 3P M16x1.5 BLACK, NBR FLAT GASKET WITH SCREW MOUNTED                                  |
| 1210230728 | C18209N21BS   | TYPE A 2P PG9 BLACK, NBR PROFILE GASKET & SCREW, FULLY UNMOUNTED                             |
| 1210230240 | C18209N21P7   | TYPE A 2P PG9 BLACK, NBR PROFILE GASKET & SCREW, IP67 COMPLIANT                              |
| 1210230272 | C18211G21P7   | TYPE A 2P PG11 GRAY, NBR PROFILE GASKET IP67 COMPLIANT                                       |
| 1210230279 | C18211N21P7   | TYPE A 2P PG11 BLACK, NBR PROFILE GASKET & SCREW, IP67 COMPLIANT                             |
| 1210230725 | C18309N21P7   | TYPE A 3P PG9 BLACK, NBR PROFILE GASKET & SCREW, IP67 COMPLIANT                              |
| 1210230731 | C18312N21P7   | TYPE A 3P 1/2" GAS BLACK, NBR PROFILE GASKET & SCREW IP67 COMPLIANT                          |
| 1210230732 | C18209G21P7   | TYPE A 2P PG9 GRAY, NBR PROFILE GASKET & SCREW IP67 COMPLIANT                                |
| 1210230843 | C183M6N21P7   | TYPE A 3P M16x1.5 BLACK, NBR PROFILE GASKET & SCREW IP67 COMPLIANT                           |
| 1210230849 | C18309N2I     | TYPE A 3P PG9 BLACK, BULK PACK FULLY MOUNTED, NO GASKET                                      |
| 1210230739 | C18311W21SA   | TYPE A 3P PG11 BLACK V0, NBR PROFILE GASKET & SCREW, UL LISTED                               |
| 1210230851 | C182M6W21SA   | TYPE A 2P M16x1.5 BLACK V0, NBR PROFILE GASKET UL LISTED                                     |
| 1210230853 | C18311N21P7   | TYPE A 3P PG11 BLACK, NBR PROFILE GASKET & SCREW, IP67 COMPLIANT                             |
| 1210230854 | C18309W2PSA14 | TYPE A 3P PG9 BLACK V0, NBR PROFILE GASKET & SCREW, UL LISTED, IP67 COMPLIANT, SINGLE BAGGED |
| 1210230855 | C183M0W31AFSA | TYPE A 3P M20x1.5 BLACK V0, NBR PROFILE GASKET WITH SCREW MOUNTED, UL LISTED                 |
| 1210230657 | C18309W21SA   | TYPE A 3P PG9 BLACK V0, NBR PROFILE GASKET & SCREW, UL LISTED                                |
| 1210230809 | C18211W21SA   | TYPE A 2P PG11 BLACK V0, NBR PROFILE GASKET & SCREW, UL LISTED                               |
| 1210230861 | C18211W23SA   | TYPE A 2P PG11 BLACK V0, WHITE SILICONE PROFILE GASKET & SCREW, UL LISTED                    |
| 1210230344 | C18309N22     | TYPE A 3P PG9 BLACK PA6, H12, NBR FLAT GASKET & SCREW  |
| 1210230862 | C18313T22     | TYPE A 3P 1/2" NPTF TRANSPARENT, NBR FLAT GASKET & SCREW                                     |
| 1210230870 | C18309G21SA   | TYPE A 3P PG9 GRAY, NBR PROFILE GASKET & SCREW, UL LISTED                                    |
| 1210230674 | C18209W21SA   | TYPE A 2P PG9 BLACK, NBR PROFILE GASKET & SCREW, UL LISTED                                   |

PRE-RELEASE  
REFERENCE  
USE ONLY

|   |       |       |  |  |  |                |  |                 |  |
|---|-------|-------|--|--|--|----------------|--|-----------------|--|
| THIS DRAWING CONTAINS INFORMATION THAT IS PROPRIETARY TO MOLEX ELECTRONIC TECHNOLOGIES, LLC AND SHOULD NOT BE USED WITHOUT WRITTEN PERMISSION |       |       |  |  |  |                |  |                 |  |
| DIMENSION UNITS   |       | SCALE |  | CURRENT REV DESC: REMOVED OBSOLETE PART NUMBER AS PER PCN#509989.  |  |                |  |                 |  |
| mm  |       | 2:1   |  |  <p>C18 SERIES<br/>INTERNAL THREAD</p> <p>PRODUCT CUSTOMER DRAWING</p> <p>DOCUMENT NUMBER: SD-121023-001   DOC TYPE: PSD   DOC PART: 001   REVISION: P1</p> |  |                |  |                 |  |
| GENERAL TOLERANCES (UNLESS SPECIFIED)   |       |       |  |  |  |                |  |                 |  |
|   | MM    | INCH  |  |  |  |                |  |                 |  |
| 4 PLACES  | ±     |       |  |  |  |                |  |                 |  |
| 3 PLACES  | ±     |       |  |  |  |                |  |                 |  |
| 2 PLACES  | ± 0.1 |       |  |  |  |                |  |                 |  |
| 1 PLACE   | ± 0.2 |       |  |  |  |                |  |                 |  |
| 0 PLACES  | ±     |       |  |  |  |                |  |                 |  |
| ANGULAR TOL ± °   |       |       |  | EC NO: 708673  |  | DRWN: SANTHN   |  | 2022/05/12      |  |
| DRAFT WHERE APPLICABLE MUST REMAIN WITHIN DIMENSIONS  |       |       |  | THIRD ANGLE PROJECTION   |  | DRAWING        |  | SERIES          |  |
|   |       |       |  | A2-SIZE  |  | 121023         |  | MATERIAL NUMBER |  |
|   |       |       |  | SEE TABLE  |  | GENERAL MARKET |  | SHEET NUMBER    |  |
|   |       |       |  |  |  |                |  | 2 OF 2          |  |

|                 |    |              |            |          |
|-----------------|----|--------------|------------|----------|
| DOCUMENT STATUS | P1 | RELEASE DATE | 2022/06/22 | 14:10:18 |
|-----------------|----|--------------|------------|----------|