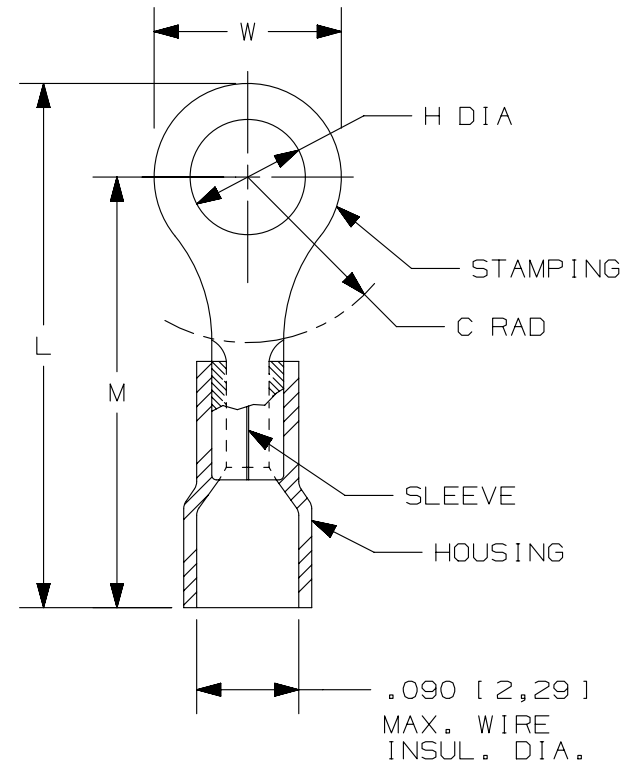


THIS COPY IS PROVIDED ON A RESTRICTED BASIS AND IS NOT TO BE USED IN ANY WAY DETRIMENTAL TO THE INTERESTS OF PANDUIT CORP.

PANDUIT PART #	STUD SIZE	DIMENSIONS in. [mm]				
		L ± .03 [0,8]	W ± .01 [0,3]	C ± .015 [0,4]	M ± .03 [0,8]	H ± .01 [0,3]
PN22-2R	#2	.69 [17,5]	.20 [5,1]	.18 [4,6]	.59 [15,0]	.10 [2,5]
PN22-4R	#4	.69 [17,5]	.20 [5,1]	.18 [4,6]	.59 [15,0]	.13 [3,3]
PN22-6R	#6	.69 [17,5]	.20 [5,1]	.18 [4,6]	.59 [15,0]	.15 [3,8]
PN22-8R	#8	.78 [19,8]	.26 [6,6]	.26 [6,6]	.65 [16,5]	.17 [4,3]
PN22-10R	#10	.78 [19,8]	.31 [7,9]	.24 [6,1]	.62 [15,8]	.21 [5,3]



NOTES:

- USED FOR:
  - A. SOLID OR STRANDED COPPER WIRE
  - B. 221°F [105°C] MAX. OPERATING TEMPERATURE
  - C. 300 V. MAX. VOLTAGE RATING
- INSTALLATION TOOLS: CT-520, CT-1525
- WIRE STRIP LENGTH: 3/16" <sup>+1/32</sup> [4,8<sup>+0,8</sup>]
- MATERIAL:
  - A. STAMPING: .02" [0,5] THK COPPER, TIN PLATED
  - B. HOUSING: NYLON, YELLOW
  - C. SLEEVE: BRASS, TIN PLATED
- SEE [www.panduit.com](http://www.panduit.com) FOR PACKAGE QUANTITIES INDICATED BY PART NUMBER SUFFIX
- DIMENSIONS IN BRACKETS ARE METRIC EQUIVALENT

REV	DATE	BY	CHK	APR	DESCRIPTION	ECN
07	04-24-13	JBN	RTFI	RTFI	UPDATED DRAWING BORDER & TITLE BLOCK	A41233

TITLE		RING TERMINALS, NYLON INSULATED #26-22	
ITEM REVISION NAME		CUSTOMER DRAWING	
DATASET FILE NAME		N41233BA/07	
DATASET FILE NAME		N41233BA_DC/07A	
UNLESS OTHERWISE SPECIFIED, DIMENSIONAL TOLERANCES ARE: IN [mm]		MATERIAL:	
.x ± .1 [2.54]      .xxx ± .005 [.13]		SEE NOTES	
.xx ± .01 [.25]      ANGLES ± 5°		DRAWING NUMBER:	
		A41233	
DRAWN BY	DATE	CHK	SCALE
DAW	-	RLS	N.T.S.
SHT 1 OF 1		A	

D101000DA/15