

MATERIALS AND FINISHES:

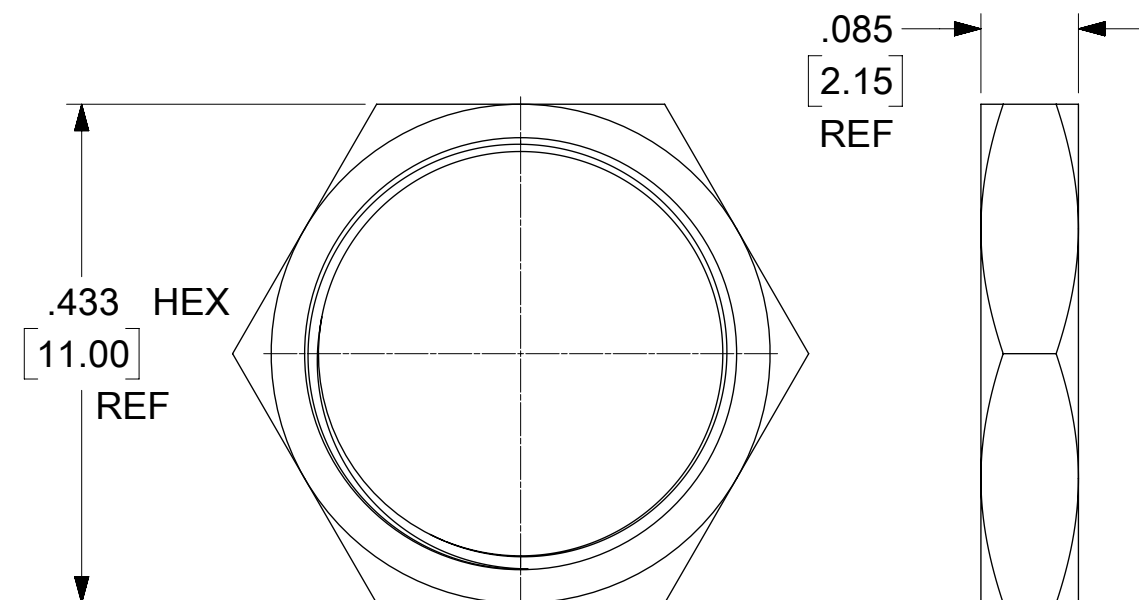
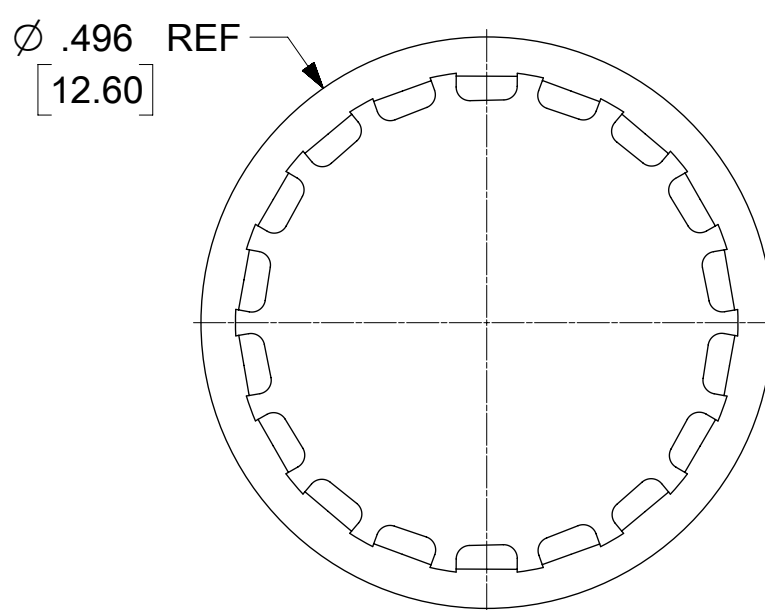
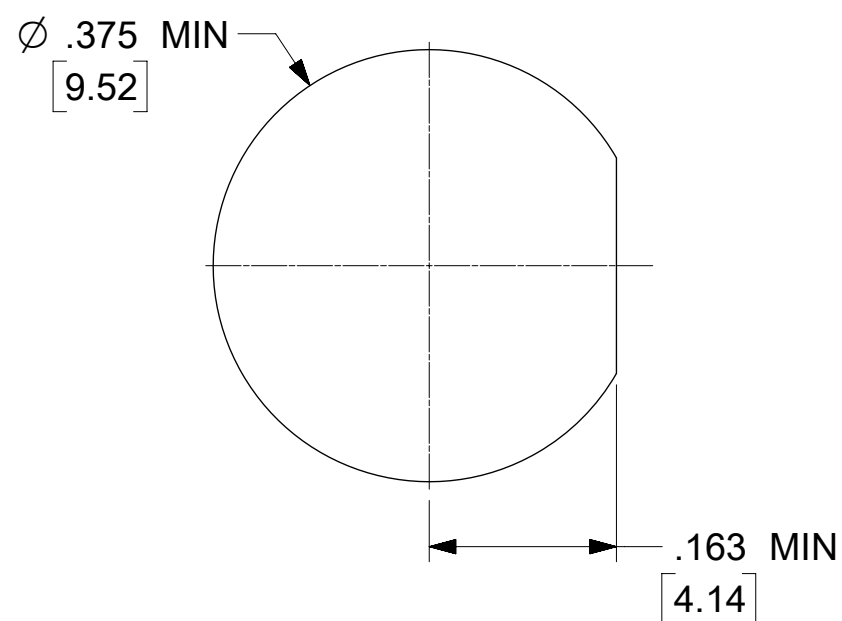
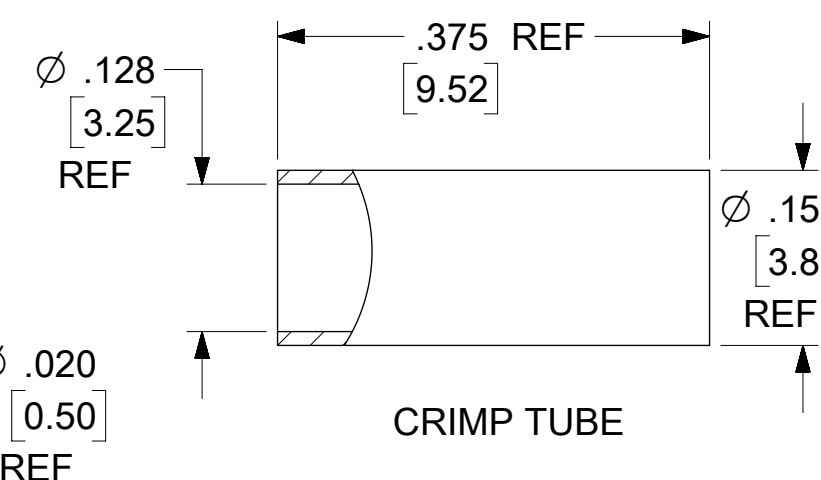
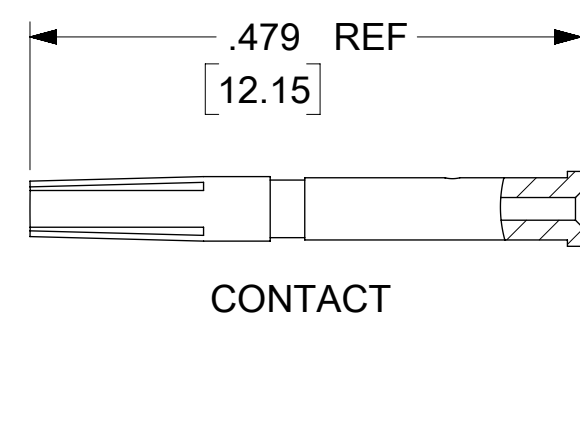
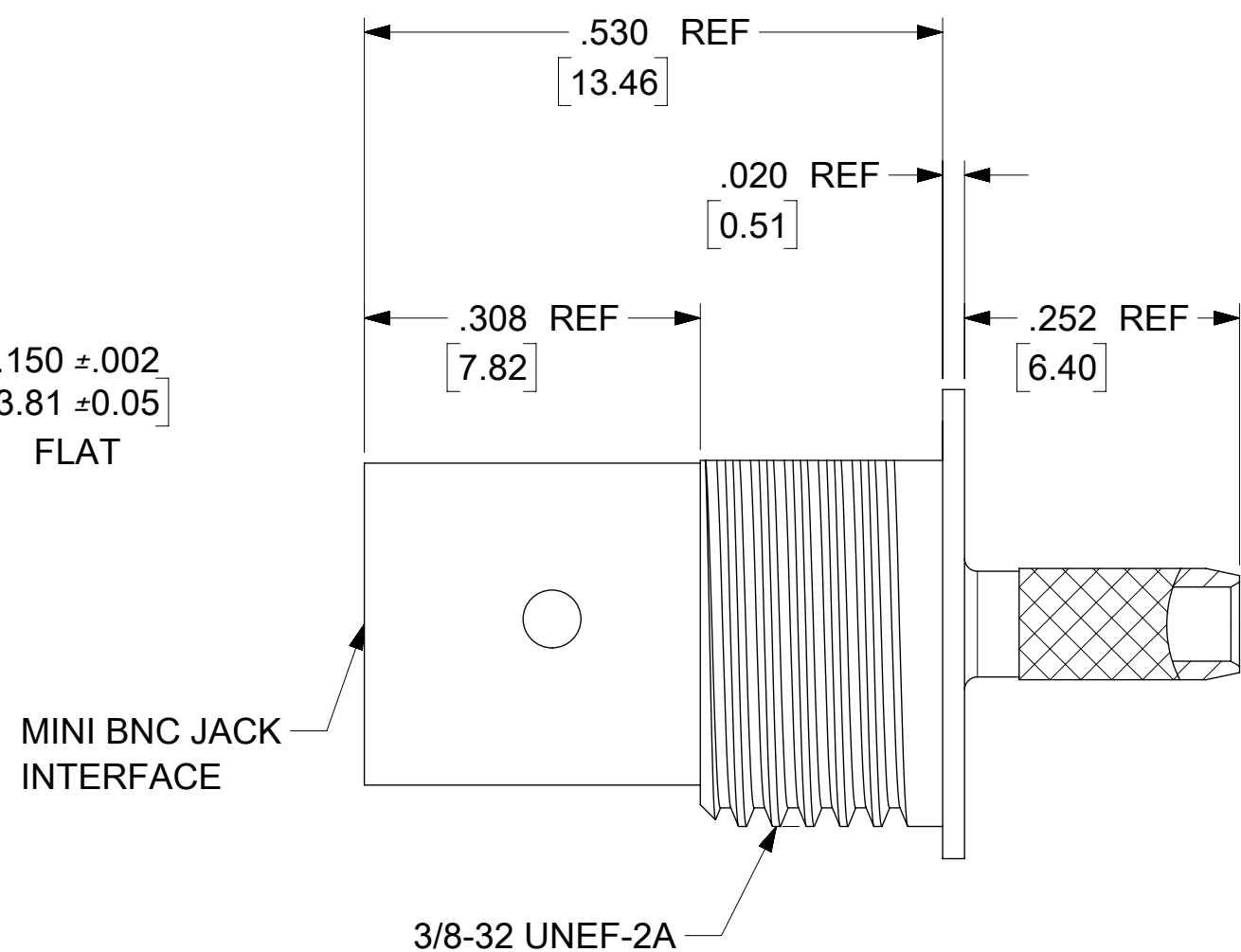
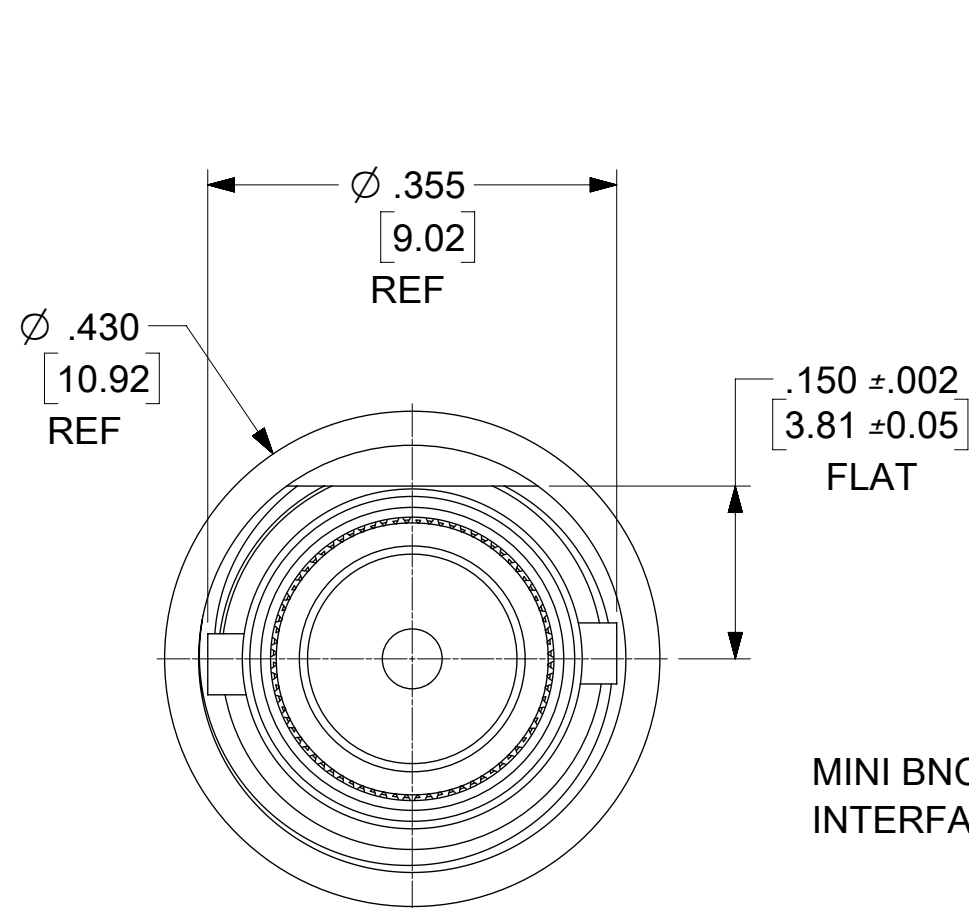
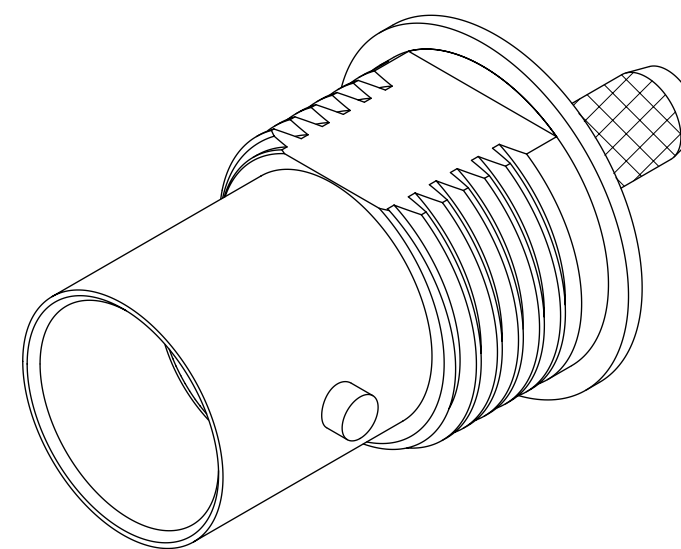
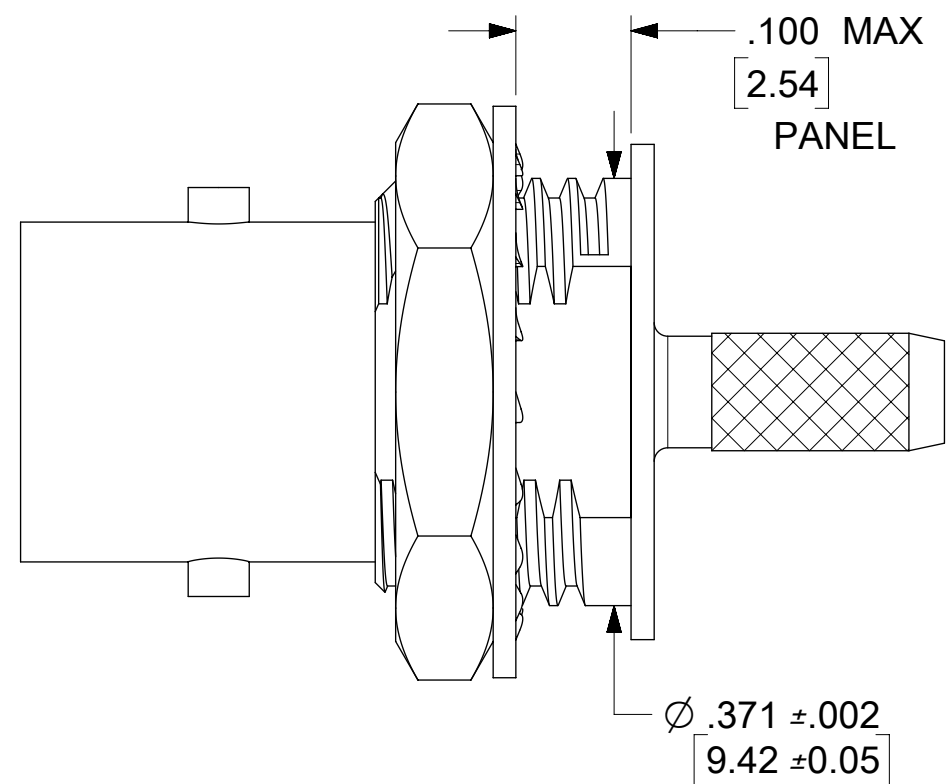
BODY, CRIMP TUBE & PRESS RING : BRASS  
 PLATED: NICKEL(100μ-in MIN)

CENTER CONTACT: PHOSPHOR BRONZE  
 PLATED: GOLD(30μ-in MIN)  
 OVER NICKEL(100μ-in MIN)

INSULATOR: PTFE

JAM NUT: BRASS  
 PLATED: NICKEL(70μ-in MIN)

LOCKWASHER: PHOSPHOR BRONZE  
 PLATED: NICKEL(70μ-in MIN)

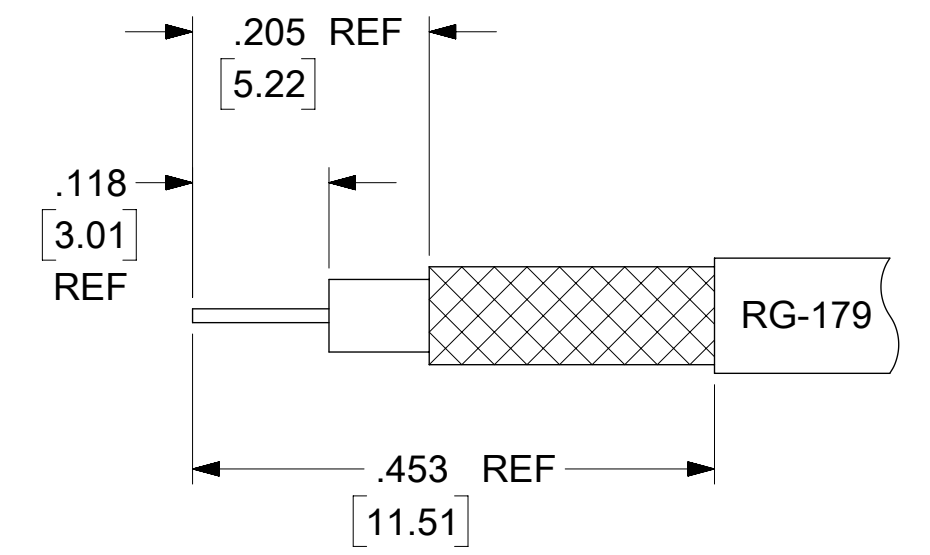
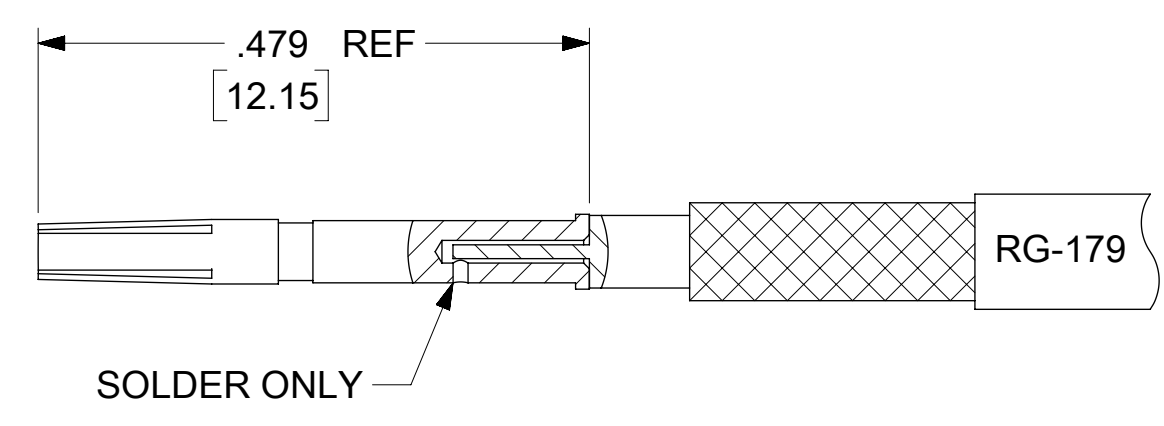
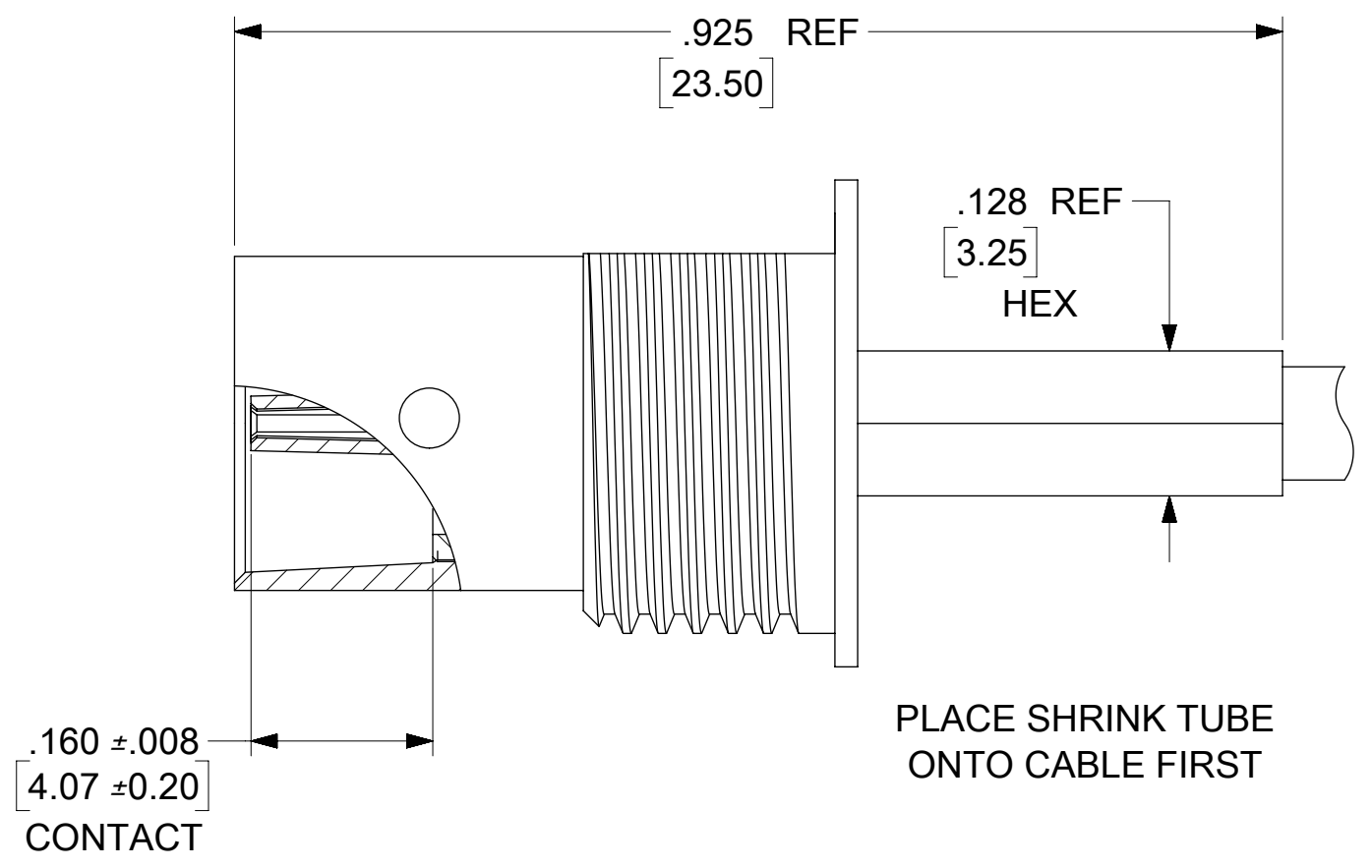


RECOMMENDED  
 PANEL CUTOUT

SYMBOLS				THIS DRAWING CONTAINS INFORMATION THAT IS PROPRIETARY TO MOLEX ELECTRONIC TECHNOLOGIES, LLC AND SHOULD NOT BE USED WITHOUT WRITTEN PERMISSION			
DIMENSION UNITS		SCALE		CURRENT REV DESC: SEE ECM			
= 0		INCH		EC NO: 175335 DRWN: APRAKASH01 2018/04/19 CHK'D: APRAKASH01 2018/04/24 APPR: AROBERTSON 2018/04/24 INITIAL REVISION: DRWN: JMASTRIANO 2005/05/24 APPR: JWIENER 2005/05/24			
GENERAL TOLERANCES (UNLESS SPECIFIED)							
= 0		MM	INCH				
= 0		4 PLACES ±	±				
= 0		3 PLACES ±	± 0.01				
= 0		2 PLACES ±	± 0.25 ±				
= 0		1 PLACE ±	±				
= 0		0 PLACES ±	±				
= 0		ANGULAR TOL ± 2.0°		DRWN: JMASTRIANO 2005/05/24 APPR: JWIENER 2005/05/24			
DRAFT WHERE APPLICABLE MUST REMAIN WITHIN DIMENSIONS				THIRD ANGLE PROJECTION		DRAWING C-SIZE	
= 0				SERIES 73171		DOCUMENT NUMBER	
= 0						SD-73171-263	
				MATERIAL NUMBER		CUSTOMER	
				SEE TABLE		PSD 001 B1	
						SHEET NUMBER	
						1 OF 2	

73171-2632	INCLUDED	INCLUDED	73171-2631, ONE PER BAG
73171-2631	INCLUDED	INCLUDED	TRAY
73171-2630	NOT INCLUDED	NOT INCLUDED	TRAY
PART NO.	JAM NUT	LOCK WASHER	PACKAGING
HARDWARE COMPONENTS			

DOCUMENT STATUS	P1	RELEASE DATE	2018/04/24 15:16:06
-----------------	----	--------------	---------------------



RECOMMENDED CABLE  
STRIP DIMENSIONS

SYMBOLS	THIS DRAWING CONTAINS INFORMATION THAT IS PROPRIETARY TO MOLEX ELECTRONIC TECHNOLOGIES, LLC AND SHOULD NOT BE USED WITHOUT WRITTEN PERMISSION				
	DIMENSION UNITS	SCALE	CURRENT REV DESC: SEE ECM		
▽ = 0	INCH		<b>molex</b> MINI BNC JACK, BULKHEAD RG179, 75 OHMS, MINI BNC-JC, EWR-11570		
▽ = 0	GENERAL TOLERANCES (UNLESS SPECIFIED)				
▽ = 0		MM			INCH
▽ = 0	4 PLACES ±				
▽ = 0	3 PLACES ±				± 0.01
▽ = 0	2 PLACES ±	0.25			±
▽ = 0	1 PLACE ±		±		
▽ = 0	0 PLACES ±		±		
▽ = 0	ANGULAR TOL	± 2.0°			
▽ = 0	DRAFT WHERE APPLICABLE MUST REMAIN WITHIN DIMENSIONS	THIRD ANGLE PROJECTION	DRAWING	SERIES	
			C-SIZE	73171	
DOCUMENT STATUS		DOC TYPE	DOC PART	REVISION	
P1	RELEASE DATE	PSD	001	B1	
2018/04/24	15:16:06	SEE TABLE		2 OF 2	