

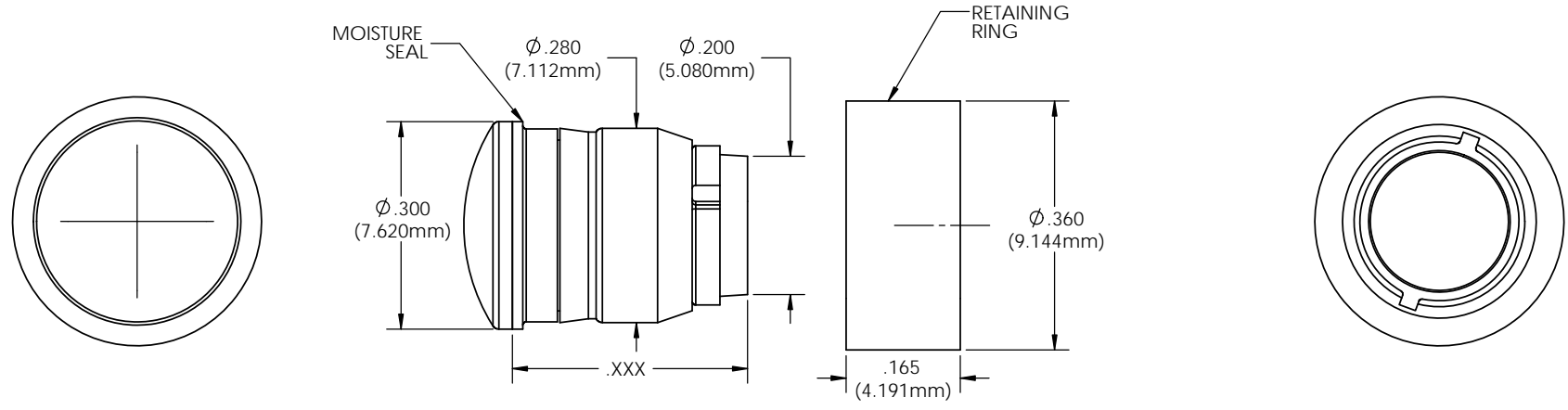
8 7 6 5 4 3 2 1

**NOTES:**

1. MOUNTING: Mounts in a  $\varnothing 281 \pm .002$  (7.14mm  $\pm 0.051$ ) panel hole on .375 (9.53mm) centers. Panel thickness .031 (.8mm) to .125 (3.18mm). Panel hole shall be deburred, but not chamfered.
2. ASSEMBLY: Insert Litepipe through the panel hole and press on retaining ring to secure unit to panel. Slide PCB into position aligning LED with the end of the Litepipe unit.
3. MATERIAL: Litepipe - Acrylic (Clear optical grade) UL 94-HB  
 Lens - Polycarbonate UL 94-V2  
 Seal - TPE  
 Retaining Ring - Polypropylene (Black)
4. Meets NEMA 4/IP 56 standards
5. U.S. & Foreign Pat. Issued



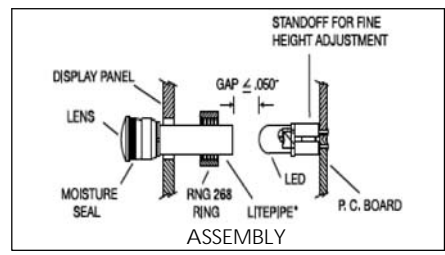
REVISIONS					
ECN #	REV.	DESCRIPTION	DATE	INITIALS	CHK'D
	001	REVISED PER ECR 111009AZ01	8/18/10	KH	DPZ
	002	MODIFIED GENERAL TOLERANCE .XX	11/14/11	RL	AZ



ORDERING CODE: **LMS XXX XXX**

LITEPIPE		LENS	
XXX =	LENGTH	XXX =	COLOR
033	.330"	RTP	RED TRANSPARENT
053	.530"	ATP	AMBER TRANSPARENT
073	.730"	GTP	GREEN TRANSPARENT
093	0.93"	BTP	BLUE TRANSPARENT
113	1.13"	YTP	YELLOW TRANSPARENT
133	1.33"	CTP	CLEAR TRANSPARENT
		GLO	WHITE TRANSLUCENT

CUSTOM LENGTHS AVAILABLE UPON REQUEST



DIMENSION STYLE: INCHES / MM GENERAL TOLERANCES UNLESS OTHERWISE SPECIFIED		APPROVAL		DATE
X	± .020	DRAWN	K HOWARD	8/18/10
XX	± .015	CHECKED	DPZ	8/19/10
XXX	± .005			
ANGLE 1				
BROKE ALL CORNERS AND SHARP EDGES 90° MAX				
THIRD ANGLE PROJECTION		MATERIAL		
SEE NOTES		SEE NOTES		
FINISH		DO NOT SCALE DRAWING		

**VGG OPTOELECTRONICS**  
 190 BOSSTICK BLVD. SUITE 101 SAN MARCOS, CA 92069 U.S.A.  
 PHONE: (760) 560-1300, FAX: (760) 560-1301 EMAIL: vccsales@vccsite.com

**TITLE:**  
**5MM MOISTURE SEALED LITEPIPE**

SIZE DWG. NO. REV  
**B** LMS XXX XXX **002**

SCALE: 6:1 SHEET 1 OF 1

8 7 6 5 4 3 2 1