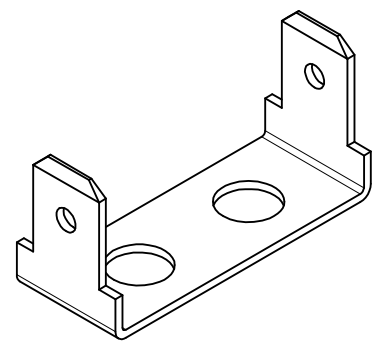
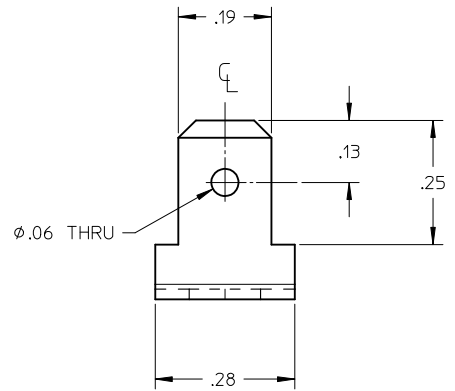
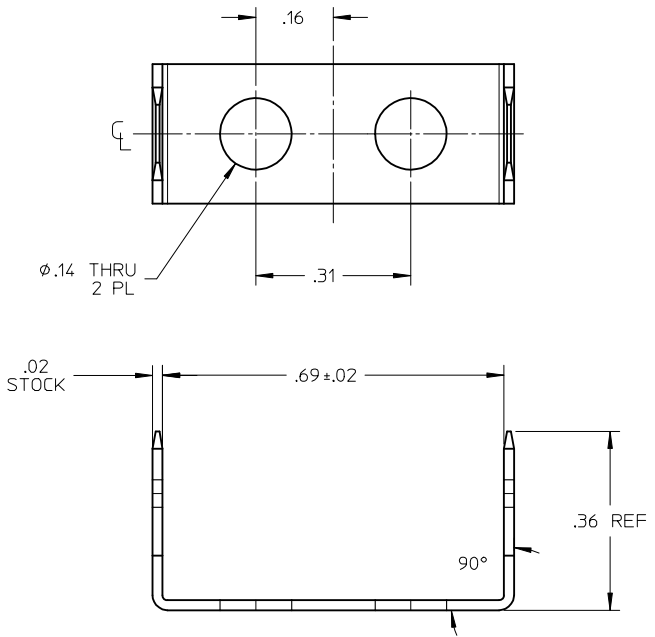


10	9	8	7	6	5	4	3	2	1
MATERIAL NO.	ENGINEERING NO.	DESCRIPTION	MATERIAL	FINISH					
380020169	1412	TERMINAL, FT VRVR	BRASS	TIN OVER COPPER PLATED					



RELEASED EC NO: IPG2016-0008 DRAWN: SVMURTHY 2015/07/01 CHKD: RSTONE 2015/07/01 APPR: JFMURPHY 2016/07/11	DESCRIPTION A	QUALITY SYMBOLS	GENERAL TOLERANCES (UNLESS SPECIFIED)	DIMENSION STYLE	SCALE	DESIGN UNITS	THIRD ANGLE PROJECTION																		
		$\nabla = 0$ $\nabla = 0$ $\nabla = 0$	<table border="1"> <thead> <tr> <th></th> <th>mm</th> <th>INCH</th> </tr> </thead> <tbody> <tr> <td>4 PLACES</td> <td>± ---</td> <td>± ---</td> </tr> <tr> <td>3 PLACES</td> <td>± ---</td> <td>± .005</td> </tr> <tr> <td>2 PLACES</td> <td>± 0.13</td> <td>± .01</td> </tr> <tr> <td>1 PLACE</td> <td>± 0.3</td> <td>± ---</td> </tr> <tr> <td>0 PLACE</td> <td>± ---</td> <td>± ---</td> </tr> </tbody> </table>		mm	INCH	4 PLACES	± ---	± ---	3 PLACES	± ---	± .005	2 PLACES	± 0.13	± .01	1 PLACE	± 0.3	± ---	0 PLACE	± ---	± ---	INCH ONLY	4:1	INCH	
			mm	INCH																					
		4 PLACES	± ---	± ---																					
3 PLACES	± ---	± .005																							
2 PLACES	± 0.13	± .01																							
1 PLACE	± 0.3	± ---																							
0 PLACE	± ---	± ---																							
	ANGULAR ± 2 ° DRAFT WHERE APPLICABLE MUST REMAIN WITHIN DIMENSIONS	DRAWN BY SVMURTHY CHECKED BY RSTONE APPROVED BY JFMURPHY	DATE 2015/07/01 DATE 2015/07/01 DATE 2016/07/11	TITLE TERMINAL, FT VRVR		MATERIAL NO. SEE CHART	DOCUMENT NO. SD-38002-0169	SHEET NO. 1 OF 1																	
				SIZE B	THIS DRAWING CONTAINS INFORMATION THAT IS PROPRIETARY TO MOLEX INCORPORATED AND SHOULD NOT BE USED WITHOUT WRITTEN PERMISSION																				