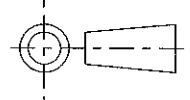


ISS.	DATE	E.C.N.	DESCRIPTION
2	31-Oct-06		EJECTOR PIN CUT OUTS ENLARGED
3	30-Oct-07		PART 10202 REMOVED
3A	26-Jan-11	10/09/1254	DIM. TOLLERANCES CHANGED + NOTE ADDED

© 2010 CTP-COIL
ALL DIMENSIONS IN mm



CUSTOMER DRAWING



CARCLO TECHNICAL PLASTICS (SLOUGH)
111 BUCKINGHAM AVE, SLOUGH
SL1 4PF, ENGLAND

TEL: +44 1753 575011 FAX: +44 1753 811359
e-mail: design@carclo-optics.com

GENERAL TOLERANCES (UNLESS STATED)

LINEAR	ANGULAR
X +/- 0.25	X +/- 1°
X.X +/- 0.1	X.X +/- 0.5°
X.XX +/- 0.05	X.XX +/- 0.1°

CUSTOMER

CARCLO

TITLE

1.4MM OFFSET FOCUS
20 MM DIA OPTIC

DRAWN

AJD

DATE

17-Aug-06

CHK'D

DATE

APP'D

DATE

SCALE

2:1

CARCLO PART No.

SEE TABLE

SIZE

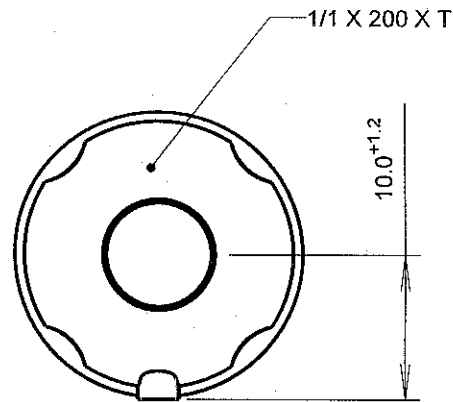
A4

CARCLO DRG. No.

60434

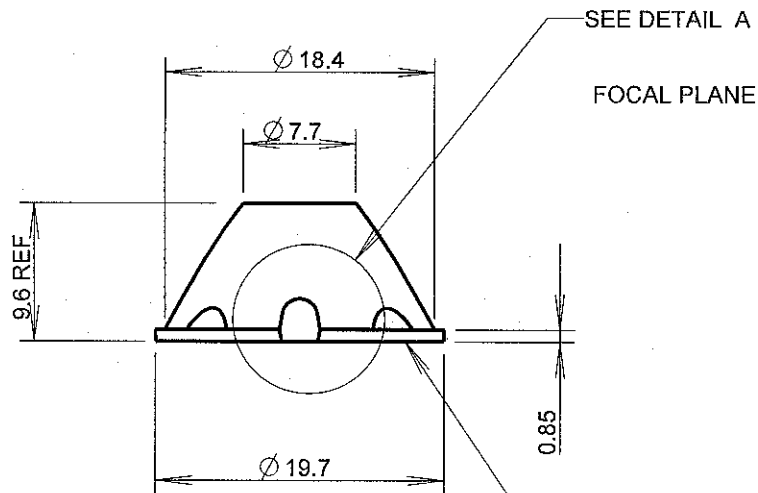
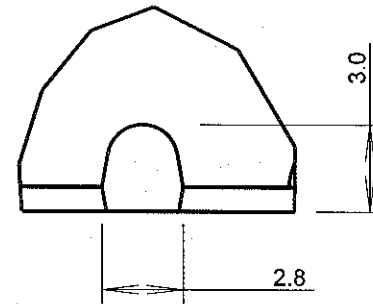
SHEET

2 OF 2



3D VIEW
SCALE 1:1

DETAIL A
SCALE 4:1



- NOTES:
1. MATERIAL - UV STABILISED POLYCARBONATE
2. INCLUSIONS SPECIFIED TO BS4301

DESCRIPTION	PART NO.
PLAIN (NO FROSTING)	10199
SOFT NARROW BEAM	10200
SOFT MEDIUM BEAM	10201