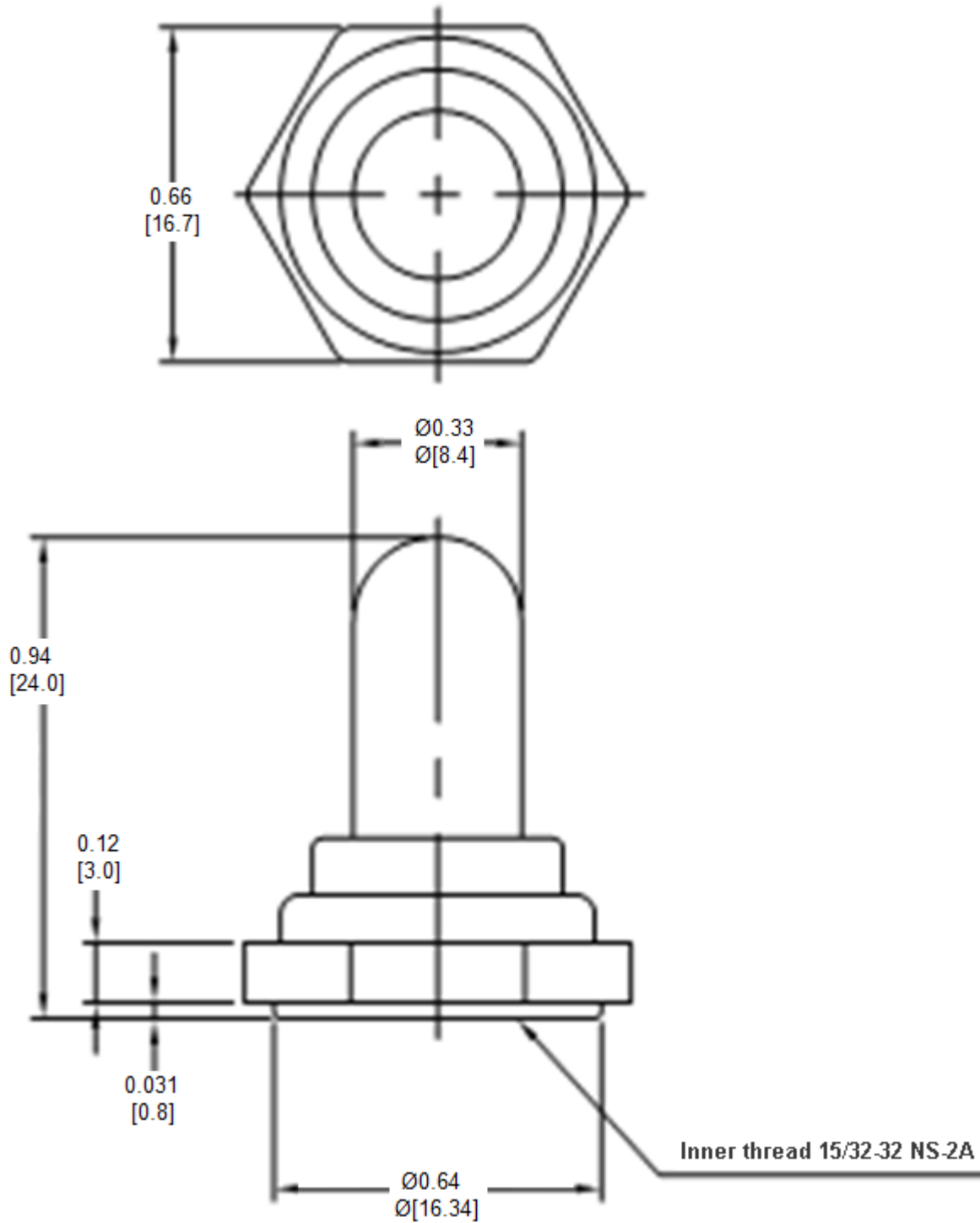


## Mechanical Dimensions: Inches [mm]

Tolerances  $\pm 0.012$  [0.3] Unless Otherwise Specified

## Specifications

Material	Rubber/Silicon
Nut	15/32-32 NS-2A
For Toggle Switch Lever Height	20mm

Rev	Date of issue	Revision Notes	Designed	Approved
A	10-09-19	Initial Drawing	RC	OF