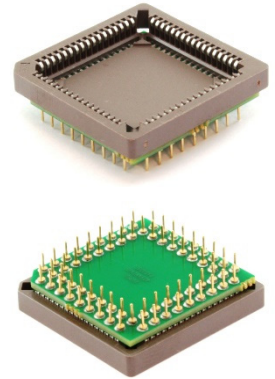
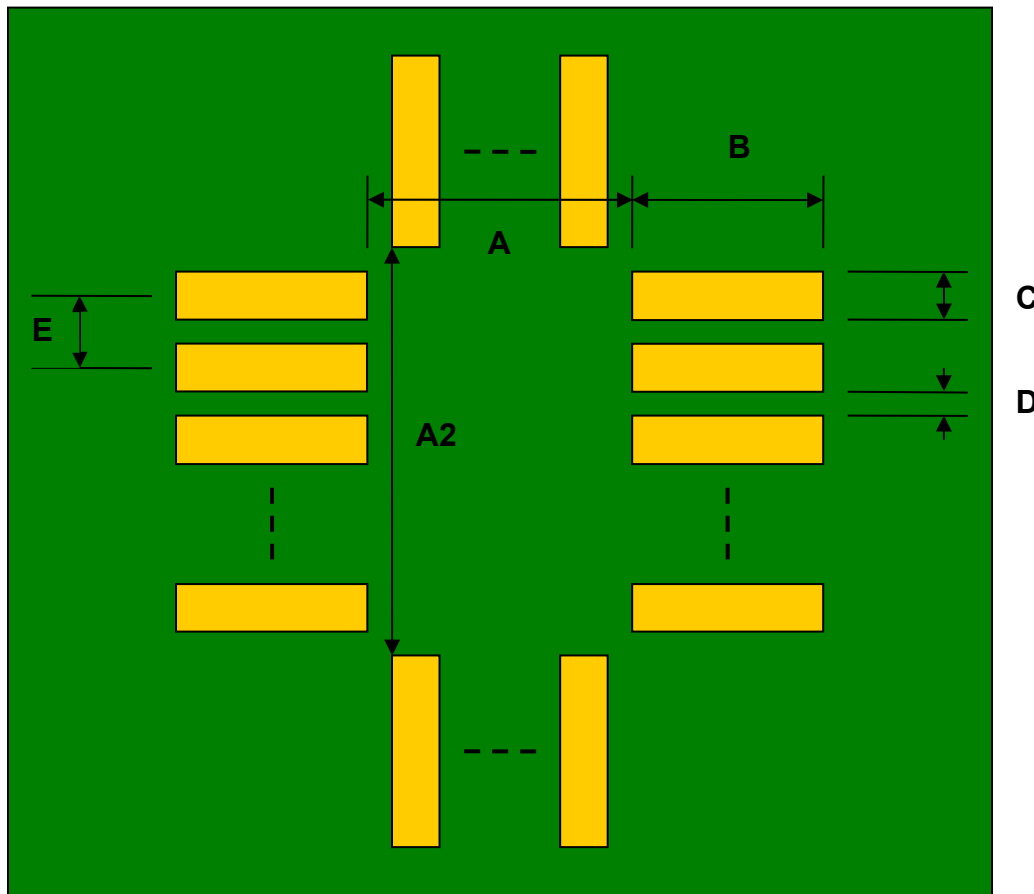


PLCC-68/JLCC-68/LCC-68 (Pin 1 In) Socket Compact Series to PGA-68 SMT Adapter (1.27 mm pitch, 25 x 25 mm body)

| DIMENSIONS | | | | | | |
|------------|------|-------|------|--------|------|------|
| REF. | mm | | | inches | | |
| | MIN. | TYP. | MAX. | MIN. | TYP. | MAX. |
| A | | 21.75 | | | | |
| A2 | | 21.75 | | | | |
| B | | 2.75 | | | | |
| C | | 0.80 | | | | |
| D | | 0.47 | | | | |
| E | | 1.27 | | | | |
| F | | | | | 0.1 | |
| G | | | | | 0.1 | |
| H | | 0.46 | | | | |
| X | | | | | 1.1 | |
| Y | | | | | 1.1 | |

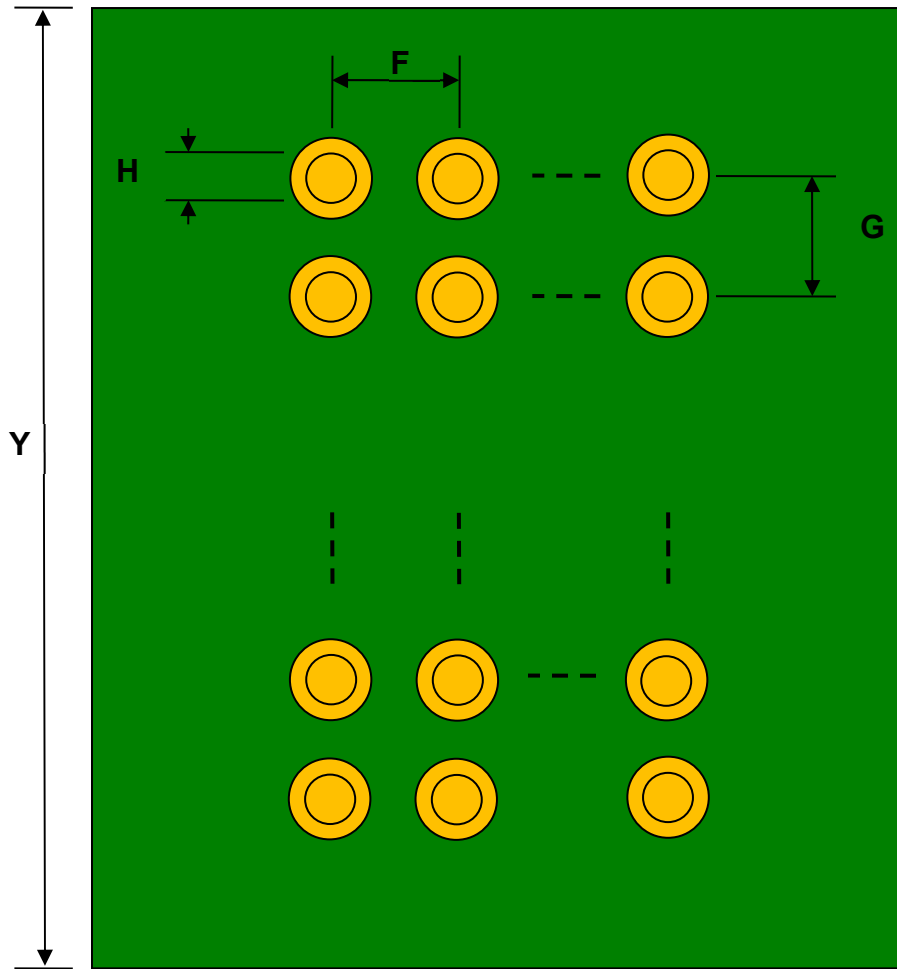


Top View (SMT Footprint)



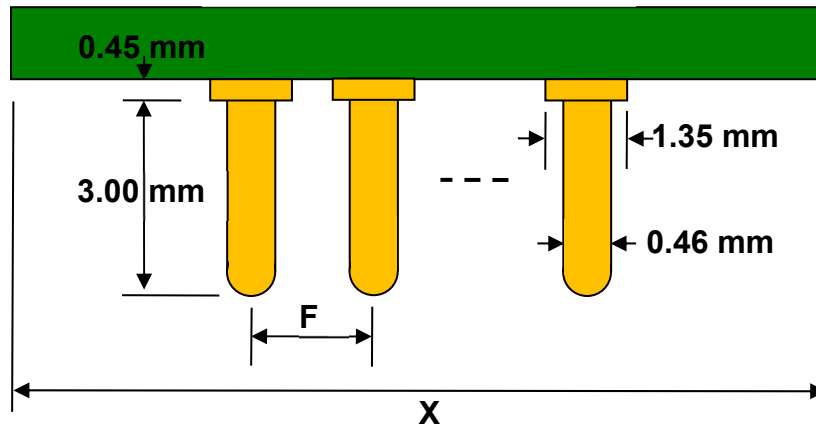
(Representative drawing only - not to scale)

Bottom View (PGA Pins)



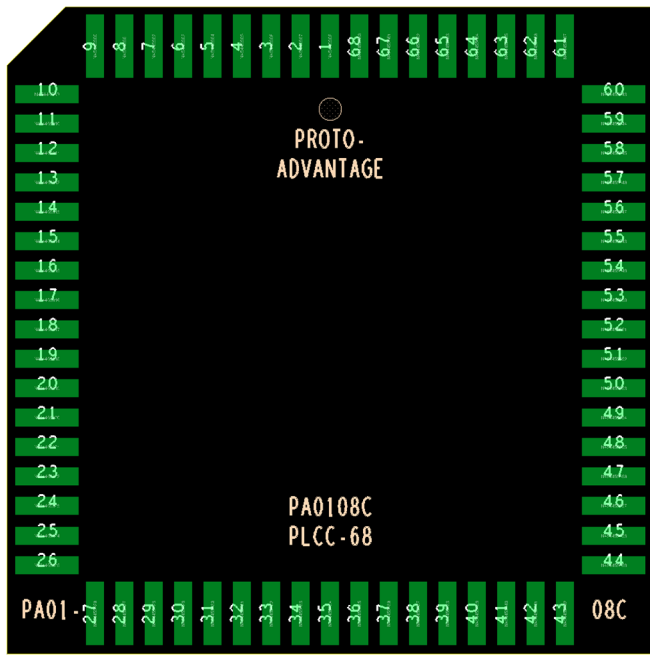
(Representative drawing only - not to scale)

Side View (PGA Pins)



(Representative drawing only - not to scale)

Adapter Pin Out (Top Side)



Adapter Pin Out (Bottom Side) (X-Ray View)

