

DAS Above-Ceiling PIM Blocker

Eliminates effect of PIM Sources

Part# DASACABSORBER

Features

- Reduces PIM By up to 40 dB
- Ideal for above-ceiling conditions
- Plenum Rated
 - Non-flammable, non-smoke.
- Multiple installation methods.
 - Velcro
 - Lugs for strap attachment (Straps sold separately)
 - Use DASACHOLDER Holder accessory.

Applications

- The PIM Blocker absorber bag can reduce PIM when placed between antennas and surrounding structure.
- The PIM Blocker absorber bag also can help minimize RF radiation above ceilings where signals can interfere with the floor above and can reduce overall DAS performance.



Confidential and Proprietary – Pulse Electronics – All Rights reserved – 2015

This document contains confidential and proprietary information of Pulse Electronics, Inc. (Pulse) and is protected by copyright, trade secret and other state and federal laws. Its receipt or possession does not convey any rights to reproduce, disclose its content, or to manufacture, use or sell anything it may describe. Reproduction, disclosure or use without specific written authorization of Pulse is strictly forbidden. Information subject to change without notice.

For More Information

Pulse Worldwide Headquarters

12220 World Trade Drive
San Diego, CA 92128
USA

Tel: 1- 858-674-8100
Fax: 1-858-674-8262

Larsen Brand Antennas

3611 NE 112th Ave
Vancouver, WA 98682
USA

Tel: 1-360-944-7551
Fax: 1-360-944-7556

Europe Headquarters

Pulse GmbH & Do, KG
Zeppelinstrasse 15
Herrenberg, Germany

Tel: 49 7032 7806 0
Fax: 49 7032 7806 135

Pulse (Suzhou) Wireless Products Co, Inc.

99 Huo Ju Road(#29 Bldg, 4th Phase
Suzhou New District
Science & Tech Industrial Park
Jiangsu Province, Suzhou 215009 PR China

Tel: 86 512 6807 9998
Fax: 86 512 6809 8023



Performance warranty of products offered in this data sheet is limited to the parameters specified. Other brand and product names mentioned herein may be trademarks or registered trademarks of their respective owners.
©Copyright, 2015. Pulse Electronics, Inc. All rights Reserved.

DAS Above-Ceiling PIM Blocker

Eliminates effect of PIM Sources

Part# DASACABSORBER

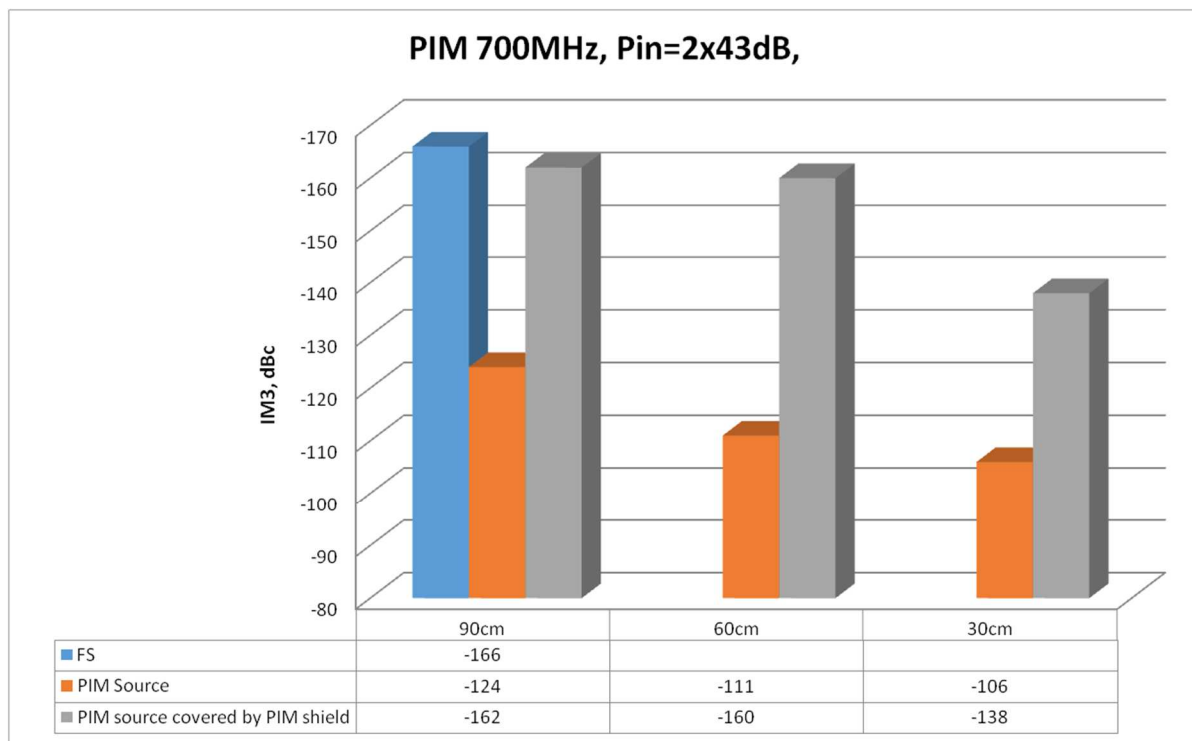
Performance Measurement

PIM-Blocking Application: The following charts indicate typical PIM reduction when the PIM BLOCKER is used in a real world application. The blue bar indicates an installation using a Pulse PIMinator[®] series antenna with -166 dBc PIM when used in a free space environment. The orange bar indicates the same environment but with a PIM source introduced at a distance of 90 mm above the antenna. For this example the source was a simple metal sheet with some steel wool. You can see that when the PIM source was introduced, the antenna system PIM was degraded to an unacceptable -124 dBc .

However, as indicated with the gray bar, with the inclusion of the PIM Blocker absorber into the system between the antenna and source, the PIM level is improved back to a reasonable -162 dBc. Thus creating an acceptable wireless network environment.

The graph also indicates expected improvement levels when the PIM source is 60 and 30 mm away from the antenna.

Performance varies by both distance and frequency as well as power level.



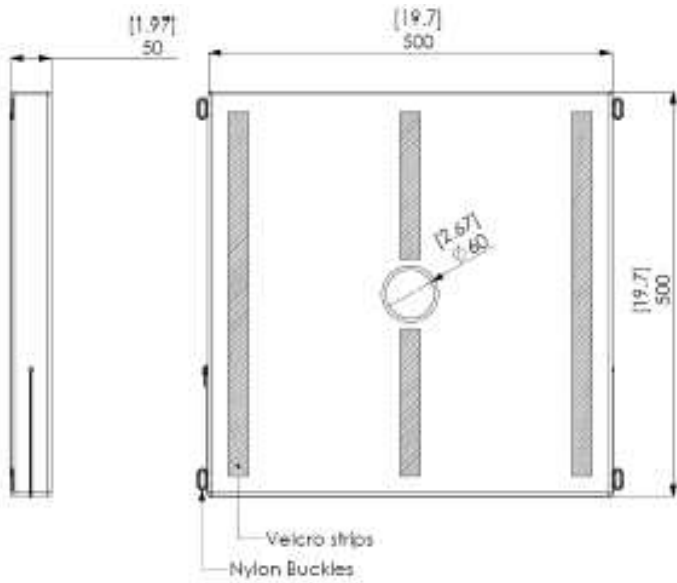
FS = Free Space Measurement

DAS Above-Ceiling PIM Blocker

Eliminates effect of PIM Sources

Part# DASACABSORBER

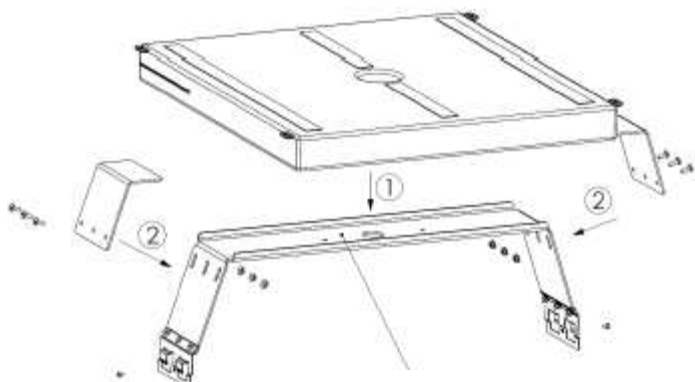
Mechanical Details



Specifications:

- UL2043 Compliant Fireproof Cloth
- Color: Gray
- Weight : 750 g
- Size: 500 x 500 x 50 mm
19.7 x 19.7 x 2.0 inch
- Intended Usage: Indoor.

Typical Installation



Holder sold separately

