

MATERIALS AND FINISHES

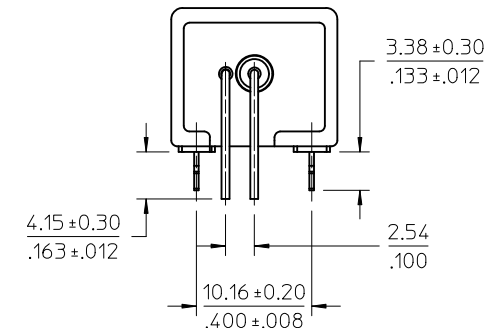
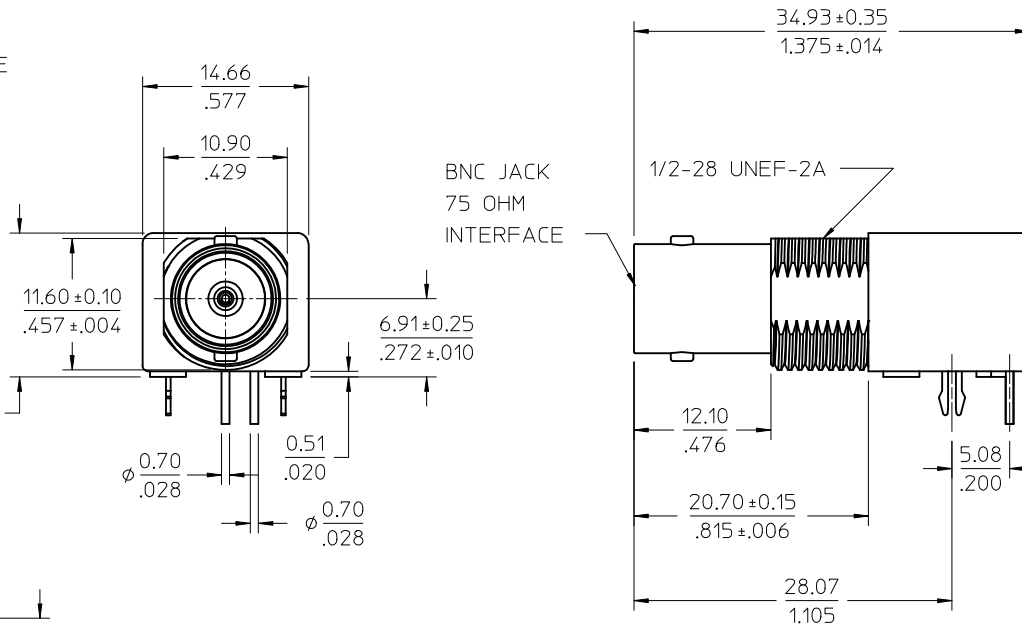
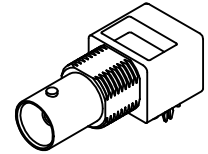
BODY ZINC ALLOY
PLATED NICKEL

CENTER CONTACT PHOSPHOR BRONZE
PLATED GOLD

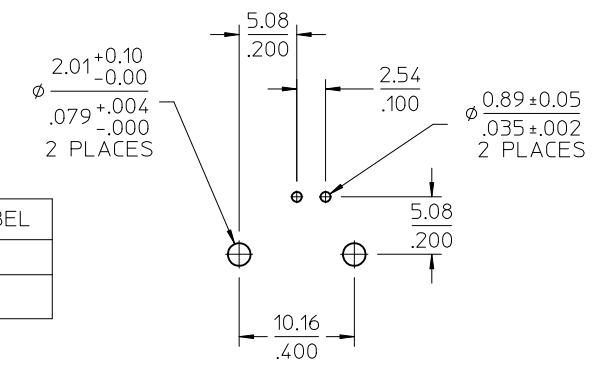
INSULATOR POLYPROPYLENE(94V2)

BOARD LOCK PHOSPHOR BRONZE
PLATED TIN

SOLDER TAIL COPPER OVER STEEL
PLATED TIN



NOTE:
LEADS MAY NEED TO BE
ADJUSTED TO FIT PCB



RECOMMENDED PCB LAYOUT

RECOMMENDED MOUNTING HOLE
PANEL THICKNESS: 5.40(.216) MAX
RECOMMENDED MOUNTING TORQUE:
1.36 N-m(12 INCH LBS) MAX

73171-4330	QTY (1) OF 73101-0120 IN SINGLE BAG WITH LABEL
73101-0120	BULK
PART NO.	PACKAGING

PART # 73101-0120

PS-89675-1030	PRODUCT SPECIFICATION
SPECIFICATION	DESCRIPTION

CHG: ADD 73171-4330 EC NO: DRWINBOMALLEY 2012/01/17 CHKD:AZR 2012/01/17 APPR: JWIENER 2012/01/24 REV: B4	QUALITY SYMBOLS ▽=0 ▽=0	GENERAL TOLERANCES (UNLESS SPECIFIED) 4 PLACES ± --- ± --- 3 PLACES ± --- ± --- 2 PLACES ± --- ± --- 1 PLACE ± --- ± --- ANGULAR ± ---°	DIMENSION STYLE MM/IN DRAWN BY: LYNN LIN DATE: 1996/07/12 CHECKED BY: _____ DATE: _____ APPROVED BY: _____ DATE: _____	SCALE: METRIC DESIGN UNITS: METRIC THIRD ANGLE PROJECTION	TITLE: BNC JAC R/A PCB 75 OHMS DIE CAST BNC-J/RA/PCB EWR-2677 MOLEX INCORPORATED	MATERIAL NO: 731010120 DOCUMENT NO: SD-73101-0120 SHEET NO: 1 OF 1
		DRAFT WHERE APPLICABLE MUST REMAIN WITHIN DIMENSIONS	THIS DRAWING CONTAINS INFORMATION THAT IS PROPRIETARY TO MOLEX INCORPORATED AND SHOULD NOT BE USED WITHOUT WRITTEN PERMISSION			

MATERIALS AND FINISHES

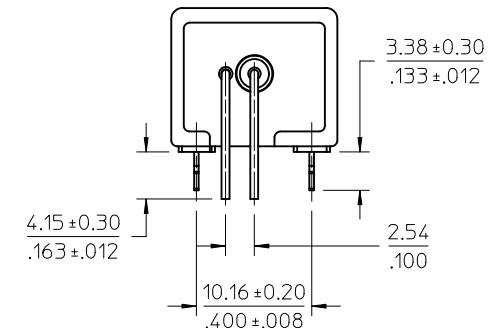
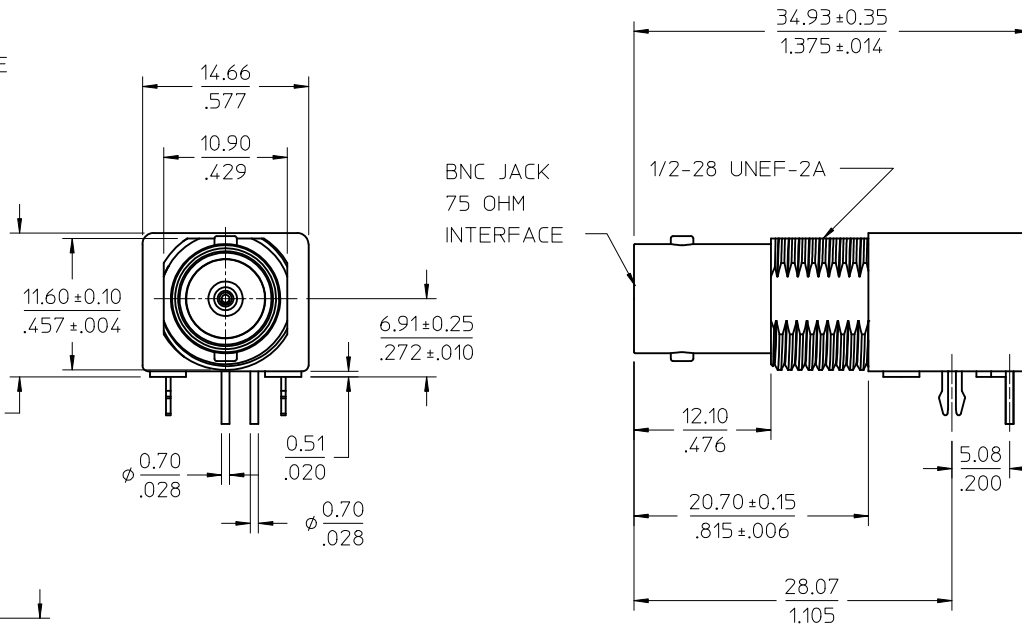
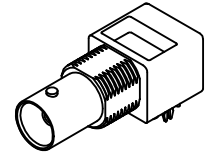
BODY ZINC ALLOY
PLATED NICKEL

CENTER CONTACT PHOSPHOR BRONZE
PLATED GOLD

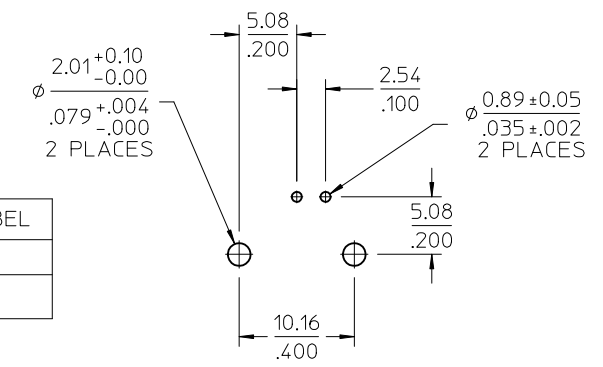
INSULATOR POLYPROPYLENE(94V2)

BOARD LOCK PHOSPHOR BRONZE
PLATED TIN

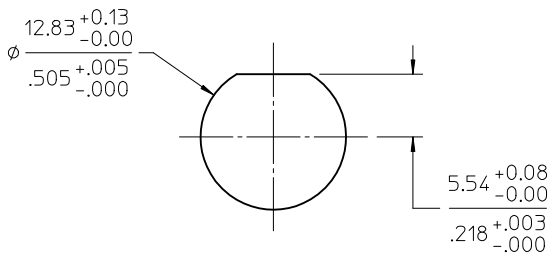
SOLDER TAIL COPPER OVER STEEL
PLATED TIN



NOTE:
LEADS MAY NEED TO BE
ADJUSTED TO FIT PCB



RECOMMENDED PCB LAYOUT



RECOMMENDED MOUNTING HOLE
PANEL THICKNESS: 5.40(.216) MAX
RECOMMENDED MOUNTING TORQUE:
1.36 N-m(12 INCH LBS) MAX

73171-4330	QTY (1) OF 73101-0120 IN SINGLE BAG WITH LABEL
73101-0120	BULK
PART NO.	PACKAGING

PART # 73101-0120

PS-89675-1030	PRODUCT SPECIFICATION
SPECIFICATION	DESCRIPTION

CHG: ADD 73171-4330 EC NO: DRWINBOMALLEY 2012/01/17 CHKD:AZR 2012/01/17 APPR: JWIENER 2012/01/24 B4	QUALITY SYMBOLS ▽=0 ▽=0	GENERAL TOLERANCES (UNLESS SPECIFIED) mm INCH 4 PLACES ± --- ± --- 3 PLACES ± --- ± --- 2 PLACES ± --- ± --- 1 PLACE ± --- ± --- ANGULAR ± ---°	DIMENSION STYLE MM/IN	SCALE METRIC	DESIGN UNITS METRIC	THIRD ANGLE PROJECTION
			DRAWN BY LYNN LIN	DATE 1996/07/12	TITLE BNC JAC R/A PCB 75 OHMS DIE CAST BNC-J/RA/PCB EWR-2677	MOLEX INCORPORATED
DRAFT WHERE APPLICABLE MUST REMAIN WITHIN DIMENSIONS			THIS DRAWING CONTAINS INFORMATION THAT IS PROPRIETARY TO MOLEX INCORPORATED AND SHOULD NOT BE USED WITHOUT WRITTEN PERMISSION			