



## I-7521(D)/I-7522(D)/I-7523(D)

Addressable RS-485 to RS-232/RS-485 Converter

### Features

- Built-in "Addressable RS-232 Converter" Firmware
- Responses from RS-232 devices can be addressable
- Supports Dual-Watchdog Commands
- Supports Power-up Value and Safe Value for DO
- Supports Real-time Monitoring/Control for the Onboard DI/DO
- Includes a 1KB Queue Buffer for Each RS-232 Interface
- Watchdog Timer Provides Fault Tolerance and Recovery
- Low Power Consumption
- R.O.C. Invention Patent No. 086674, No.103060, No. 132457
- 3000 V Isolation on the RS-485 Interface



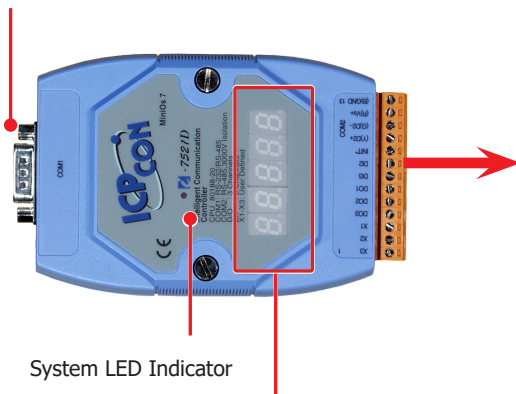
### Introduction

Most RS-232 devices don't support device addressing. The ICPDAS I-752n series assigns a unique address to any RS-232 device installed on an RS-485 network. When the Host PC sends a command with a device address to the RS-485 network, the destination I-752n module will remove the address field, and then pass the other commands to its local RS-232 devices. The response from the local RS-232 devices will be returned to the Host PC via the I-752n module.

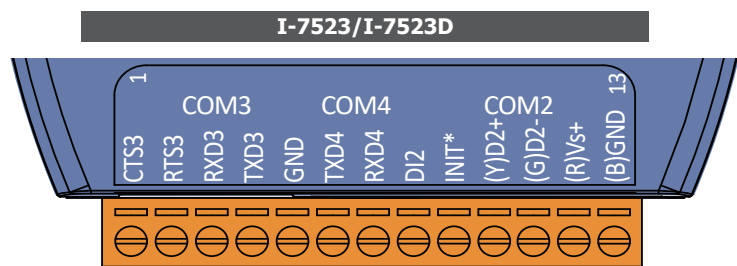
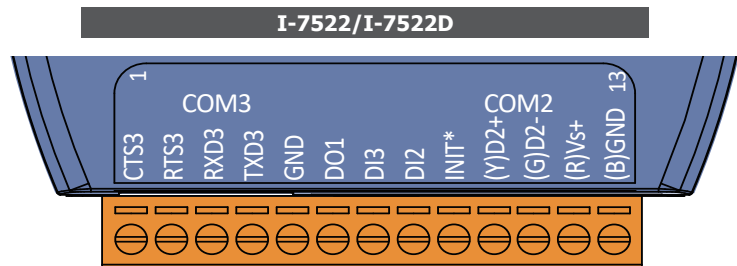
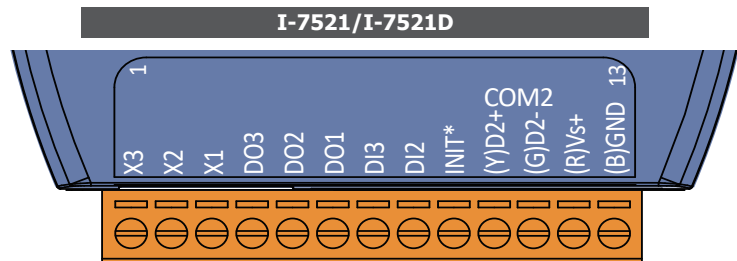
ICPDAS I-752n products are unique in that they are a Master-type converter that use our R.O.C. Patent 086674, while most other converters are a Slave-type, which cannot operate without a Host PC. In real industrial applications, many users are not satisfied with Slave-type converters as they cannot be adapted to individual requirements.

### Appearances

RS-232/RS-485 (COM1)



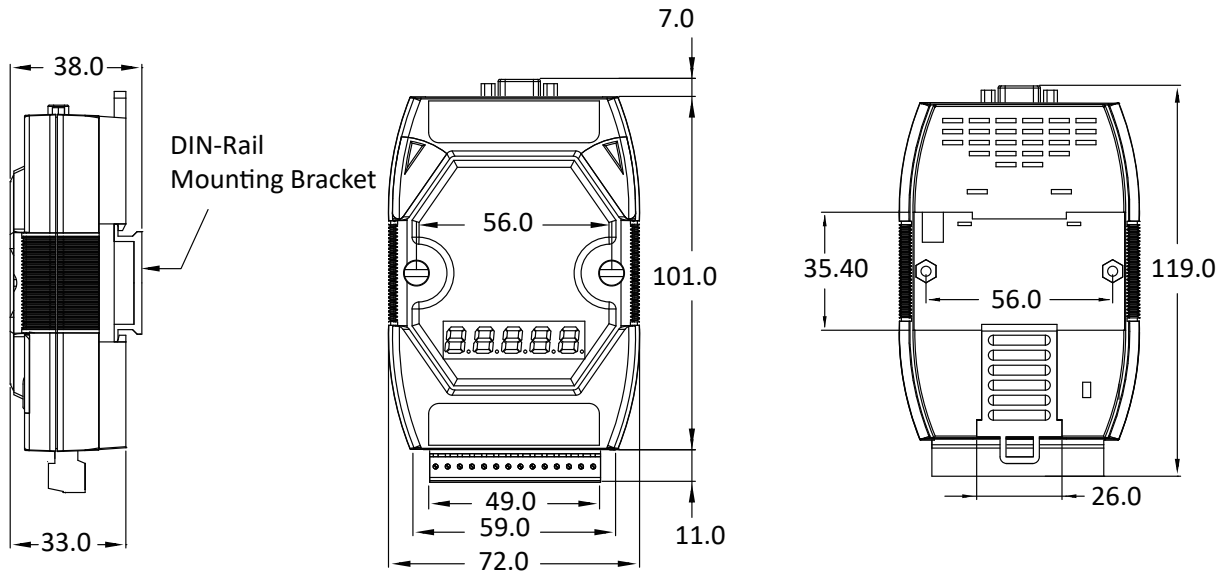
5 x Digit 7 Segment LED Display  
(for I-7521D, I-7522D and I-7523D only)



## Specifications

Model	I-7521	I-7521D	I-7522	I-7522D	I-7523	I-7523D
<b>Software</b>						
OS	MiniOS7					
<b>CPU Module</b>						
CPU	80188 or compatible, 20 MHz					
SRAM	128 KB					
Flash	512 KB					
EEPROM	2 KB					
Watchdog Timer	Yes					
<b>Display</b>						
Digit 7 Segment LED Display	-	5	-	5	-	5
<b>LED Indicator</b>						
Status	1 x System					
<b>Communication Port</b>						
Baud Rate	115200 bps Max.					
COM1	RS-232/RS-485 (RXD, TXD, RTS, CTS, GND for RS-232, Data+, Data- for RS-485 with self-tuner ASIC)					
COM2	RS-485 (Data+, Data-) with internal self-tuner ASIC; 3000 VDC Isolation					
COM3	-	RS-232 (RXD, TXD, RTS, CTS, GND)				
COM4	-				RS-232 (RXD, TXD, GND)	
<b>Digital Input</b>						
Channels	2				1	
Type	Non-isolated					
Dry Contact, ON Voltage Level	Close to GND					
Dry Contact, OFF Voltage Level	Open					
<b>Digital Output</b>						
Channels	3		1		-	
Type	Open Collector					
Load Voltage	+30 VDC Max.					
Max. Load Current	100 mA					
<b>Mechanical</b>						
Dimension (W x H x D)	72 mm x 119 mm x 33 mm					
Installation	DIN-Rail Mounting					
<b>Environmental</b>						
Operating Temperature	-25 ~ +75 °C					
Storage Temperature	-40 ~ +80 °C					
Humidity	5 ~ 90 % RH, Non-condensing					
<b>Power</b>						
Input Range	+10 ~ +30 VDC					
Consumption	2.0 W	3.0 W	2.0 W	3.0 W	2.0 W	3.0 W

## ■ Dimensions (Units: mm)



Right Side View

Front View

Back View

## ■ Ordering Information

<b>I-7521 CR</b>	Addressable RS-485 to RS-232/RS-485 Converter with 2 DI and 3 DO (Blue Cover) (RoHS)
<b>I-7521D CR</b>	Addressable RS-485 to RS-232/RS-485 Converter with 2 DI, 3 DO and 7-Segment LED Display (Blue Cover) (RoHS)
<b>I-7521D-G CR</b>	Addressable RS-485 to RS-232/RS-485 Converter with 2 DI, 3 DO and 7-Segment LED Display (Gray Cover) (RoHS)
<b>I-7522 CR</b>	Addressable RS-485 to 2 x RS-232/RS-485 Converter with 2 DI and 1 DO (Blue Cover) (RoHS)
<b>I-7522D CR</b>	Addressable RS-485 to 2 x RS-232/RS-485 Converter with 2 DI, 1 DO and 7-Segment LED Display (Blue Cover) (RoHS)
<b>I-7523 CR</b>	Addressable RS-485 to 3 x RS-232/RS-485 Converter with 1 DI (Blue Cover) (RoHS)
<b>I-7523D CR</b>	Addressable RS-485 to 3 x RS-232/RS-485 Converter with 1 DI and 7-Segment LED Display (Blue Cover) (RoHS)