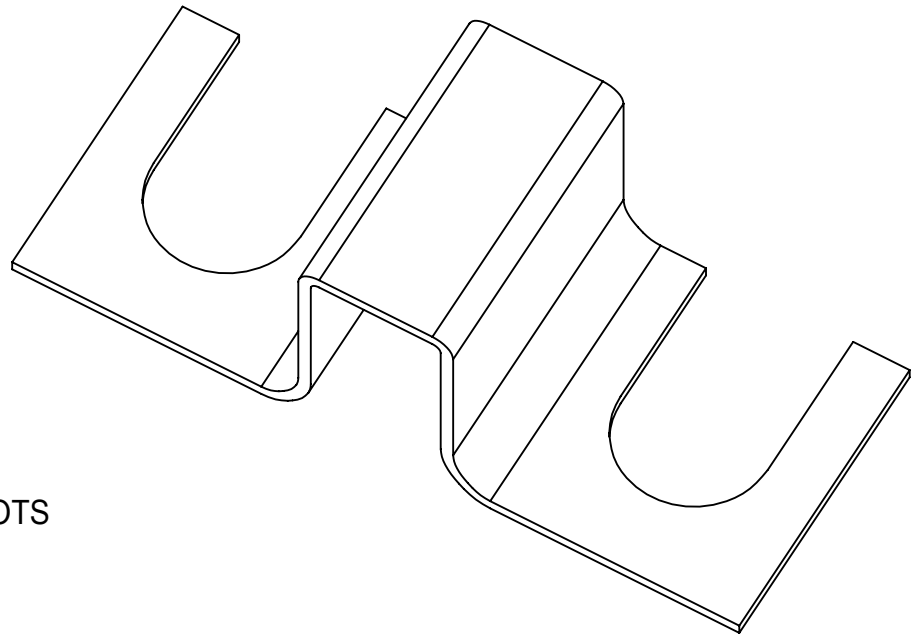
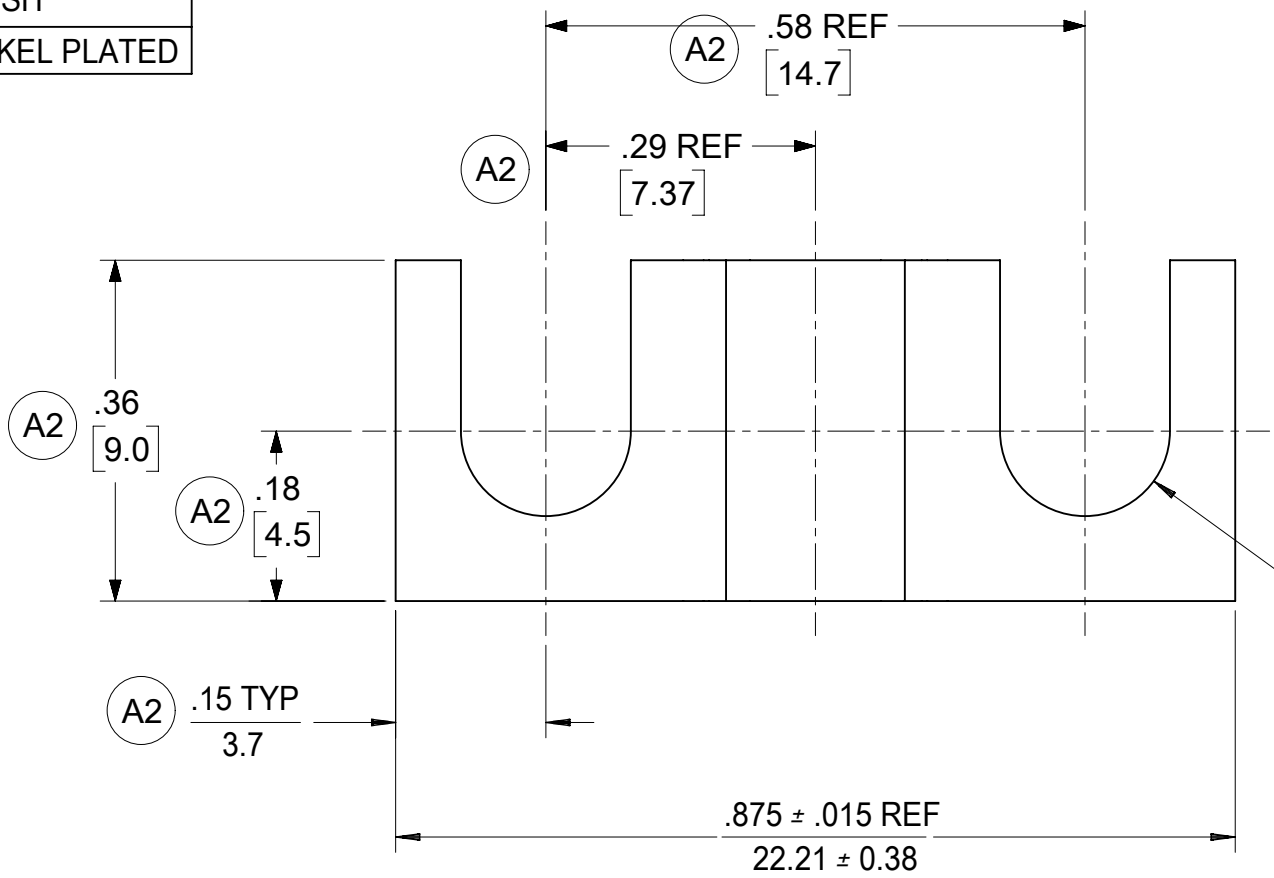
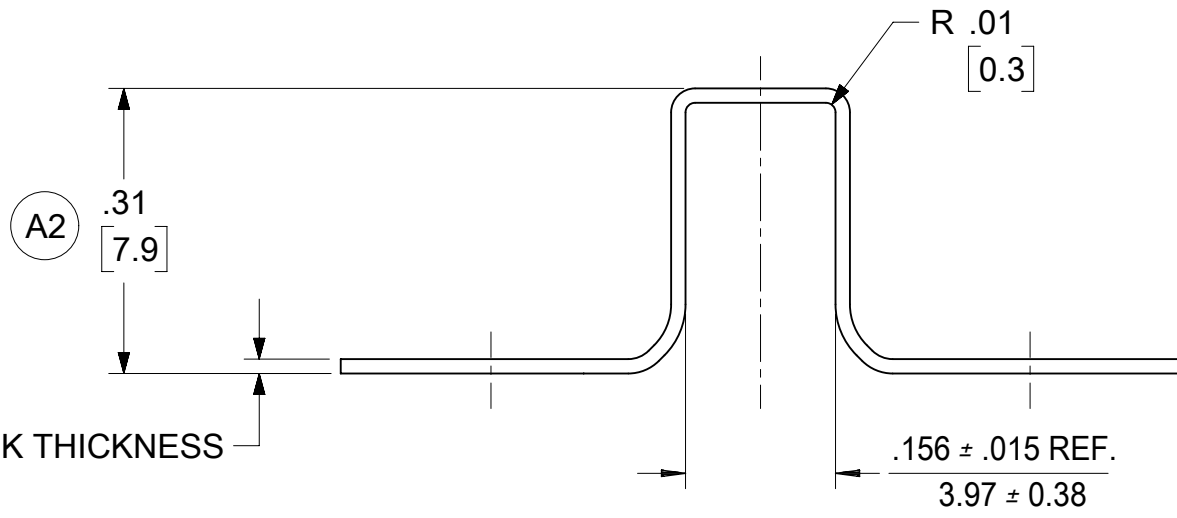


10	9	8	7	6	5	4	3	2	1	
MATERIAL NO.	ENG. NO.	MATERIAL	FINISH							
380020442	2132	BRASS	NICKEL PLATED							



Ø.177
4.50 2 SLOTS



.015 STOCK THICKNESS
[0.38]

NOTE(S):

1. MATERIAL: SEE TABLE
2. FINISHES: SEE TABLE
3. PRODUCT SPECIFICATION: NOT REQUIRED
4. PACKAGING: NOT REQUIRED
5. MATES WITH: 21, 22, AND 26 SERIES BTS

THIS DRAWING CONTAINS INFORMATION THAT IS PROPRIETARY TO MOLEX ELECTRONIC TECHNOLOGIES, LLC AND SHOULD NOT BE USED WITHOUT WRITTEN PERMISSION									
FUNCTIONAL SYMBOLS	DIMENSION UNITS	SCALE	CURRENT REV DESC: DIM'S UPDATED .58 REF WAS .562 REF.						
	INCH/MM	5:1	molex JUMPER TERMINAL, SLOTTED TYPE PRODUCT CUSTOMER DRAWING						
GENERAL TOLERANCES (UNLESS SPECIFIED)		EC NO: 640979							
DIVISIONAL SYMBOLS	4 PLACES ±	±	DRWN: JMACNEIL		2020/07/07			DOCUMENT NUMBER	
	3 PLACES ±	± 0.005	CHK'D: JMACNEIL		2020/07/07			SD-38002-036	
2 PLACES ± 0.13 ± 0.01		APPR: JMACNEIL		2020/07/07			DOC TYPE		
1 PLACE ± 0.3 ±		INITIAL REVISION:		DRWN: CYORK		2004/03/17			
0 PLACES ±		APPR: GROBERTS		2004/03/18		DOC PART		REVISION	
ANGULAR TOL ± 2.0°		THIRD ANGLE PROJECTION		DRAWING		SERIES		SHEET NUMBER	
DRAFT WHERE APPLICABLE MUST REMAIN WITHIN DIMENSIONS		B-SIZE		38002		MATERIAL NUMBER		CUSTOMER	
						SEE CHART		GENERAL MARKET	
								1 OF 1	