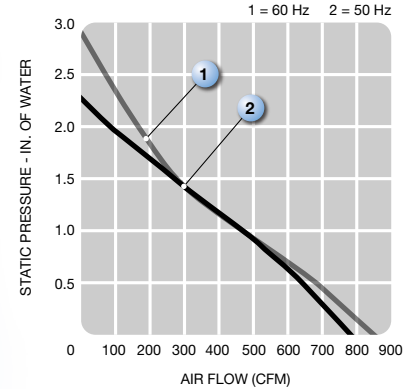
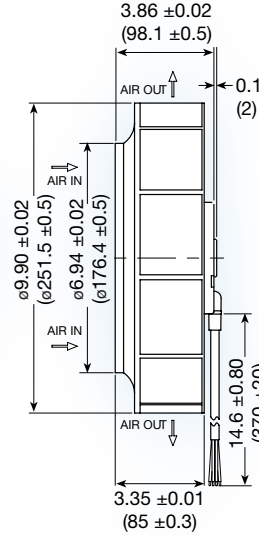
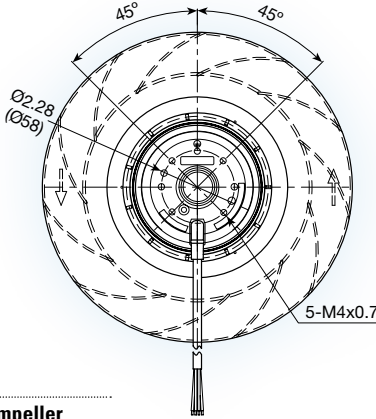


# UF250APA series



**(251 dia. x 98 mm)**  
9.90 dia. x 3.86 inches

**Features:** backward curved impeller

Operating voltage: 115 or 230 VAC

Operating temp. -40° ~ 50°C

Construction: aluminum die cast motor base;  
UL94V-0 reinforced nylon  
impeller

Bearing option: ball bearing

Motor: permanent split capacitor  
required capacitor included

Air Flow: centrifugal

Connection: AWM 2517 lead wires

Protection: thermal

Model No.	Rated Voltage V	Freq. HZ	Input Power W	Rated Cur. A	Locked Cur. A	Speed RPM	Air Volume		Max. Static Pressure (H2O)		Sound Noise dBa	Weight kg
							M <sup>3</sup> /Min.	CFM	MM	INCH		
UF250APA12-H1C2A	115	50	170	1.50	3.10	2,600	22	770	56	2.2	75	3.1
	115	60	240	2.10	3.00	2,700	24	850	74	2.9	76	3.1
UF250APA23-H1C2A	230	50	170	0.77	1.57	2,600	22	770	56	2.2	75	3.1
	230	60	240	1.00	1.52	2,700	24	850	74	2.9	76	3.1

