

# EKI-1528/T

# EKI-1526/T

## 8-port RS-232/422/485 Serial Device Server

## 16-port RS-232/422/485 Serial Device Server



EKI-1528

EKI-1526



### Features

- 8 or 16-port RS-232/422/485 serial communication
- Provides 2 x 10/100 Mbps Ethernet ports for LAN redundancy
- Supports up to 921.6 kbps, and any baud rate setting
- Provides COM port redirection (Virtual COM), TCP and UDP operation modes
- Provides rich configuration methods: Windows utility, Telnet console, Web Browser, and serial console
- Built-in 15 KV ESD protection for all serial signals
- SNMP MIB-II for network management
- Built-in buzzer for easy location
- Standard 1U rackmount size
- Rear wiring
- Automatic RS-485 data flow control

### Introduction

The EKI-1528 and EKI-1526 are industrial-grade network-based serial device servers for connecting up to 8 or 16 serial RS-232/422/485 devices, such as CNCs, PLCs, scales and scanners, directly to a TCP/IP network. The EKI-1528 and EKI-1526 feature two independent Ethernet ports and MAC addresses to provide a redundant network mechanism to guarantee Ethernet network reliability. The EKI-1528 and EKI-1526 provide a simple and cost-effective way to bring the advantages of remote management and data accessibility to thousand of devices that can't connect to an Ethernet network. The EKI-1528 and EKI-1526 offer multiple ways to configure through Windows utility, Web Browser, serial console or Telnet console, these methods make it easy manage many EKI-1528 and EKI-1526 or serial devices on your network.

### Specifications

#### Ethernet Communications

- **Compatibility** IEEE 802.3, IEEE 802.3u
- **Speed** 10/100 Mbps, auto MDI/MDIX
- **No. of Ports** 2
- **Port Connector** 8-pin RJ45
- **Protection** Built-in 1.5 KV magnetic isolation

#### Serial Communications

- **Port Type** RS-232/422/485, software selectable
- **No. of Ports** EKI-1528/EKI-1528T: 8  
EKI-1526/EKI-1526T: 16
- **Port Connector** 8-pin RJ45
- **Data Bits** 5, 6, 7, 8
- **Stop Bits** 1, 1.5, 2
- **Parity** None, Odd, Even, Space, Mark
- **Flow Control** XON/XOFF, RTS/CTS, DTR/DSR
- **Baud Rate** 50 bps ~ 921.6 kbps, any baud rate setting  
16 ports up to 230.4 kbps simultaneously
- **Serial Signals** RS-232: TxD, RxD, CTS, RTS, DTR, DSR, DCD, GND  
RS-422: TxD+, TxD-, RxD+, RxD-, GND  
RS-485: Data+, Data-, GND
- **Protection** 15 KV ESD for all signals

#### Software

- **OS Support** 32-bit/64-bit Windows XP/Vista/7/8/8.1, Windows Server 2003/2008/2008 R2/2012/2012 R2, Windows CE 5.0, and Linux
- **Utility Software** Advantech EKI Device Configuration Utility
- **Operation Modes** COM port redirection mode (Virtual COM)  
TCP/UDP server (polling) mode  
TCP/UDP client (event handling) mode  
Pair connection (peer to peer) mode  
RFC2217 mode

- **Configuration** Windows utility, Telnet console, Web Browser, serial console
- **Protocols** ARP, ICMP, IPv4, TCP, UDP, BOOTP/DHCP Client, Auto IP, Telnet, SNMP, HTTP, DNS, SMTP, NTP
- **Management** SNMP MIB-II

#### Mechanics

- **Dimensions (W x H x D)** 440 x 44 x 220 mm (17.32" x 1.73" x 8.66")
- **Enclosure** SECC chassis
- **Mounting** Rack

#### General

- **LED Indicators** System: Power, System Status  
LAN: Speed, Link/Active  
Serial: Tx, Rx
- **Alert Tools** Built-in buzzer and RTC (real time clock)
- **Reboot Trigger** Built-in WDT and push button for hardware reboot

#### Power Requirements

- **Power Input** EKI-1528/EKI-1526: 100 ~ 240 VAC, 47 ~ 63 Hz  
EKI-1528T/EKI-156T: 48 VDC, Terminal Block
- **Power Consumption** EKI-1528/EKI-1528T: 10 W  
EKI-1526/EKI-1526T: 12 W

#### Environment

- **Operating Temperature** -10 ~ 60°C (14 ~ 140°F)
- **Storage Temperature** -20 ~ 80°C (-4 ~ 176°F)
- **Operating Humidity** 5 ~ 95% RH

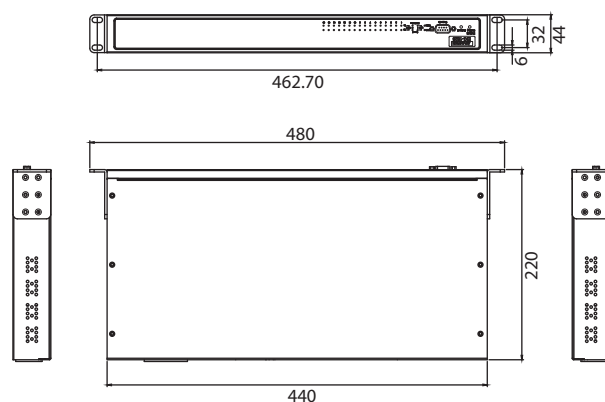
#### Regulatory Approvals

- **EMC** CE, FCC Part 15 Subpart B (Class A)

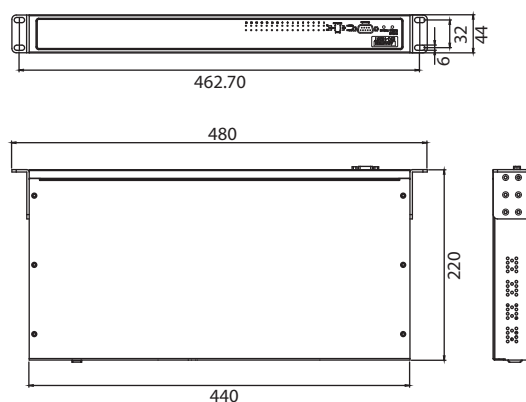
## Dimensions

Unit: mm

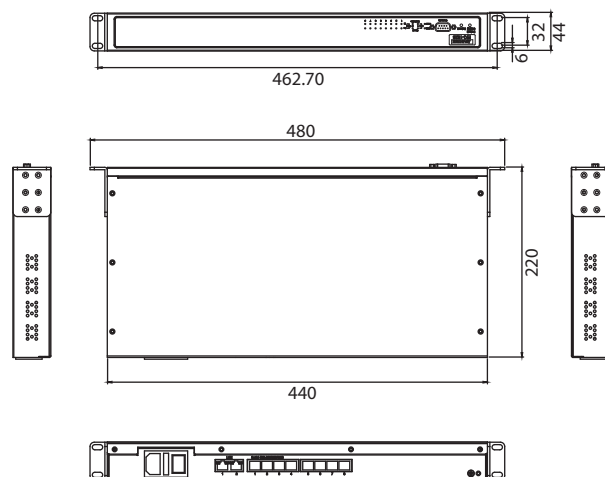
### EKI-1526



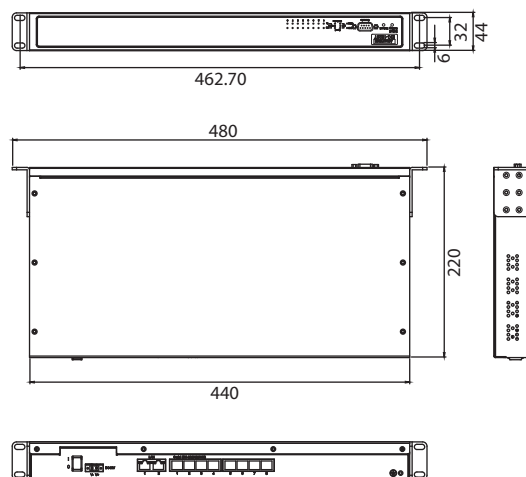
### EKI-1526T



### EKI-1528



### EKI-1528T



## Ordering Information

- **EKI-1528** 8-port RS-232/422/485 Serial Device Server
- **EKI-1526** 16-port RS-232/422/485 Serial Device Server
- **EKI-1528T-VDC** 8-port RS-232/422/485 Serial Device Server w/ DC Input
- **EKI-1526T-VDC** 16-port RS-232/422/485 Serial Device Server w/ DC Input

\*All items include 1pc OPT1J

## Accessories

- **OPT1I** 1 m RJ45 to DB9 Male Cable
- **OPT1J** 30 cm RJ45 to DB9 Male Cable
- **1702002600** Power Cable US Plug 1.8 m
- **1702002605** Power Cable EU Plug 1.8 m
- **1702031801** Power Cable UK Plug 1.8 m
- **1702031836** Power Cable China/Australia Plug 1.8 m