

PLEASE CHECK WWW.MOLEX.COM FOR LATEST PART INFORMATION

Part Number: [0011402102](#)
Status: **Active**
Overview: [Application Tooling](#)
Description: Terminator Die

Documents:

[RoHS Certificate of Compliance \(PDF\)](#)

General

Product Family	Application Tooling
Series	207122
Function	Crimp
Geographic Area	Global
Level of Automation	Semi-Automatic
More Detailed Tech Information	applicationtooling@molex.com
Overview	Application Tooling
Product Name	N/A
Taxonomy	Applicators and Crimp Modules
Tool Type	Terminator Die
UPC	800753606814
Warranty Disclaimer	CAUTION: Molex tooling crimp specifications are valid only when used with Molex terminals and tooling manufactured by Molex and sold by Molex or authorized distributors ("Molex Tooling"). When using tooling other than Molex Tooling with Molex specific connector systems listed in our ATS documents, the Molex tooling qualification does not apply and the responsibility for full qualification of the connector system is that of the customer. Molex accepts no liability for connector performance or tooling support where tooling other than Molex Tooling is used or where Molex Tooling is modified.

Physical

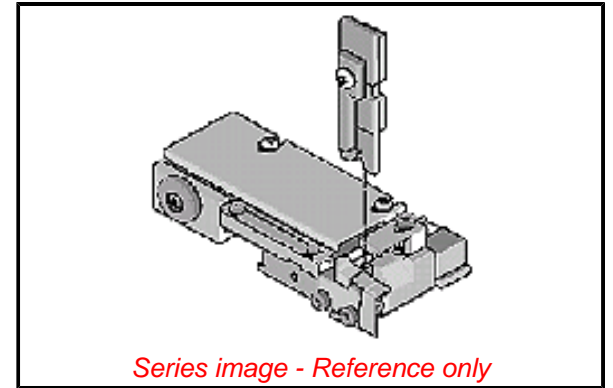
Net Weight 1.000/g

Material Info

Engineering Number T8305AX

Reference - Drawing Numbers

Application Tooling Documents
T8305AX-001, TM-638000029-001, TM-638000029CN-001, TM-638000029DE-001, TM-638000029FR-001, TM-638000029IT-001, TM-638000029JP-001, TM-638000029KR-001, TM-638000029MY-001, TM-638000029PL-001, TM-638000029RU-001, TM-638000029SK-001, TM-638000029SP-001, TM-638000029TH-001, TM-638000029TW-001, TM-638000029VN-001, TM-638500090-001, TM-638500090SP-001



EU ELV

Not Relevant

EU RoHS

Not Reviewed

REACH SVHC

Not Reviewed

Halogen-Free

Status

Not Relevant

For more information, please visit [Contact US](#)

China ROHS

Not Relevant

ELV

Not Relevant

RoHS Phthalates

Not Reviewed

Search Parts in this Series

[207122 Series](#)

Use With

Molex TM-42 Press [690025001](#) and Base Unit [11193001](#) for the 3BF Press

Application Tooling | FAQ

Description | Product #

KK 254 Cat Ear Crimp Terminal 8500030

4809, 22-30 AWG, Hot Tin Dip, 2.20mm Insulation Crimp, Reel

KK 254 Cat Ear Crimp Terminal 8500031

4809, 22-30 AWG, Hot Tin Dip, Reel

KK 254 Crimp Terminal 8500135

Terminal 4809, 22-30 AWG, Hot Tin Dip, Reel

KK 254 Crimp Terminal 8550110

Terminal 4809, 22-30 AWG, Selective Gold (Au), Reel

KK 254 Crimp	<u>8560120</u>
Terminal 4809, 22-30	
AWG, Selective Gold	
(Au), Reel	
MINI KK TERM	<u>97000225</u>
UNPLATED 8088999	
KK 254 Cat Ear	<u>97000450</u>
Crimp Terminal	
4809, 22-30 AWG,	
Un-plated, Reel	

This document was generated on 11/21/2022

PLEASE CHECK WWW.MOLEX.COM FOR LATEST PART INFORMATION