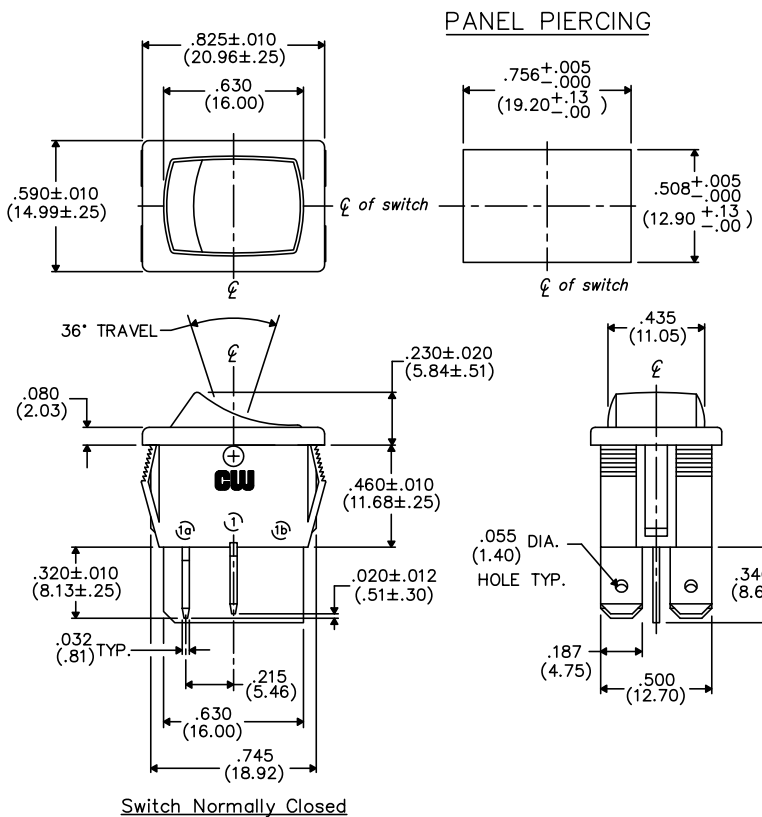


THIS INFORMATION IS CONFIDENTIAL AND PROPRIETARY TO CW INDUSTRIES INCORPORATED AND ITS AFFILIATES. IT MAY NOT BE DISCLOSED TO ANYONE, OTHER THAN CW INDUSTRIES PERSONNEL, WITHOUT WRITTEN AUTHORIZATION FROM CW INDUSTRIES INCORPORATED, SOUTHAMPTON, PENNSYLVANIA USA.

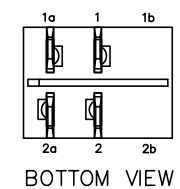
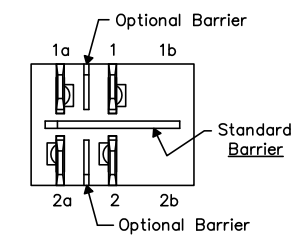
DIMENSIONS IN INCHES (MILLIMETERS)
DO NOT SCALE DRAWING

Dwg. No.
GRS-4021C-XXXX

E
D
C
B
A



OPTIONAL INSULATING BARRIER

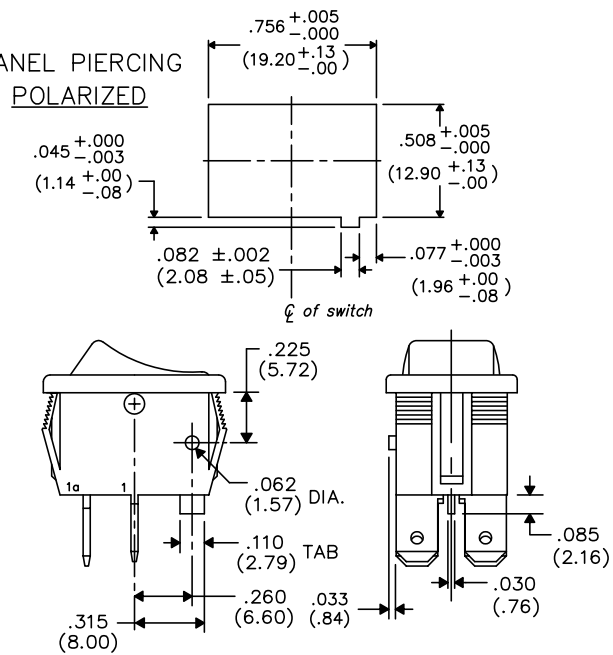


- TERMINAL OPTIONS:
- .187" (4.75mm) x .032" (.81mm) Solderless
 - .110" (2.79mm) x .032" (.81mm) Solderless
 - .187" (4.75mm) x .020" (.51mm) Solderless
 - .110" (2.79mm) wide with .048" (1.22mm) x .237" (6.02mm) Slot for Soldering

MOUNTING PANEL THICKNESS

Standard—.050" (1.27mm) to .150" (3.81mm).
Optional Mounting Claws for Custom Panel thickness are available.

PANEL PIERCING POLARIZED



1 2 3 4 5 6 7 8 9 10

B-FORMAT 2002	REVISIONS									
---------------	-----------	--	--	--	--	--	--	--	--	--

PDF FILE MADE	CW INDUSTRIES Southampton, Pa. 18966	Title: ROCKER SWITCH ASSEMBLY D.P./S.T. MOM.
	TOLERANCES UNLESS OTHERWISE SPECIFIED	Division: SWITCH
	2 Place Decimal ±.010 METRIC 3 Place Decimal ±.005 1 Place Dec. ±.25mm Angles ±1° 2 Place Dec. ±.13mm	Dwg. No. GRS-4021C-XXXX
	Made for: CW IND.	
	Drawn by: DGW 10-28-2010	
Checked by: _____		
Approval: _____		