



Automotive Power Common Mode Chokes

ACMP-Q3226

Request Samples



Check Inventory



3.2 x 2.5 x 2.35 mm
RoHS/RoHS II Compliant
MSL Level = 1

Features

- AEC-Q200 compliant, Grade 1
- PPAP ready and supported
- Manufactured in TS/IATF 16949 production lines
- Excellent impedance characteristics
- low DCR

Applications

- DC power line common mode noise suppression.
- Multimedia devices
- Automotive power train
- Automotive infotainment

Electrical Specifications

| Part Number | Impedance (Ω) $\pm 25\%$ @100MHz | DCR (m Ω) | Rated Current (A) | Rated Voltage (Vdc) | Insulation Resistance (Ω) |
|----------------|---|----------------------|----------------------|------------------------|---------------------------------------|
| | | Max | Max | Max | Min |
| ACMP-Q3226-501 | 500 | 180 | 0.8 | 50 | 10 |
| ACMP-Q3226-102 | 1000 | 200 | 0.75 | 50 | 10 |
| ACMP-Q3226-242 | 2400 | 300 | 0.64 | 50 | 10 |

Rated Current is based on an Irms temperature rise of 40°C

ACMP-Q3226 is AEC-Q200 Automotive certified

ACMP-Q3226 Series is **RoHS Compliant and Pb free**

Operating Temperature: -40°C to +125°C (AEC-Q200 Grade 1)

Storage Temperature (on PCB): -40°C to +125°C

Storage (in original packaging): <40°C, <70% RH



5101 Hidden Creek Ln, Spicewood TX 78669
Phone: 512-371-6159 Fax: 512-351-8858
For terms and conditions of sales, please visit:
www.abracon.com

REVISION Initial Release
3/31/2022

ABRACON IS
ISO9001-2015
CERTIFIED



Automotive Power Common Mode Chokes

ACMP-Q3226

Request Samples

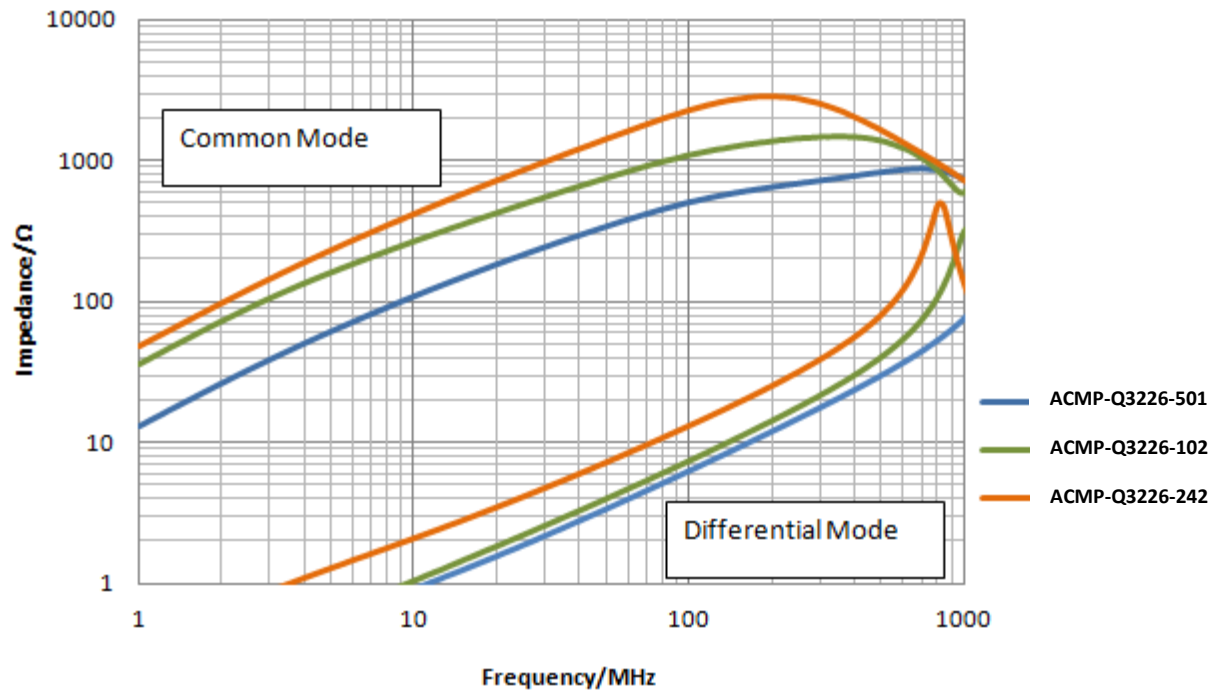


Check Inventory



3.2 x 2.5 x 2.35 mm
RoHS/RoHS II Compliant
MSL Level = 1

Electrical Specifications





Automotive Power Common Mode Chokes

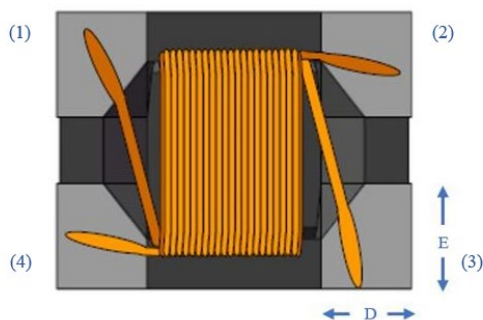
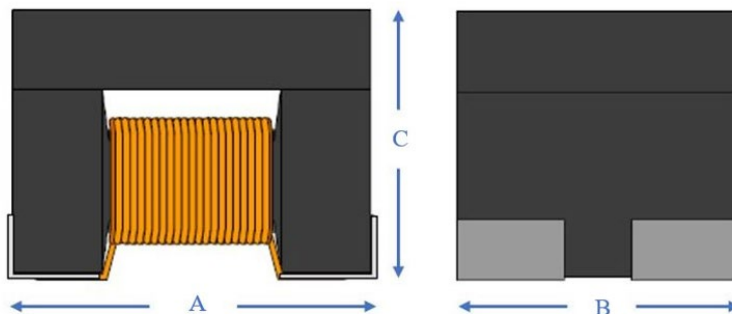
ACMP-Q3226

Request Samples

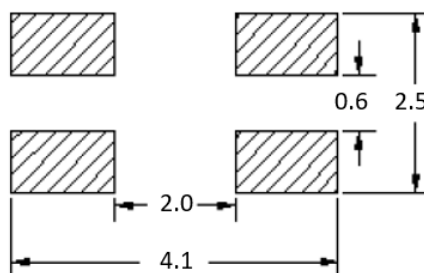
Check Inventory

3.2 x 2.5 x 2.35 mm
RoHS/RoHS II Compliant
 MSL Level = 1

Mechanical Specifications



| A | B | C | D | E |
|----------|----------|-----------|-----|------|
| 3.2 ±0.2 | 2.5 ±0.2 | 2.35 ±0.2 | 0.8 | 0.95 |



Recommended Layout

Dimensions: mm



5101 Hidden Creek Ln, Spicewood TX 78669
 Phone: 512-371-6159 Fax: 512-351-8858
 For terms and conditions of sales, please visit:
www.abracon.com

REVISION Initial Release
 3/31/2022

ABRACON IS
 ISO9001-2015
 CERTIFIED



Automotive Power Common Mode Chokes

ACMP-Q3226

Request Samples

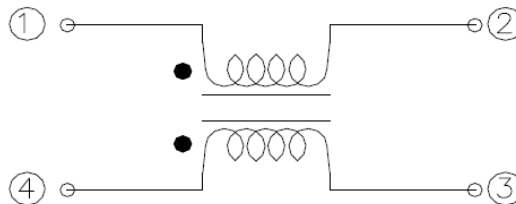


Check Inventory

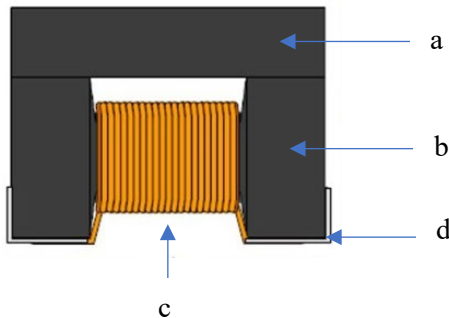


3.2 x 2.5 x 2.35 mm
RoHS/RoHS II Compliant
 MSL Level = 1

Schematic

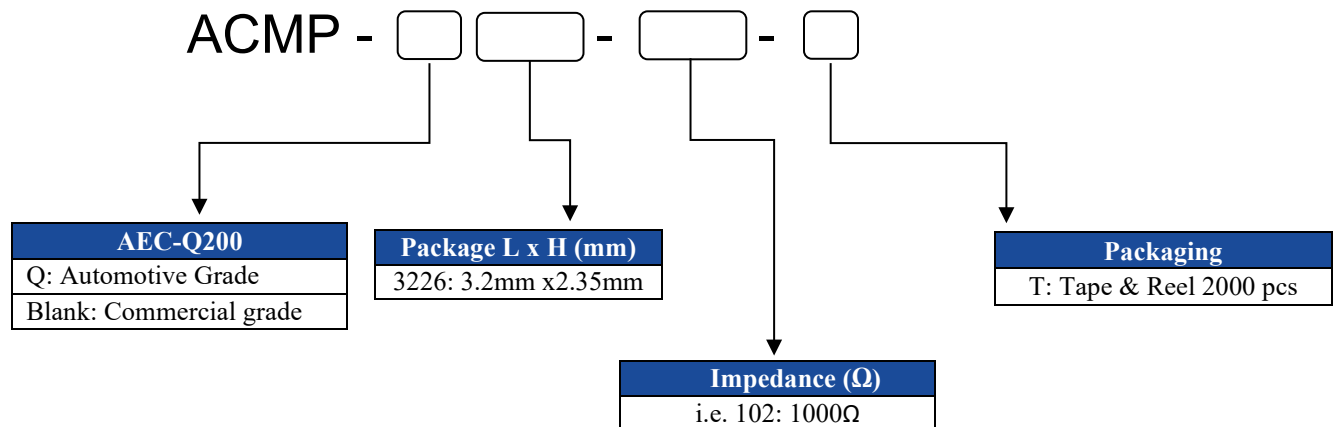


Materials



| | Description | Specification |
|---|-------------|----------------------|
| a | Upper Plate | Ni-Zn Ferrite |
| b | Core | Ni-Zn Ferrite |
| c | Wire | Enameled copper wire |
| d | Electrode | Ag/Ni/Sn |

Part Identification





Automotive Power Common Mode Chokes

ACMP-Q3226

Request Samples

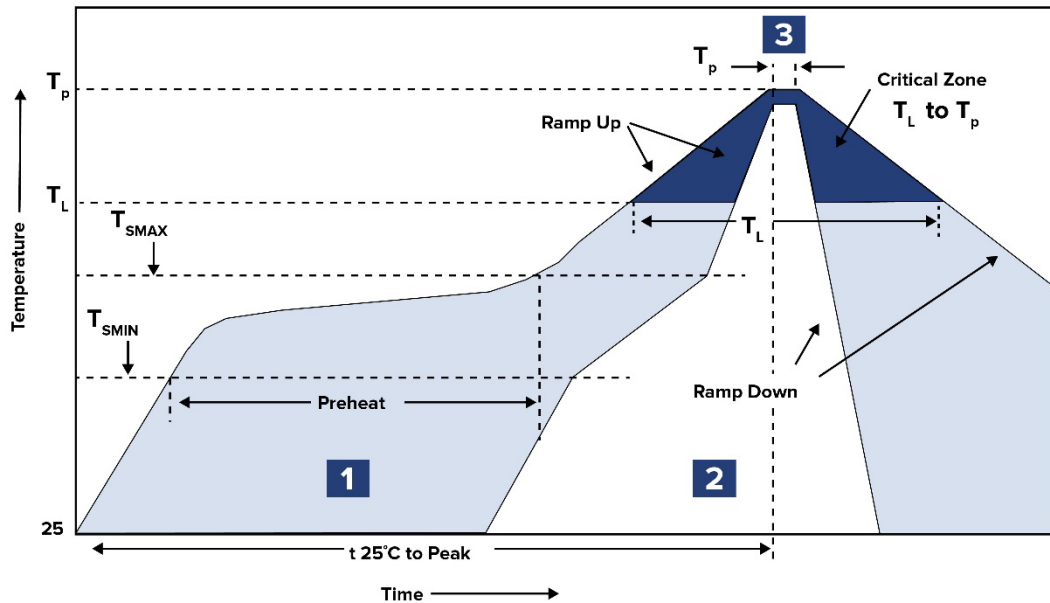


Check Inventory



3.2 x 2.5 x 2.35 mm
 RoHS/RoHS II Compliant
 MSL Level = 1

Reflow Profile



| Zone | Description | Temperature | Times |
|------|-------------|---|---------------|
| 1 | Preheat | $T_{SMIN} \sim T_{SMAX}$ 150°C ~ 200°C | 60 ~ 120 sec. |
| 2 | Reflow | T_L 217°C | 60 ~ 90 sec. |
| 3 | Peak heat | T_p 260°C MAX | 10 sec. MAX |



Automotive Power Common Mode Chokes

ACMP-Q3226

Request Samples



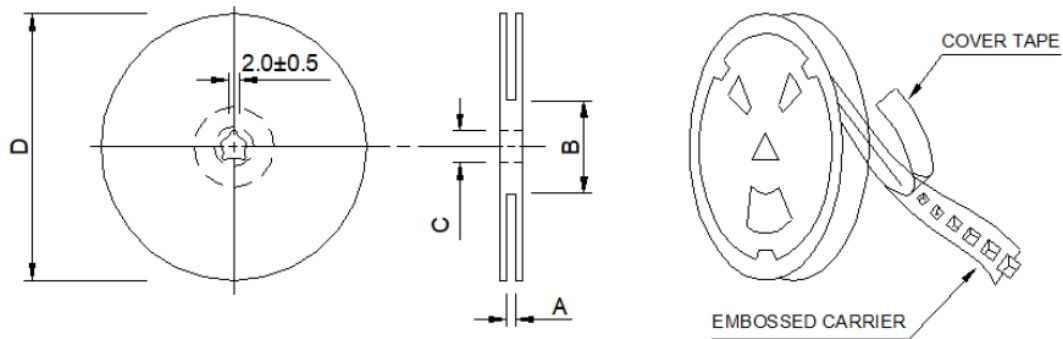
Check Inventory



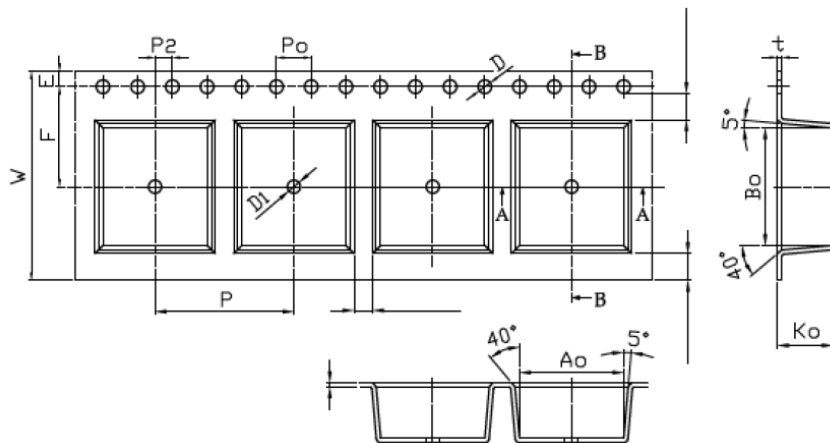
3.2 x 2.5 x 2.35 mm
RoHS/RoHS II Compliant
 MSL Level = 1

Packaging

Tape & Reel: 2000pcs/reel



| Series | A | B | C | D |
|------------|-----------|------------|-----------|-----|
| ACMP-Q3226 | 13.0 ±0.5 | 100.0 ±2.0 | 13.0 ±0.2 | 330 |



| W | P | E | F | P0 | P2 | B0 | Ao | Ko | D | t |
|---------------|--------------|---------------|---------------|--------------|--------------|--------------|--------------|--------------|-----------------|--------------|
| 12.0 ±0.10 | 8.0 ±0.10 | 1.75 ±0.10 | 5.55 ±0.10 | 4.0 ±0.10 | 2.0 ±0.10 | 3.6 ±0.10 | 2.9 ±0.10 | 2.6 ±0.10 | 1.5 +0.10/-0 | 0.3 ±0.05 |

Dimensions: mm

ATTENTION: Abracon LLC's products are COTS – Commercial-Off-The-Shelf products; suitable for Commercial, Industrial and, where designated, Automotive Applications. Abracon's products are not specifically designed for Military, Aviation, Aerospace, Life-dependent Medical applications or any application requiring high reliability where component failure could result in loss of life and/or property. For applications requiring high reliability and/or presenting an extreme operating environment, written consent and authorization from Abracon LLC is required. Please contact Abracon LLC for more information.



5101 Hidden Creek Ln, Spicewood TX 78669
 Phone: 512-371-6159 Fax: 512-351-8858
 For terms and conditions of sales, please visit:
www.abracon.com

REVISION Initial Release
 3/31/2022

ABRACON IS
 ISO9001-2015
 CERTIFIED