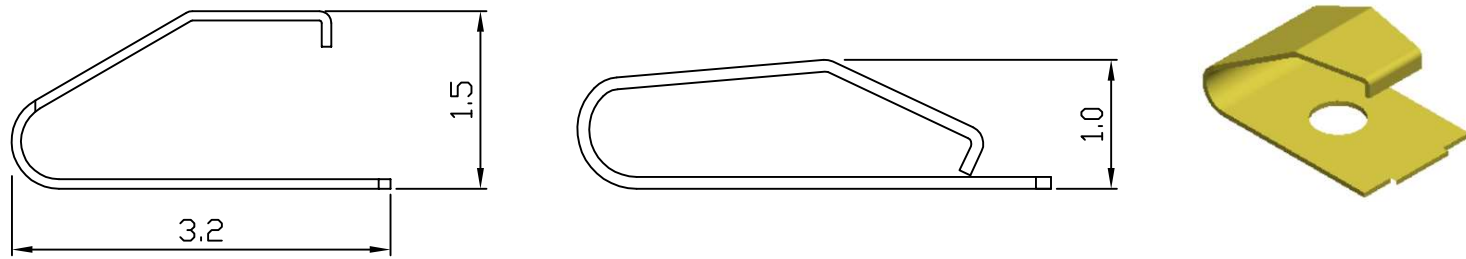


8	7	6	5	4	3	2	1
PART NUMBER	THICKNESS	MATERIAL	PLATING TYPE	PACKAGING			
67BCG2003201508R00	0.08mm	BeCu C17200	Au 1u" Over Ni 50~120u"	TAPE AND REEL			

REEL DIAMETER	TAPE WIDTH (W)	PITCH (P)	QUANTITY / REEL
330.2mm (13 inch)	12mm	8mm	4000 pcs

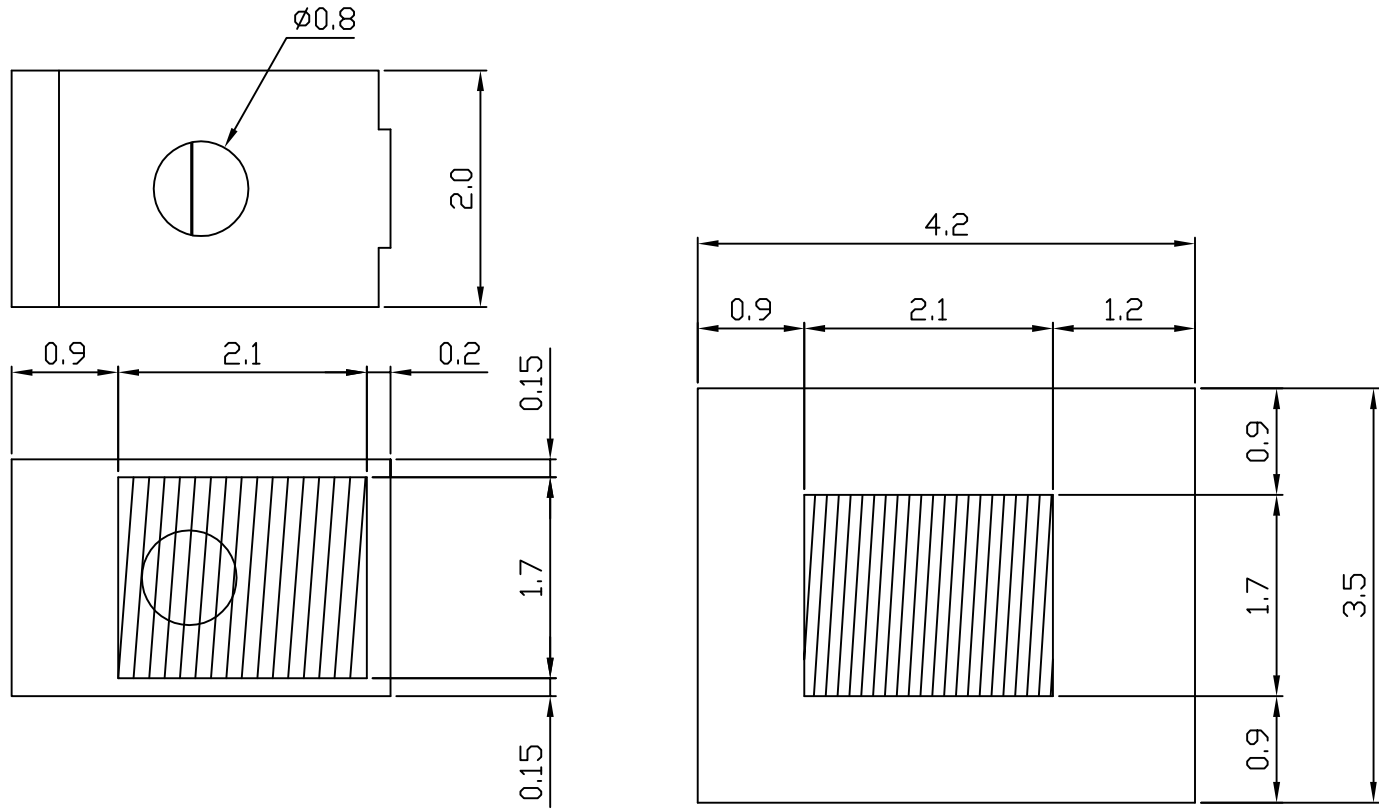
D

D



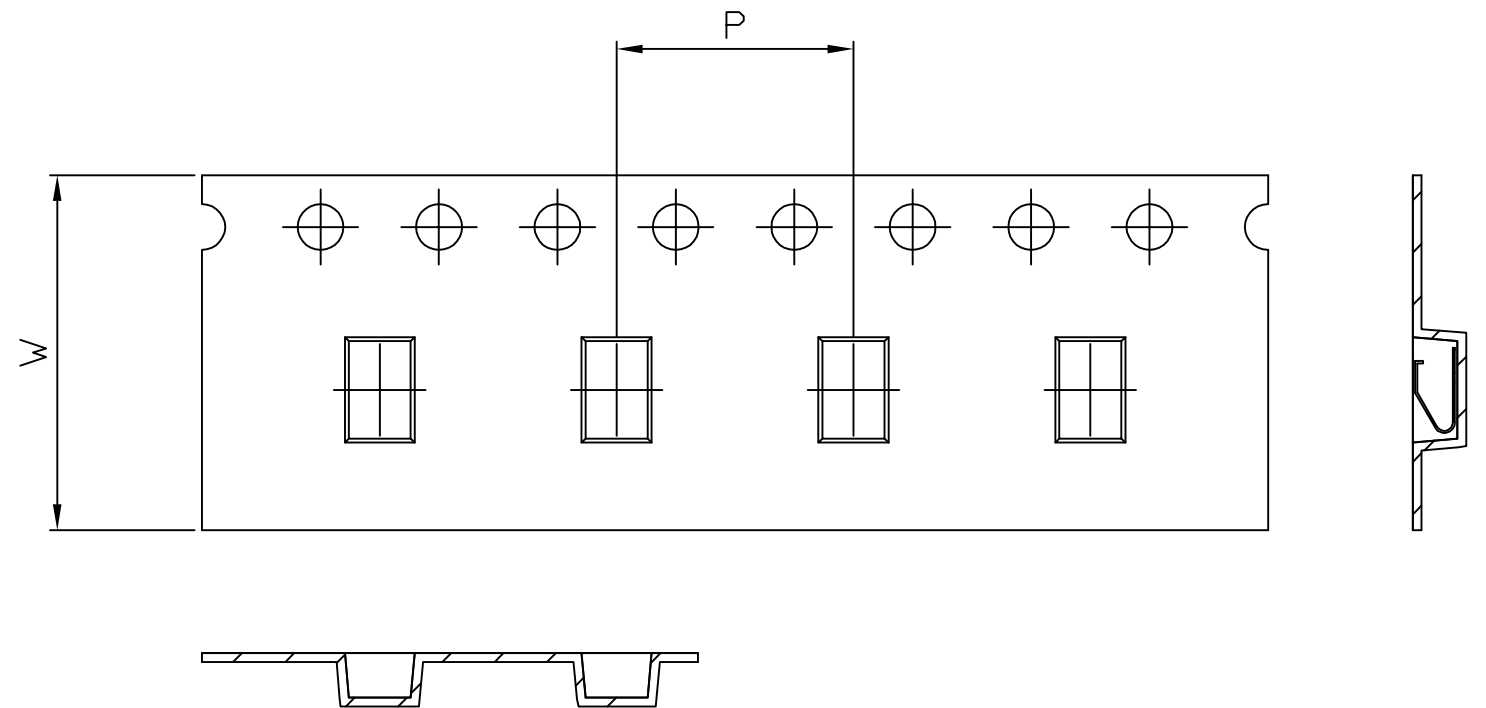
C

C



SOLDER PAD Dimension

Recommendation



B

B

A

A

PART NUMBER CONFIGURATION:

67 B X X XXX XX XXX XX R XX67 FOR GENERAL ELECTRONICS
68 FOR AUTOMOTIVE ELECTRONICS

MATERIAL: BECU

SHAPE TYPE

PLATING TYPE

PART WIDTH

VERSION CODE

PACKAGING: TAPE&REEL

PART THICKNESS

PART HEIGHT

PART LENGTH

UNITS: MM [INCH]

TOLERANCES:

XX = ±0.4

X.XX = ±0.2

X.XXX = ±0.1

ANGULAR:

X° = ±3°

X.X° = ±1.0°

Laird3RD ANGLE
PROJECTION

DESIGNED IN SOLIDWORKS

SCALE: 5:1

SHEET 1 OF 1

SIZE
B

LAIRD DRAWING NUMBER:

BCG-20X32X015-SALESTHIS IS AN UNCONTROLLED SALES DRAWING.
THE DIMENSIONAL CHARACTERISTICS AND TOLERANCES OF
THIS PART SHOWN ON THIS DRAWING AS A REFERENCE TO
THE DIMENSIONAL SPECIFICATIONS OF THE LAIRD STANDARD
PRODUCTION DRAWING FOR THIS PART. ANY SUBSEQUENT
CHANGES TO THE STANDARD PART SPECIFICATION WILL
SUPERSEDE THIS SALES DRAWING.

8

7

6

5

4

3

2

1