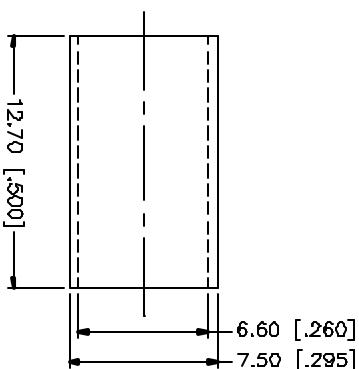
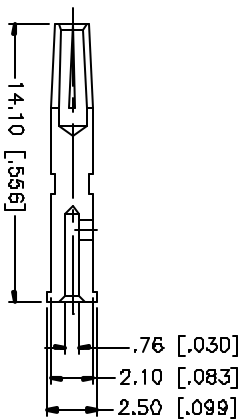
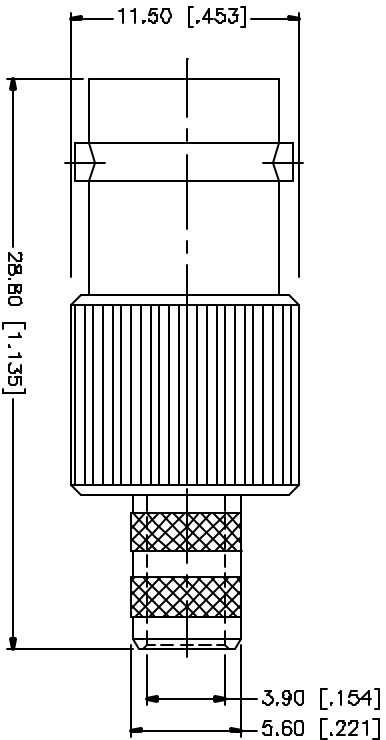
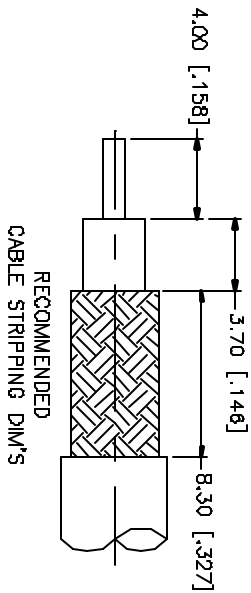


REV.	DATE	DESCRIPTION
NC	05/12/05	INITIAL RELEASE



NOTE:

1. CRIMPED FERRULE
HEX CRIMP SIZE .213"
2. CRIMPED CONTACT PIN
HEX CRIMP SIZE .068"

REV.	DATE	DESCRIPTION
8		
7		
6		
5		
4		
3		
2		
1		

DESCRIPTION	MATERIAL	FINISH	QTY
FERRULE	BRASS	NICKEL	1
CONTACT PIN	PHOS. BRONZE	GOLD	1
INSULATOR	TEFLON	NATURAL	1
HOUSING/BODY	BRASS	NICKEL	1

APPROVALS	DATE
DRAWN G.R.S.	05/12/05
CHECKED	
RELEASED	
SHEET 1 OF 1	

PART DESCRIPTION	PART NO.
BNC CRIMP JACK (FOR RG-59/U CABLE) 50ohms	112146

QAD FILE	DWG. NO.	REV.	SIZE	SCALE
C:/112/112146.DWG	112146.DWG	NC	A	NA

JANUS DIVERSITY SPECIFIC DIMENSIONS ARE IN MILLIMETERS UNLESS NOTED IN [] ARE IN INCHES AND FOR DIMENSIONS IN MILLIMETERS. DO NOT SCALE DRAWING.

JANUS DIVERSITY SPECIFIC DIMENSIONS FOR MILLIMETER ARE:
 0.5 - 8mm ± 0.20mm
 8 - 30mm ± 0.40mm
 30 - 120mm ± 0.50mm

JANUS DIVERSITY SPECIFIC DIMENSIONS FOR INCHES ARE:
 .020 - .315 = ± 0.007"
 .315 - 1.180 = ± 0.015"
 1.180 - 4.724 = ± 0.020"

Amphenol **Connex**