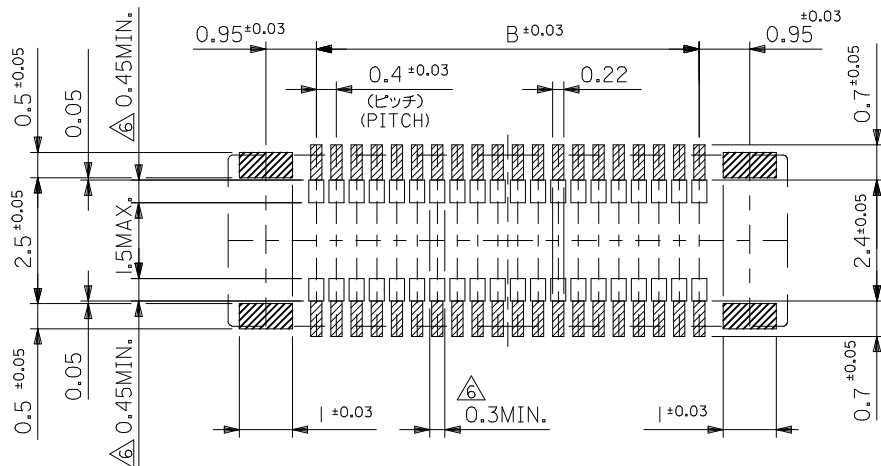


17.5	15.6	19.1	51338-0840	80
9.5	7.6	11.1	51338-0440	40
5.5	3.6	7.1	51338-0240	20
C	B	A	EMBOSSED TAPE PKG.	CKT.
			ORDER No. オーダー番号	
CONNECTOR SERIES No.			51338-**39	

RELEASED EC NO: J2015-0916 DRWN: YISHIDA 2015/01/15 CHKD: TASAKAWA 2015/01/15 APPR: KMORIKAWA 2015/02/18	GENERAL TOLERANCES (UNLESS SPECIFIED)		DIMENSION STYLE MM ONLY		SCALE ---	DESIGN UNITS METRIC	THIRD ANGLE PROJECTION
	0.25 UNDER	UNDER	±0.03	DRAWN BY	DATE	TITLE	
	0.25 OVER	0.5 UNDER	±0.05	YISHIDA	2015/01/15	0.4 B-TO-B REC ASSY HGT=1.5 J-BEND TAIL -LEAD FREE-	
	0.5 OVER	1.0 UNDER	±0.1	CHECKED BY	DATE	molex DOCUMENT NO. SD-51338-007 SHEET NO. 1 OF 2	
	1.0 OVER	10 UNDER	±0.2	TASAKAWA	2015/01/15		
10 OVER	30 UNDER	±0.25	APPROVED BY	DATE			
30 OVER		±0.3	KMORIKAWA	2015/02/18			
ANGULAR ±3 °			MATERIAL NO.				
DRAFT WHERE APPLICABLE MUST REMAIN WITHIN DIMENSIONS			SEE CHART				
			SIZE A3		THIS DRAWING CONTAINS INFORMATION THAT IS PROPRIETARY TO MOLEX INCORPORATED AND SHOULD NOT BE USED WITHOUT WRITTEN PERMISSION		

注記 NOTES:

1. 使用材料 MATERIAL
 ハウジング: 液晶ポリマー (LCP) ガラス充填 UL94V-0 (黒)
 HOUSING: LIQUID CRYSTAL POLYMER (GLASS FILLED)
 UL94V-0 (COLOR: BLACK)
 ターミナル: リン青銅 (t=0.15)
 TERMINAL: PHOSPHOR BRONZE (t=0.15)
 金具: リン青銅 (t=0.15)
 FITTING NAIL: PHOSPHOR BRONZE (t=0.15)
2. メッキ仕様 PLATING
 ターミナル TERMINAL
 コントクト部: 部分金めっき(0.381μm以上)
 CONTACT AREA: SEPARATED GOLD PLATING
 (0.381 MICROMETER MINIMUM)
 テール部: 部分金めっき
 SOLDER TAIL AREA: SEPARATED GOLD PLATING
 下地メッキ: ニッケルメッキ 1.5マイクロメートル以上
 UNDER PLATING: NICKEL 1.5MICROMETER MINIMUM
 * コントクト部とテール部はニッケルメッキによって分断されている金メッキです。
 DIVIDE INTO PARTS THE GOLD PLATING OF THE CONTACT AND THE TAIL PART BY THE NICKEL PLATING.
3. 金具 FITTING NAIL
 錫メッキ 1.0 マイクロメートル以上
 TIN PLATING 1.0 MICROMETER MINIMUM
 下地メッキ: ニッケルメッキ 1.0 マイクロメートル以上
 UNDER PLATING: NICKEL 1.0 MICROMETER MINIMUM
3. (全極数/2) = 偶数の場合に適用。
 APPLY FOR (CIRCUIT/2)=EVEN.
4. 嵌合相手: 55909シリーズ
 MATE WITH: 55909 SERIES.
5. テール平坦度は、0.08以下
 テール及び金具の平坦度は、0.1以下
 TAIL COPLANARITY TO BE 0.08MAXIMUM
 TAIL AND FITTING NAIL COPLANARITY TO BE 0.1MAXIMUM
6. 同一回路以外のパターン書込み禁止範囲を示す。
 NO PRINT CIRCUIT AREA OTHER THAN THE SAME CIRCUIT.

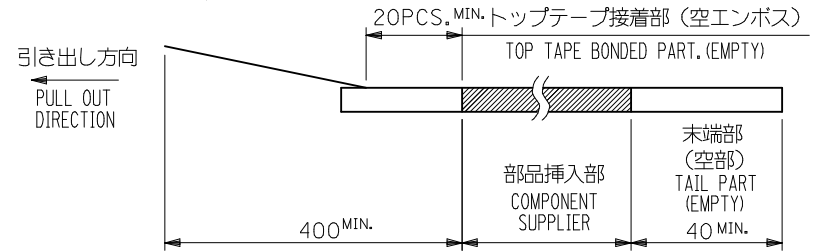


参考基板レイアウト (マウント面)
 P.C.BOARD PATTERN DIMENSION. (REFERENCE)
 (MOUNTING AREA)

SEE SHEET 1 OF 2 EC NO: J2015-0916 DRWN: YISHIDA 2015/01/15 CHKD: TASAKAWA 2015/01/15 APPR: KMORIKAWA 2015/02/18	GENERAL TOLERANCES (UNLESS SPECIFIED)		DIMENSION STYLE MM ONLY		51338-**39		MODEL NO.	
	0.25 UNDER	UNDER	±0.03	DRAWN BY	DATE	SCALE	DESIGN UNITS	THIRD ANGLE PROJECTION
	0.25 OVER	0.5 UNDER	±0.05	YISHIDA	2015/01/15	---	METRIC	
	0.5 OVER	1.0 UNDER	±0.1	CHECKED BY	DATE	TITLE 0.4 B-TO-B REC ASSY HGT=1.5 J-BEND TAIL -LEAD FREE-		
1.0 OVER	10 UNDER	±0.2	TASAKAWA	2015/01/15				
10 OVER	30 UNDER	±0.25	APPROVED BY	DATE	DOCUMENT NO. SD-51338-007			
30 OVER		±0.3	KMORIKAWA	2015/02/18				
ANGULAR	±3 °		MATERIAL NO. SEE SHEET 1		SHEET NO. 2 OF 2			
DRAFT WHERE APPLICABLE MUST REMAIN WITHIN DIMENSIONS			SIZE A3	THIS DRAWING CONTAINS INFORMATION THAT IS PROPRIETARY TO MOLEX INCORPORATED AND SHOULD NOT BE USED WITHOUT WRITTEN PERMISSION				

NOTES

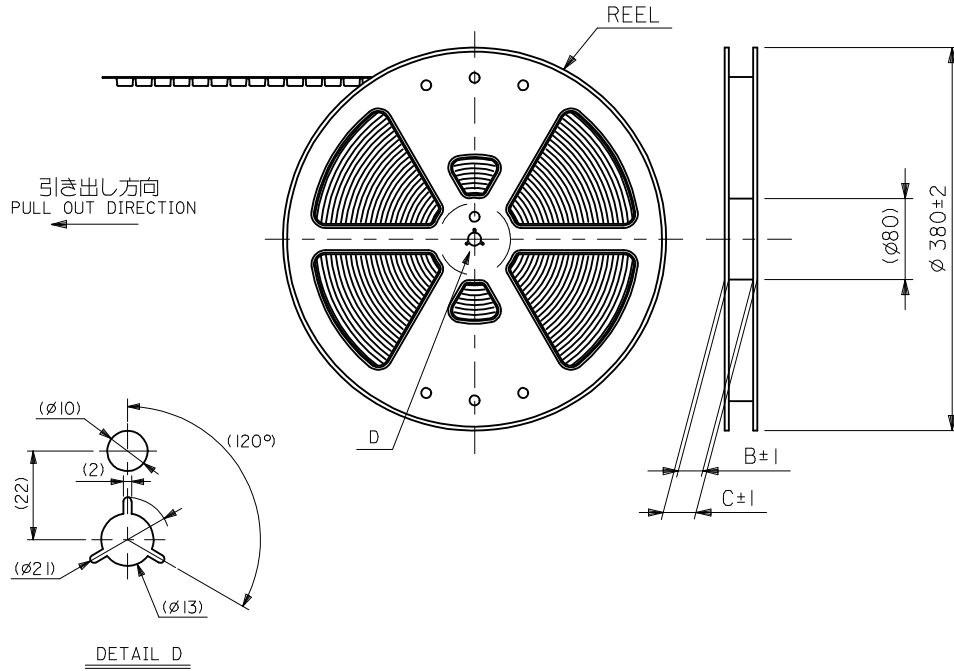
- 製品詳細寸法については製品単体図面を参照下さい。
RE DETAILED DIMENSION, SEE PRODUCT DRAWING.
- 梱包数量：2500個/リール
NUMBER OF CONNECTORS : 2500PCS/REEL
- リードテープ長さ LEAD TAPE LENGTH



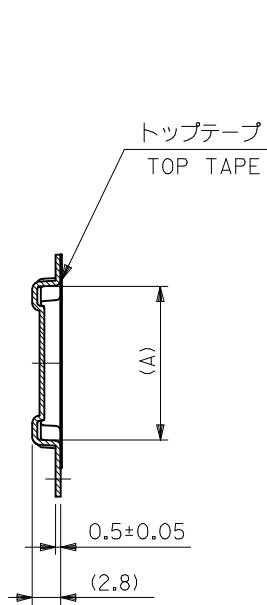
- トップテープの剥離強度については、IEC60286-3に準拠。
TOP TAPE PEEL FORCE IS DEFINED BY IEC60286-3.

- 材料
キャリアテープ (CARRIER TAPE) : ポリプロピレン (POLYPROPYLENE)
トップテープ (TOPTAPE) : PET, PE, PEF
リール (REEL) : ポリスチレン (PS) <リサイクル材を含む>
POLYSTYRENE (PS) <RECYCLE MATERIAL CONTAINED>

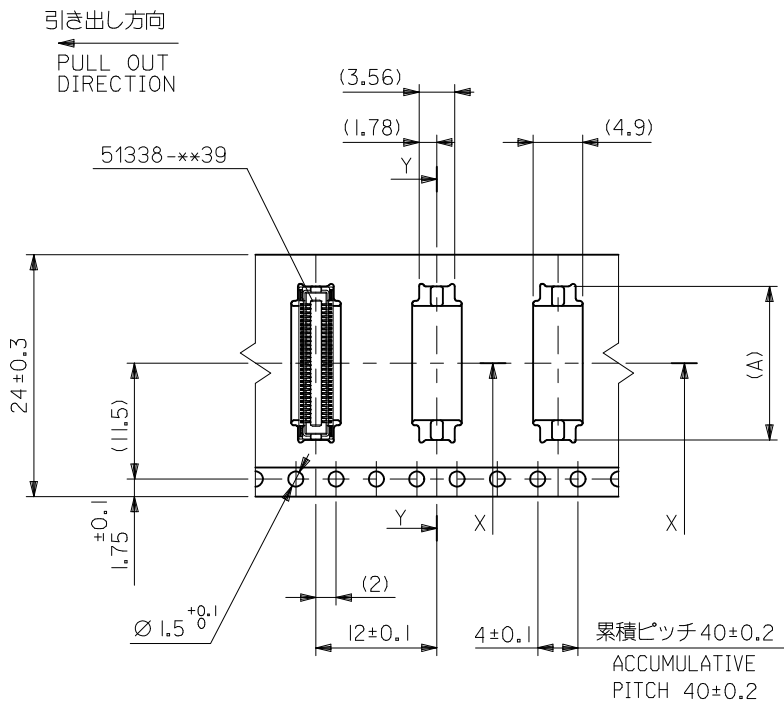
- ELV 及び RoHS 適合品。
ELV AND RoHS COMPLIANT.



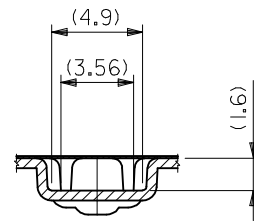
RELEASED EC NO: J2015-0916 DRWN: YISHIDA 2015/01/15 CHKD: TASAKAWA 2015/01/15 APPR: KMORIKAWA 2015/02/18	GENERAL TOLERANCES (UNLESS SPECIFIED)			DIMENSION STYLE MM ONLY		SCALE ---	DESIGN UNITS METRIC	THIRD ANGLE PROJECTION
	0.25 UNDER	UNDER	±0.03	DRAWN BY	DATE	TITLE		
	0.25 OVER	0.5 UNDER	±0.05	YISHIDA	2015/01/15	0.4 B-TO-B CONN. REC ASSY(HGT=1.5) EMBSTP PKG		
	0.5 OVER	1.0 UNDER	±0.1	CHECKED BY	DATE			
	1.0 OVER	10 UNDER	±0.2	TASAKAWA	2015/01/15			
	10 OVER	30 UNDER	±0.25	APPROVED BY	DATE			
30 OVER		±0.3	KMORIKAWA	2015/02/18	MATERIAL NO.	DOCUMENT NO.	SHEET NO.	
ANGULAR	±3 °		SEE CHART		SD-51338-008		1 OF 3	
DRAFT WHERE APPLICABLE MUST REMAIN WITHIN DIMENSIONS				SIZE A3	THIS DRAWING CONTAINS INFORMATION THAT IS PROPRIETARY TO MOLEX INCORPORATED AND SHOULD NOT BE USED WITHOUT WRITTEN PERMISSION			



SECT:Y-Y



24mm幅キャリアテープ
24mm WIDTH CARRIER TAPE



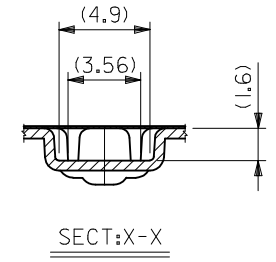
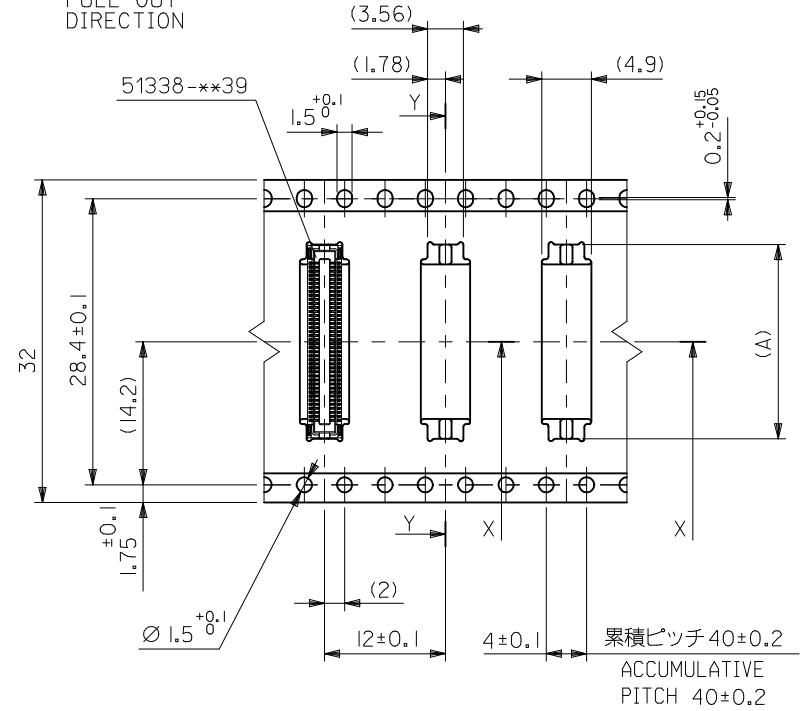
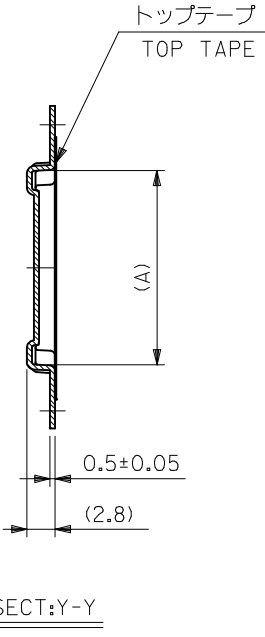
SECT:X-X

24	29.4	25.4	11.26	51338-0440	40
			7.26	51338-0240	20
キャリアテープ幅 CARRIER TAPE WIDTH	C	B	(A)	EMBOSSED PACKAGE ORDER NO. オ-ダ-番号	CKT.

CONNECTOR SERIES No. 51338-***39

SEE SHEET 1 OF 3 EC NO: J2015-0916 DRWN: YISHIDA 2015/01/15 CHKD: TASAKAWA 2015/01/15 APPR: KMORIKAWA 2015/02/18	GENERAL TOLERANCES (UNLESS SPECIFIED)			DIMENSION STYLE MM ONLY		SCALE ---	DESIGN UNITS METRIC	THIRD ANGLE PROJECTION
	0.25 UNDER	UNDER	±0.03	DRAWN BY	DATE	TITLE		
	0.25 OVER	0.5 UNDER	±0.05	YISHIDA	2015/01/15	0.4 B-TO-B CONN. REC ASSY(HGT=1.5) EMBSTP PKG		
	0.5 OVER	1.0 UNDER	±0.1	CHECKED BY	DATE			
	1.0 OVER	10 UNDER	±0.2	TASAKAWA	2015/01/15			
10 OVER	30 UNDER	±0.25	APPROVED BY	DATE				
30 OVER		±0.3	KMORIKAWA	2015/02/18				
ANGULAR	±3 °		MATERIAL NO.		DOCUMENT NO.		SHEET NO.	
DRAFT WHERE APPLICABLE MUST REMAIN WITHIN DIMENSIONS			SEE CHART		SD-51338-008		2 OF 3	
			THIS DRAWING CONTAINS INFORMATION THAT IS PROPRIETARY TO MOLEX INCORPORATED AND SHOULD NOT BE USED WITHOUT WRITTEN PERMISSION					

引き出し方向
PULL OUT
DIRECTION



32mm幅キャリアテープ
32mm WIDTH CARRIER TAPE

32	37.4	33.4	19.26	51338-0840	80
キャリアテープ幅 CARRIER TAPE WIDTH	C	B	(A)	MATERIAL NO.	極数 CKT.

SEE SHEET 1 OF 3 EC NO.: J2015-0916 DRWN: YISHIDA 2015/01/15 CHKD: TASAKAWA 2015/01/15 APPR: KMORIKAWA 2015/02/18	GENERAL TOLERANCES (UNLESS SPECIFIED)			DIMENSION STYLE MM ONLY		SCALE ---	MODEL NO. 51338-**39
	0.25 UNDER	UNDER	±0.03	DRAWN BY	DATE	TITLE	0.4 B-TO-B REC ASSY EMBSTP PKG molex DOCUMENT NO. SD-51338-008 SHEET NO. 3 OF 3
	0.25 OVER	0.5 UNDER	±0.05	YISHIDA	2015/01/15		
	0.5 OVER	1.0 UNDER	±0.1	CHECKED BY	DATE		
	1.0 OVER	10 UNDER	±0.2	TASAKAWA	2015/01/15		
10 OVER	30 UNDER	±0.25	APPROVED BY	DATE			
30 OVER		±0.3	KMORIKAWA	2015/02/18			
ANGULAR	±3 °		MATERIAL NO.				
DRAFT WHERE APPLICABLE MUST REMAIN WITHIN DIMENSIONS			SIZE A3	THIS DRAWING CONTAINS INFORMATION THAT IS PROPRIETARY TO MOLEX INCORPORATED AND SHOULD NOT BE USED WITHOUT WRITTEN PERMISSION			