

# Medium Power Field Effect Transistor

## N-Channel Enhancement Mode

### Silicon Gate TMOS E-FET™

### SOT-223 for Surface Mount

**MMFT1N10E**

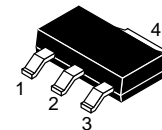
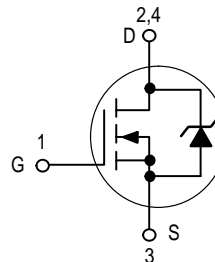
Motorola Preferred Device

This advanced E-FET is a TMOS Medium Power MOSFET designed to withstand high energy in the avalanche and commutation modes. This new energy efficient device also offers a drain-to-source diode with a fast recovery time. Designed for low voltage, high speed switching applications in power supplies, dc-dc converters and PWM motor controls, these devices are particularly well suited for bridge circuits where diode speed and commutating safe operating areas are critical and offer additional safety margin against unexpected voltage transients. The device is housed in the SOT-223 package which is designed for medium power surface mount applications.



**MEDIUM POWER**  
**TMOS FET**  
**1 AMP**  
**100 VOLTS**  
**R<sub>DS(on)</sub> = 0.25 OHM**

- Silicon Gate for Fast Switching Speeds
- Low R<sub>DS(on)</sub> — 0.25 Ω max
- The SOT-223 Package can be Soldered Using Wave or Re-flow. The Formed Leads Absorb Thermal Stress During Soldering, Eliminating the Possibility of Damage to the Die
- Available in 12 mm Tape and Reel  
Use MMFT1N10ET1 to order the 7 inch/1000 unit reel.  
Use MMFT1N10ET3 to order the 13 inch/4000 unit reel.



**CASE 318E-04, STYLE 3**  
**TO-261AA**

#### MAXIMUM RATINGS (T<sub>A</sub> = 25°C unless otherwise noted)

| Rating   | Symbol                            | Value      | Unit           |
|--|-----------------------------------|------------|----------------|
| Drain-to-Source Voltage  | V <sub>DS</sub>                   | 100        | Vdc            |
| Gate-to-Source Voltage — Continuous  | V <sub>GS</sub>                   | ±20        |                |
| Drain Current — Continuous<br>— Pulsed   | I <sub>D</sub><br>I <sub>DM</sub> | 1<br>4     | Adc            |
| Total Power Dissipation @ T <sub>A</sub> = 25°C<br>Derate above 25°C   | P <sub>D</sub> (1)                | 0.8<br>6.4 | Watts<br>mW/°C |
| Operating and Storage Temperature Range  | T <sub>J</sub> , T <sub>stg</sub> | -65 to 150 | °C             |
| Single Pulse Drain-to-Source Avalanche Energy — Starting T <sub>J</sub> = 25°C<br>(V <sub>DD</sub> = 60 V, V <sub>GS</sub> = 10 V, Peak I <sub>L</sub> = 1 A, L = 0.2 mH, R <sub>G</sub> = 25 Ω) | E <sub>AS</sub>                   | 168        | mJ             |

#### DEVICE MARKING

1N10

#### THERMAL CHARACTERISTICS

|  |                  |           |           |
|--|------------------|-----------|-----------|
| Thermal Resistance — Junction-to-Ambient (surface mounted)         | R <sub>θJA</sub> | 156       | °C/W      |
| Maximum Temperature for Soldering Purposes,<br>Time in Solder Bath | T <sub>L</sub>   | 260<br>10 | °C<br>Sec |

(1) Power rating when mounted on FR-4 glass epoxy printed circuit board using recommended footprint.

TMOS is a registered trademark of Motorola, Inc.  
E-FET is a trademark of Motorola, Inc.  
Thermal Clad is a trademark of the Bergquist Company

Preferred devices are Motorola recommended choices for future use and best overall value.

REV 3

# MMFT1N10E

## ELECTRICAL CHARACTERISTICS (T<sub>A</sub> = 25°C unless otherwise noted)

| Characteristic | Symbol | Min | Typ | Max | Unit |
|----------------|--------|-----|-----|-----|------|
|----------------|--------|-----|-----|-----|------|

### OFF CHARACTERISTICS

|   |                      |     |   |     |      |
|---|----------------------|-----|---|-----|------|
| Drain-to-Source Breakdown Voltage, (V <sub>GS</sub> = 0, I <sub>D</sub> = 250 μA) | V <sub>(BR)DSS</sub> | 100 | — | —   | Vdc  |
| Zero Gate Voltage Drain Current, (V <sub>DS</sub> = 100 V, V <sub>GS</sub> = 0)   | I <sub>DSS</sub>     | —   | — | 10  | μAdc |
| Gate-Body Leakage Current, (V <sub>GS</sub> = 20 V, V <sub>DS</sub> = 0)          | I <sub>GSS</sub>     | —   | — | 100 | nAdc |

### ON CHARACTERISTICS

|  |                     |   |     |      |      |
|--|---------------------|---|-----|------|------|
| Gate Threshold Voltage, (V <sub>DS</sub> = V <sub>GS</sub> , I <sub>D</sub> = 1 mA)    | V <sub>GS(th)</sub> | 2 | —   | 4.5  | Vdc  |
| Static Drain-to-Source On-Resistance, (V <sub>GS</sub> = 10 V, I <sub>D</sub> = 0.5 A) | R <sub>DS(on)</sub> | — | —   | 0.25 | Ohms |
| Drain-to-Source On-Voltage, (V <sub>GS</sub> = 10 V, I <sub>D</sub> = 1 A)             | V <sub>DS(on)</sub> | — | —   | 0.33 | Vdc  |
| Forward Transconductance, (V <sub>DS</sub> = 10 V, I <sub>D</sub> = 0.5 A)             | g <sub>FS</sub>     | — | 2.2 | —    | mhos |

### DYNAMIC CHARACTERISTICS

|                              |  |                  |   |     |   |    |
|------------------------------|--|------------------|---|-----|---|----|
| Input Capacitance            | (V <sub>DS</sub> = 20 V,<br>V <sub>GS</sub> = 0,<br>f = 1 MHz) | C <sub>iss</sub> | — | 410 | — | pF |
| Output Capacitance           |  | C <sub>oss</sub> | — | 145 | — |    |
| Reverse Transfer Capacitance |  | C <sub>rss</sub> | — | 55  | — |    |

### SWITCHING CHARACTERISTICS

|                     |  |                     |   |     |   |    |
|---------------------|--|---------------------|---|-----|---|----|
| Turn-On Delay Time  | (V <sub>DD</sub> = 25 V, I <sub>D</sub> = 0.5 A<br>V <sub>GS</sub> = 10 V, R <sub>G</sub> = 50 ohms,<br>R <sub>GS</sub> = 25 ohms) | t <sub>d(on)</sub>  | — | 15  | — | ns |
| Rise Time           |  | t <sub>r</sub>      | — | 15  | — |    |
| Turn-Off Delay Time |  | t <sub>d(off)</sub> | — | 30  | — |    |
| Fall Time           |  | t <sub>f</sub>      | — | 32  | — |    |
| Total Gate Charge   | (V <sub>DS</sub> = 80 V, I <sub>D</sub> = 1 A,<br>V <sub>GS</sub> = 10 Vdc)<br>See Figures 15 and 16                               | Q <sub>g</sub>      | — | 7   | — | nC |
| Gate-Source Charge  |  | Q <sub>gs</sub>     | — | 1.3 | — |    |
| Gate-Drain Charge   |  | Q <sub>gd</sub>     | — | 3.2 | — |    |

### SOURCE DRAIN DIODE CHARACTERISTICS(1)

|                       |  |                 |                             |     |   |     |
|-----------------------|--|-----------------|-----------------------------|-----|---|-----|
| Forward On-Voltage    | I <sub>S</sub> = 1 A, V <sub>GS</sub> = 0  | V <sub>SD</sub> | —                           | 0.8 | — | Vdc |
| Forward Turn-On Time  | I <sub>S</sub> = 1 A, V <sub>GS</sub> = 0,<br>di <sub>S</sub> /dt = 400 A/μs,<br>V <sub>R</sub> = 50 V | t <sub>on</sub> | Limited by stray inductance |     |   |     |
| Reverse Recovery Time |  | t <sub>rr</sub> | —                           | 90  | — | ns  |

(1) Pulse Test: Pulse Width ≤ 300 μs, Duty Cycle ≤ 2%

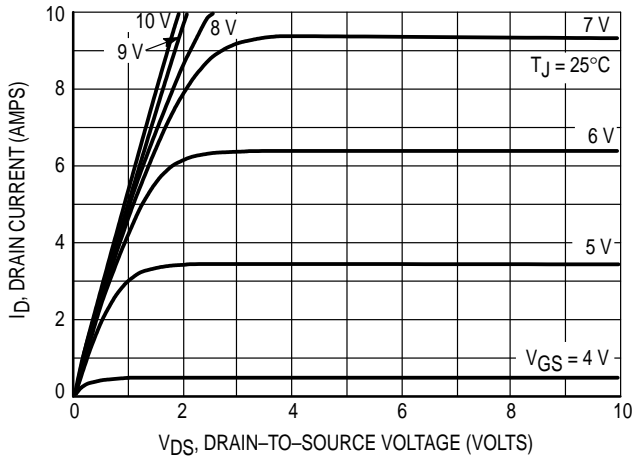


Figure 1. On Region Characteristics

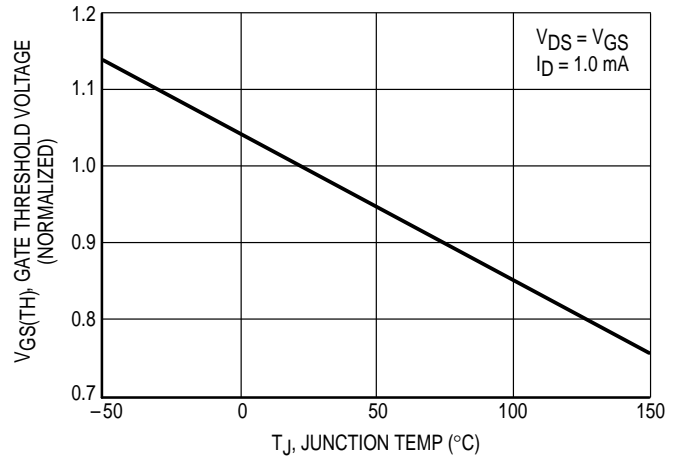


Figure 2. Gate-Threshold Voltage Variation With Temperature

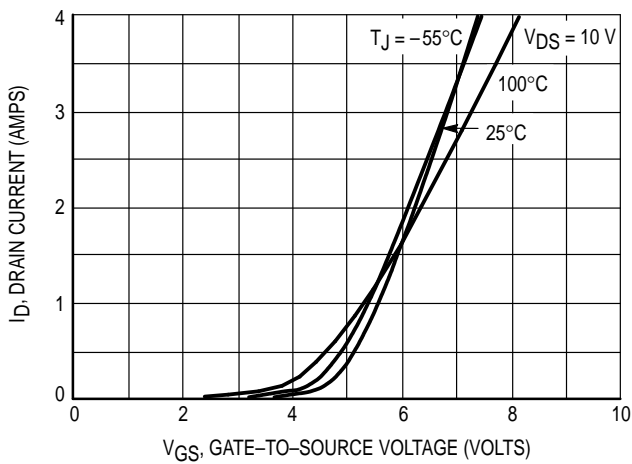


Figure 3. Transfer Characteristics

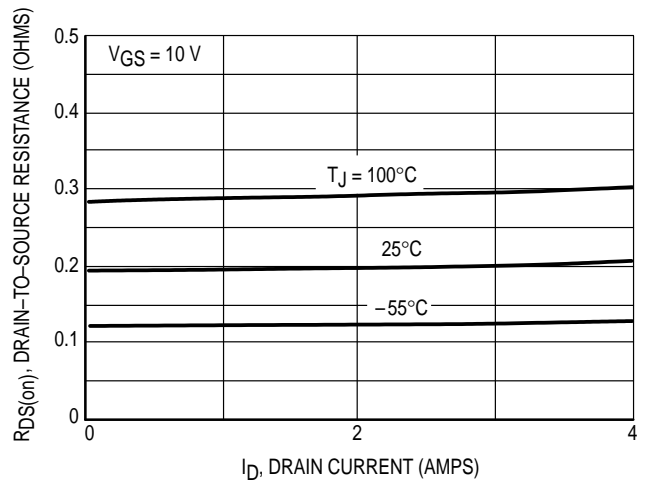


Figure 4. On-Resistance versus Drain Current

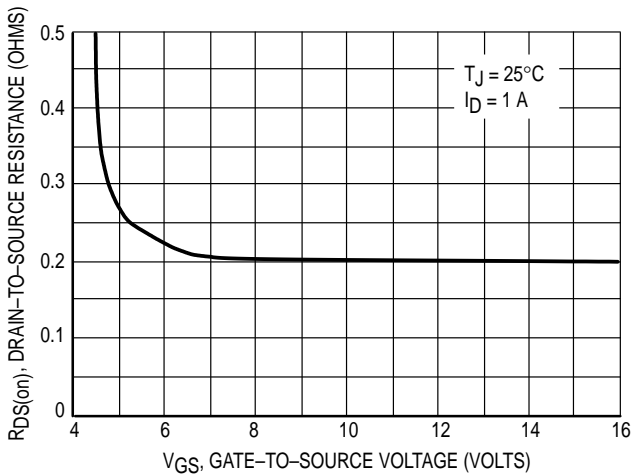


Figure 5. On-Resistance versus Gate-to-Source Voltage

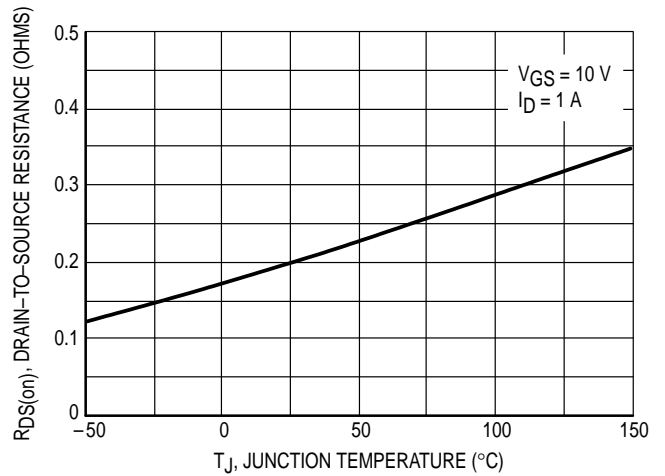


Figure 6. On-Resistance versus Junction Temperature

# MMFT1N10E

## FORWARD BIASED SAFE OPERATING AREA

The FBSOA curves define the maximum drain-to-source voltage and drain current that a device can safely handle when it is forward biased, or when it is on, or being turned on. Because these curves include the limitations of simultaneous high voltage and high current, up to the rating of the device, they are especially useful to designers of linear systems. The curves are based on an ambient temperature of 25°C and a maximum junction temperature of 150°C. Limitations for repetitive pulses at various ambient temperatures can be determined by using the thermal response curves. Motorola Application Note, AN569, "Transient Thermal Resistance—General Data and Its Use" provides detailed instructions.

## SWITCHING SAFE OPERATING AREA

The switching safe operating area (SOA) is the boundary that the load line may traverse without incurring damage to the MOSFET. The fundamental limits are the peak current,  $I_{DM}$  and the breakdown voltage,  $BV_{DSS}$ . The switching SOA is applicable for both turn-on and turn-off of the devices for switching times less than one microsecond.

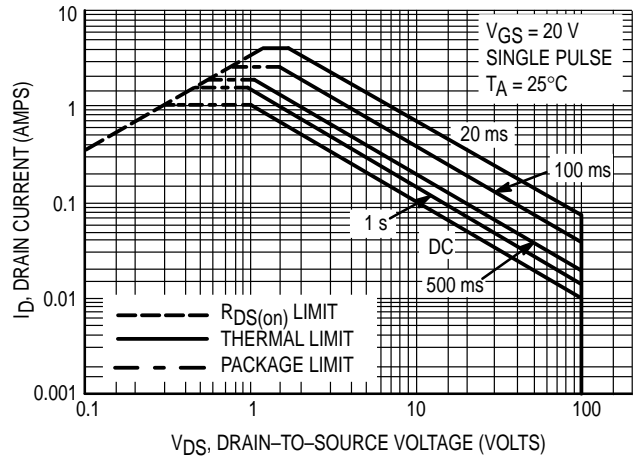


Figure 7. Maximum Rated Forward Biased Safe Operating Area

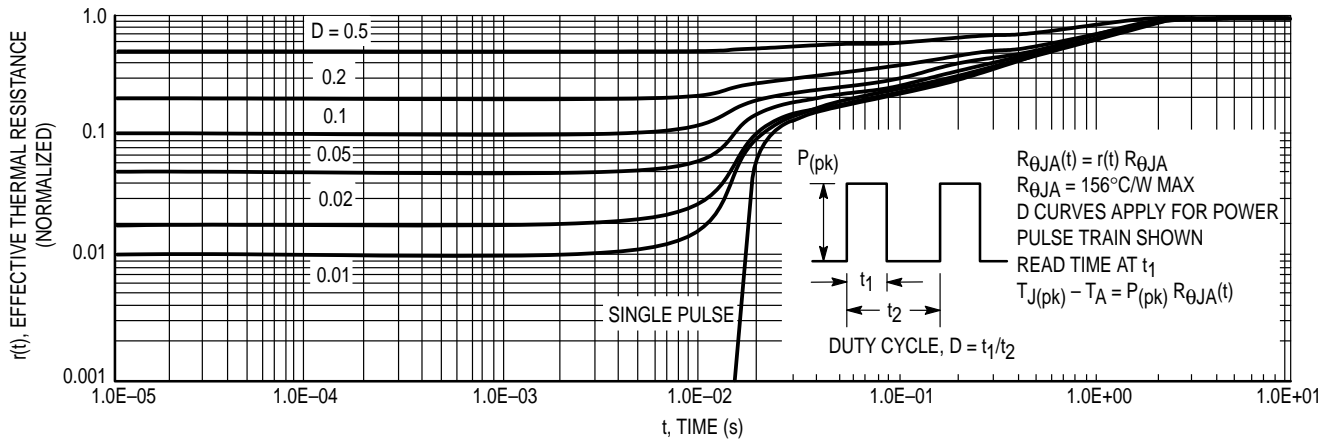


Figure 8. Thermal Response

## COMMUTATING SAFE OPERATING AREA (CSOA)

The Commutating Safe Operating Area (CSOA) of Figure 10 defines the limits of safe operation for commutated source-drain current versus re-applied drain voltage when the source-drain diode has undergone forward bias. The curve shows the limitations of  $I_{FM}$  and peak  $V_{DS}$  for a given rate of change of source current. It is applicable when waveforms similar to those of Figure 9 are present. Full or half-bridge PWM DC motor controllers are common applications requiring CSOA data.

Device stresses increase with increasing rate of change of source current so  $dI_S/dt$  is specified with a maximum value. Higher values of  $dI_S/dt$  require an appropriate derating of  $I_{FM}$ , peak  $V_{DS}$  or both. Ultimately  $dI_S/dt$  is limited primarily by device, package, and circuit impedances. Maximum device stress occurs during  $t_{rr}$  as the diode goes from conduction to reverse blocking.

$V_{DS(pk)}$  is the peak drain-to-source voltage that the device must sustain during commutation;  $I_{FM}$  is the maximum forward source-drain diode current just prior to the onset of commutation.

$V_R$  is specified at 80% rated  $BV_{DSS}$  to ensure that the CSOA stress is maximized as  $I_S$  decays from  $I_{RM}$  to zero.

$R_{GS}$  should be minimized during commutation.  $T_J$  has only a second order effect on CSOA.

Stray inductances in Motorola's test circuit are assumed to be practical minimums.  $dV_{DS}/dt$  in excess of 10 V/ns was attained with  $dI_S/dt$  of 400 A/ $\mu$ s.

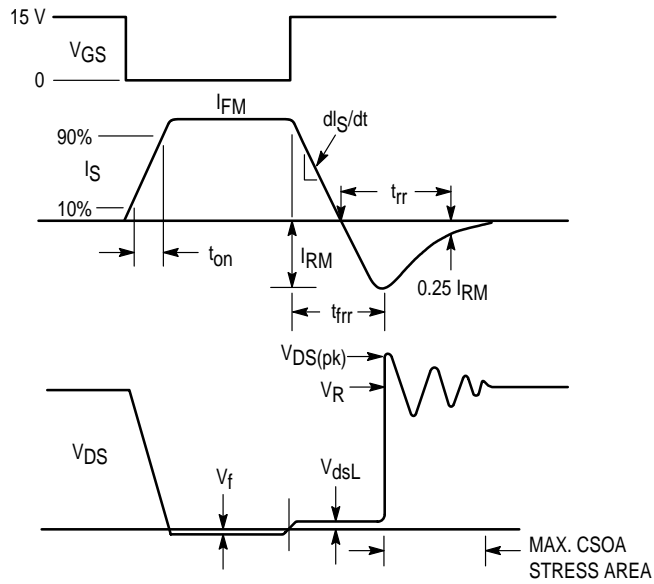


Figure 9. Commutating Waveforms

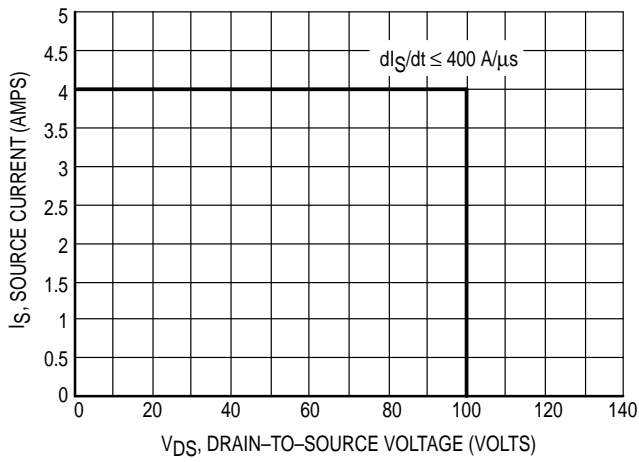


Figure 10. Commutating Safe Operating Area (CSOA)

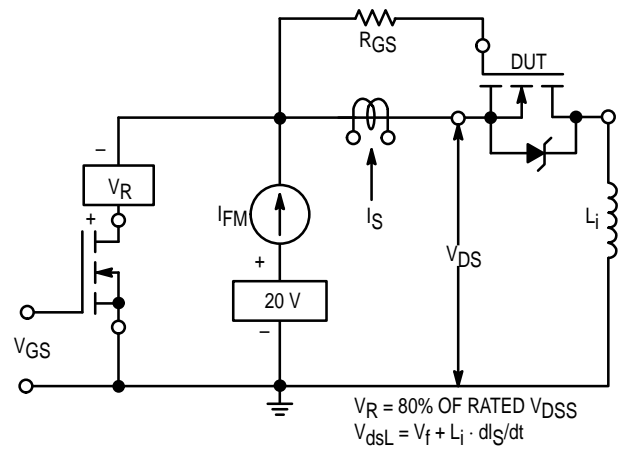


Figure 11. Commutating Safe Operating Area Test Circuit

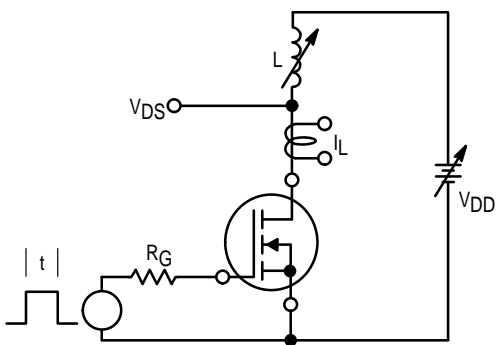


Figure 12. Unclamped Inductive Switching Test Circuit

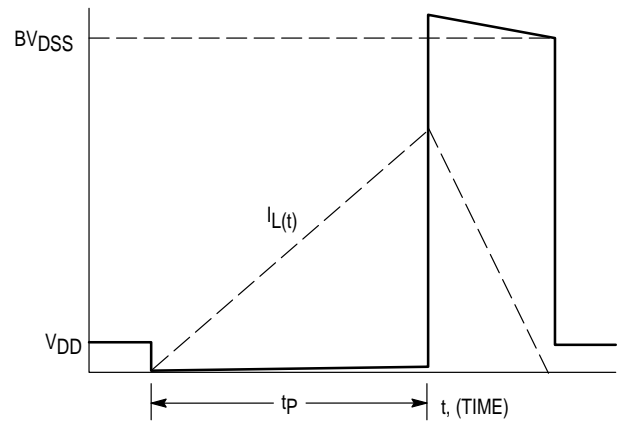


Figure 13. Unclamped Inductive Switching Waveforms

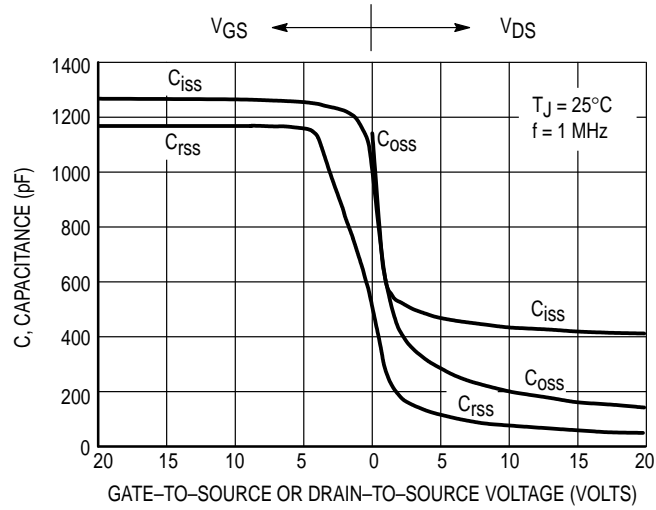


Figure 14. Capacitance Variation With Voltage

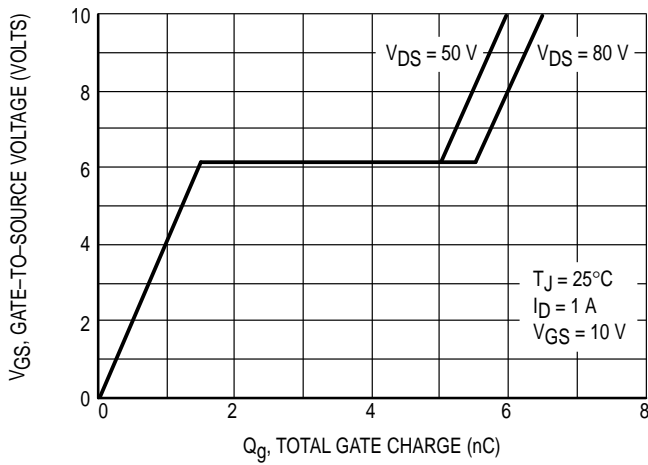


Figure 15. Gate Charge versus Gate-To-Source Voltage

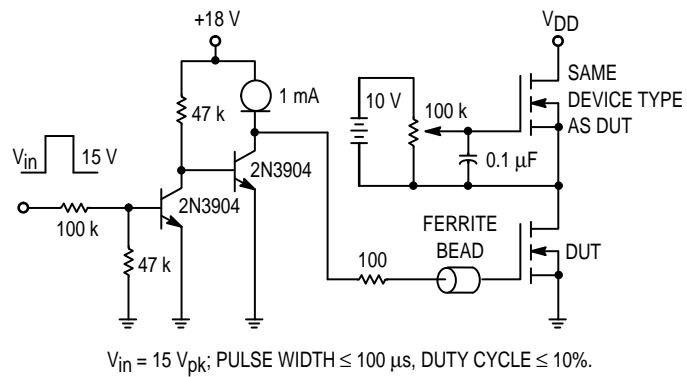


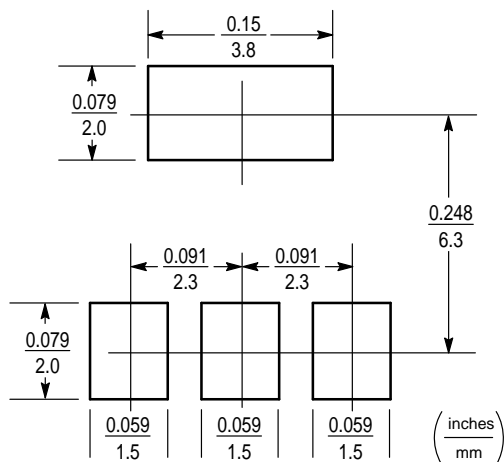
Figure 16. Gate Charge Test Circuit

## INFORMATION FOR USING THE SOT-223 SURFACE MOUNT PACKAGE

### MINIMUM RECOMMENDED FOOTPRINT FOR SURFACE MOUNTED APPLICATIONS

Surface mount board layout is a critical portion of the total design. The footprint for the semiconductor packages must be the correct size to insure proper solder connection interface

between the board and the package. With the correct pad geometry, the packages will self align when subjected to a solder reflow process.



**SOT-223**

### SOT-223 POWER DISSIPATION

The power dissipation of the SOT-223 is a function of the drain pad size. This can vary from the minimum pad size for soldering to a pad size given for maximum power dissipation. Power dissipation for a surface mount device is determined by  $T_{J(max)}$ , the maximum rated junction temperature of the die,  $R_{\theta JA}$ , the thermal resistance from the device junction to ambient, and the operating temperature,  $T_A$ . Using the values provided on the data sheet for the SOT-223 package,  $P_D$  can be calculated as follows:

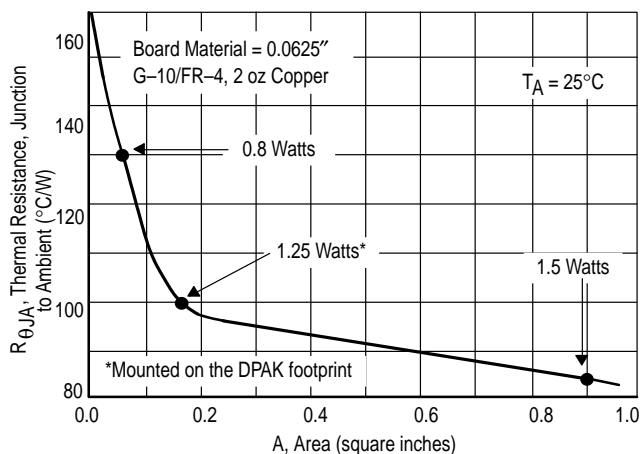
$$P_D = \frac{T_{J(max)} - T_A}{R_{\theta JA}}$$

The values for the equation are found in the maximum ratings table on the data sheet. Substituting these values into the equation for an ambient temperature  $T_A$  of 25°C, one can calculate the power dissipation of the device which in this case is 800 milliwatts.

$$P_D = \frac{150^\circ\text{C} - 25^\circ\text{C}}{156^\circ\text{C/W}} = 800 \text{ milliwatts}$$

The 156°C/W for the SOT-223 package assumes the use of the recommended footprint on a glass epoxy printed circuit board to achieve a power dissipation of 800 milliwatts. There are other alternatives to achieving higher power dissipation from the SOT-223 package. One is to increase the area of the drain pad. By increasing the area of the drain pad, the power

dissipation can be increased. Although one can almost double the power dissipation with this method, one will be giving up area on the printed circuit board which can defeat the purpose of using surface mount technology. A graph of  $R_{\theta JA}$  versus drain pad area is shown in Figure 17.



**Figure 17. Thermal Resistance versus Drain Pad Area for the SOT-223 Package (Typical)**

Another alternative would be to use a ceramic substrate or an aluminum core board such as Thermal Clad™. Using a board material such as Thermal Clad, an aluminum core board, the power dissipation can be doubled using the same footprint.

## SOLDER STENCIL GUIDELINES

Prior to placing surface mount components onto a printed circuit board, solder paste must be applied to the pads. A solder stencil is required to screen the optimum amount of solder paste onto the footprint. The stencil is made of brass or

stainless steel with a typical thickness of 0.008 inches. The stencil opening size for the SOT-223 package should be the same as the pad size on the printed circuit board, i.e., a 1:1 registration.

## SOLDERING PRECAUTIONS

The melting temperature of solder is higher than the rated temperature of the device. When the entire device is heated to a high temperature, failure to complete soldering within a short time could result in device failure. Therefore, the following items should always be observed in order to minimize the thermal stress to which the devices are subjected.

- Always preheat the device.
- The delta temperature between the preheat and soldering should be 100°C or less.\*
- When preheating and soldering, the temperature of the leads and the case must not exceed the maximum temperature ratings as shown on the data sheet. When using infrared heating with the reflow soldering method, the difference shall be a maximum of 10°C.

- The soldering temperature and time shall not exceed 260°C for more than 10 seconds.
- When shifting from preheating to soldering, the maximum temperature gradient shall be 5°C or less.
- After soldering has been completed, the device should be allowed to cool naturally for at least three minutes. Gradual cooling should be used as the use of forced cooling will increase the temperature gradient and result in latent failure due to mechanical stress.
- Mechanical stress or shock should not be applied during cooling

\* Soldering a device without preheating can cause excessive thermal shock and stress which can result in damage to the device.

## TYPICAL SOLDER HEATING PROFILE

For any given circuit board, there will be a group of control settings that will give the desired heat pattern. The operator must set temperatures for several heating zones, and a figure for belt speed. Taken together, these control settings make up a heating "profile" for that particular circuit board. On machines controlled by a computer, the computer remembers these profiles from one operating session to the next. Figure 18 shows a typical heating profile for use when soldering a surface mount device to a printed circuit board. This profile will vary among soldering systems but it is a good starting point. Factors that can affect the profile include the type of soldering system in use, density and types of components on the board, type of solder used, and the type of board or substrate material being used. This profile shows temperature versus time. The

line on the graph shows the actual temperature that might be experienced on the surface of a test board at or near a central solder joint. The two profiles are based on a high density and a low density board. The Vitronics SMD310 convection/infrared reflow soldering system was used to generate this profile. The type of solder used was 62/36/2 Tin Lead Silver with a melting point between 177–189°C. When this type of furnace is used for solder reflow work, the circuit boards and solder joints tend to heat first. The components on the board are then heated by conduction. The circuit board, because it has a large surface area, absorbs the thermal energy more efficiently, then distributes this energy to the components. Because of this effect, the main body of a component may be up to 30 degrees cooler than the adjacent solder joints.

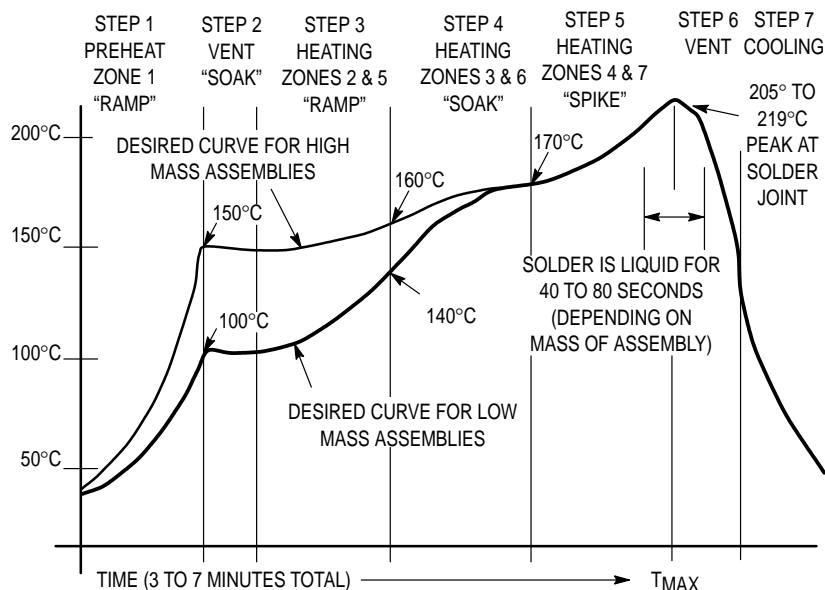
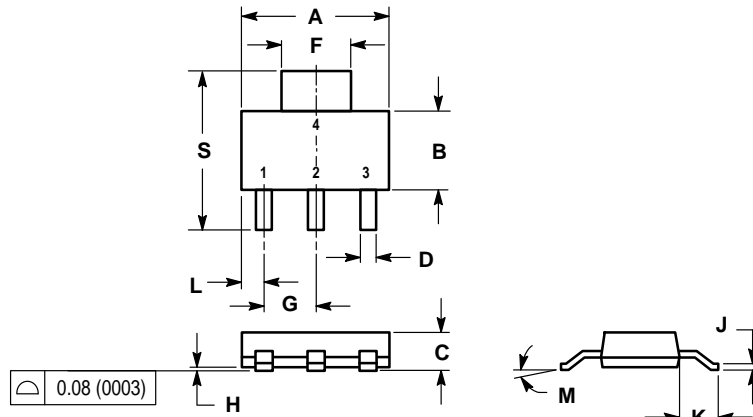


Figure 18. Typical Solder Heating Profile



PACKAGE DIMENSIONS




- NOTES:  
 1. DIMENSIONING AND TOLERANCING PER ANSI Y14.5M, 1982.  
 2. CONTROLLING DIMENSION: INCH.

| DIM | INCHES |        | MILLIMETERS |       |
|-----|--------|--------|-------------|-------|
|     | MIN    | MAX    | MIN         | MAX   |
| A   | 0.249  | 0.263  | 6.30        | 6.70  |
| B   | 0.130  | 0.145  | 3.30        | 3.70  |
| C   | 0.060  | 0.068  | 1.50        | 1.75  |
| D   | 0.024  | 0.035  | 0.60        | 0.89  |
| F   | 0.115  | 0.126  | 2.90        | 3.20  |
| G   | 0.087  | 0.094  | 2.20        | 2.40  |
| H   | 0.0008 | 0.0040 | 0.020       | 0.100 |
| J   | 0.009  | 0.014  | 0.24        | 0.35  |
| K   | 0.060  | 0.078  | 1.50        | 2.00  |
| L   | 0.033  | 0.041  | 0.85        | 1.05  |
| M   | 0°     | 10°    | 0°          | 10°   |
| S   | 0.264  | 0.287  | 6.70        | 7.30  |

- STYLE 3:  
 PIN 1. GATE  
 2. DRAIN  
 3. SOURCE  
 4. DRAIN

CASE 318E-04  
 TO-261AA  
 SOT-223  
 ISSUE H

Motorola reserves the right to make changes without further notice to any products herein. Motorola makes no warranty, representation or guarantee regarding the suitability of its products for any particular purpose, nor does Motorola assume any liability arising out of the application or use of any product or circuit, and specifically disclaims any and all liability, including without limitation consequential or incidental damages. "Typical" parameters which may be provided in Motorola data sheets and/or specifications can and do vary in different applications and actual performance may vary over time. All operating parameters, including "Typicals" must be validated for each customer application by customer's technical experts. Motorola does not convey any license under its patent rights nor the rights of others. Motorola products are not designed, intended, or authorized for use as components in systems intended for surgical implant into the body, or other applications intended to support or sustain life, or for any other application in which the failure of the Motorola product could create a situation where personal injury or death may occur. Should Buyer purchase or use Motorola products for any such unintended or unauthorized application, Buyer shall indemnify and hold Motorola and its officers, employees, subsidiaries, affiliates, and distributors harmless against all claims, costs, damages, and expenses, and reasonable attorney fees arising out of, directly or indirectly, any claim of personal injury or death associated with such unintended or unauthorized use, even if such claim alleges that Motorola was negligent regarding the design or manufacture of the part. Motorola and  are registered trademarks of Motorola, Inc. Motorola, Inc. is an Equal Opportunity/Affirmative Action Employer.

**How to reach us:**

**USA/EUROPE/Locations Not Listed:** Motorola Literature Distribution;  
P.O. Box 20912; Phoenix, Arizona 85036. 1-800-441-2447 or 602-303-5454

**MFAX:** RMFAX0@email.sps.mot.com – TOUCHTONE 602-244-6609  
**INTERNET:** <http://Design-NET.com>

**JAPAN:** Nippon Motorola Ltd.; Tatsumi-SPD-JLDC, 6F Seibu-Butsuryu-Center,  
3-14-2 Tatsumi Koto-Ku, Tokyo 135, Japan. 03-81-3521-8315

**ASIA/PACIFIC:** Motorola Semiconductors H.K. Ltd.; 8B Tai Ping Industrial Park,  
51 Ting Kok Road, Tai Po, N.T., Hong Kong. 852-26629298

