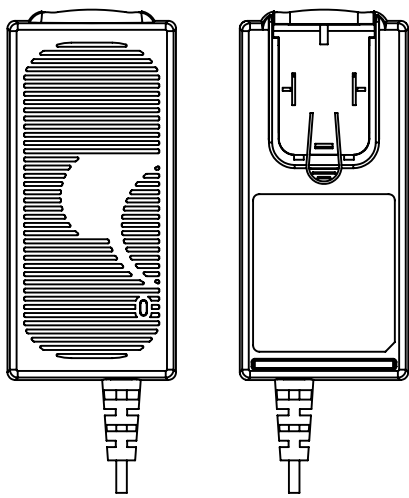
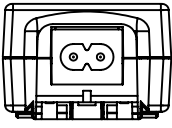
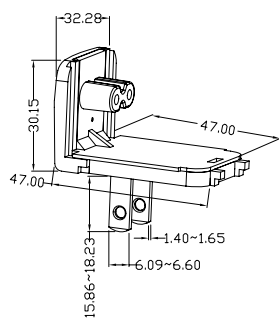


PROPRIETARY INFORMATION:
 PROPRIETARY OF GLOBTEK, INC. ANY REPRODUCTION, DISCLOSURE OR USE OF THIS DRAWING, IN WHOLE OR IN PART, IS HEREBY PROHIBITED EXCEPT AS SPECIFIED IN WRITING BY GLOBTEK, INC.

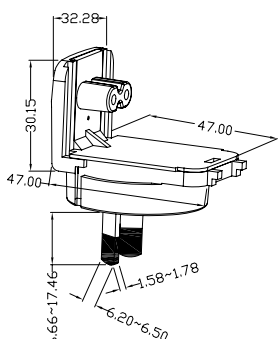
REVISION			
REV	DESCRIPTION	DATE	APPROVED
A	INITIAL RELEASE, RFS. 14243, BS	08/07/08	HM
B	REVISE PACKING, RFS. 18861, BS	06/16/10	HM
C	ADD "GT(M)91120 OR GT(M)91099", RFS. 25269, NF	10/25/13	HM
D	UPDATE DRAWING WITH LOCATING TAB, RFS. 26719, NF	04/07/17	MK



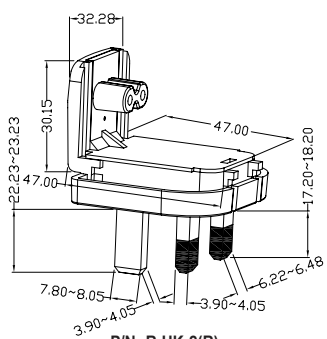
RELEASED
 By N.Frost at 3:49 pm, Jun 14, 2017



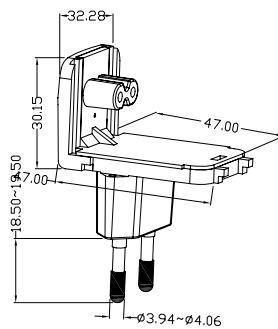
P/N: R-NA-2(R)
 NORTH AMERICA
 JAPAN



P/N: R-SAA-2(R)
 AUSTRALIA



P/N: R-UK-2(R)
 UNITED KINGDOM
 HONG KONG
 SINGAPORE



P/N: R-EU-2(R)
 EUROPE
 SOUTH AMERICA

INPUT CONNECTORS OPTIONS		Input connector
Pins included in Kit		R-Kit-2(R)
1	CLASS II MODEL NEMA 1-15P AC POWER PLUG WITH 2 PRONGS, R-NA-2(R)	X
2	AUSTRALIAN CONFIGURATION: SAA 2 PINS CLASS II, R-SAA-2(R)	X
3	UK CONFIGURATION: UK 2 PINS CLASS II, R-UK-2(R)	X
4	EUROPEAN CONFIGURATION: EUROPLUG 2 PINS, CLASS II, R-EU-2(R)	X

Foot Note:
 Globtek Inc. will not be liable for the safety and performance of these power supplies if unauthorized access and repair occurs. End user should consult applicable UL, CSA or EN standards for proper installation instructions

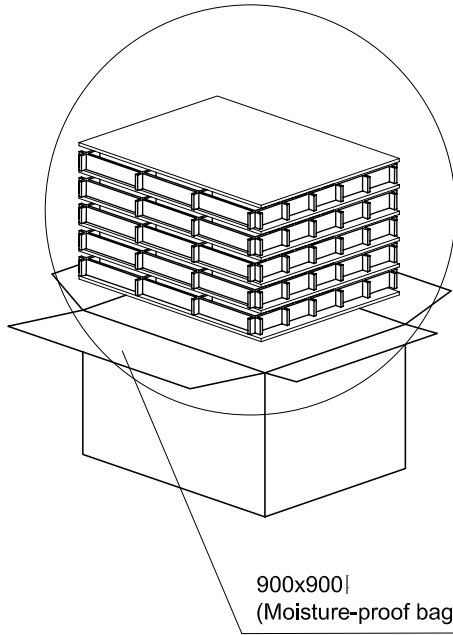
DASH NO.	PART NO	REV.	DESCRIPTION	NOTES
----------	---------	------	-------------	-------

TABULATION BLOCK

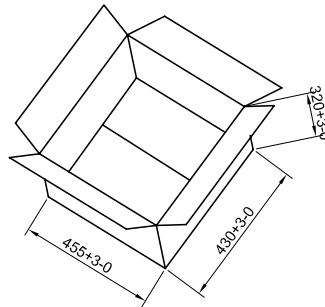
Limitation of Use: Globtek product are not authorized for use as mission critical components in life support, hazardous environment, nuclear or aircraft applications without prior written approval from the CEO of Globtek Inc.	INIT.BY: FS		DATE: 07/12/04	TOLERANCES: DECIMALS ANGULAR .xx +/- 0.1 +/- 1' .xxx +/- .005	GlobTek, Inc. www.globtek.com	186 Veterans Dr. Northvale, NJ 07647 Tel. 201-784-1000 Fax 201.784.0111		
	DRAWN: NF		DATE: 07/12/04			MILLIMETERS ANGULAR .xx +/- 0.3 +/- 1' .xxx +/- .013	DWG TITLE: INTERCHANGEABLE PLUG KIT	
	APRVD : DMR		DATE: 07/12/04	FSCN No.: G, N	SIZE A	MODEL NO: N/A	REV. D	
			SCALE: NONE	PART NO: R-KIT-2(R)		SHEET 1 OF 2		

PROPRIETARY INFORMATION:
 PROPRIETARY OF GLOBTEK, INC. ANY REPRODUCTION, DISCLOSURE OR USE OF THIS DRAWING, IN WHOLE OR IN PART, IS HEREBY PROHIBITED EXCEPT AS SPECIFIED IN WRITING BY GLOBTEK, INC.

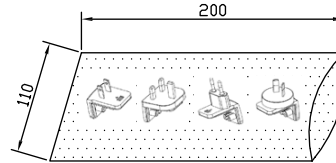
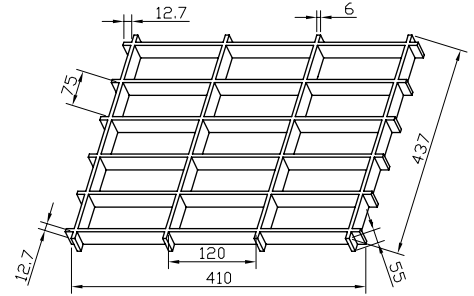
PACKING



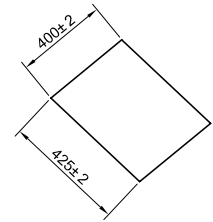
300 PCS/CARTON (60PCS*5)



OUTSIDE CARTON



PE BAG 200*110



PARTITION

5	5PCS	CELL PARTITION	413-02240023(R)
4	1PCS	OUTER CARTON	412-02240017(R)
3	6PCS	PARTITION	413-02240024(R)
2	75PCS	PE BAG	465-01200110(R)
1	1PCS	POLY BAG	465-00900900(R)

GlobTek, Inc.
 www.globtek.com

186 Veterans Dr. Northvale, NJ 07647
 Tel. 201-784-1000 Fax 201.784.0111

DWG TITLE: INTERCHANGEABLE PLUG KIT

MODEL NO: N/A

REV.
D

PART NO: R-KIT-2(R)

SHEET 2 OF 2