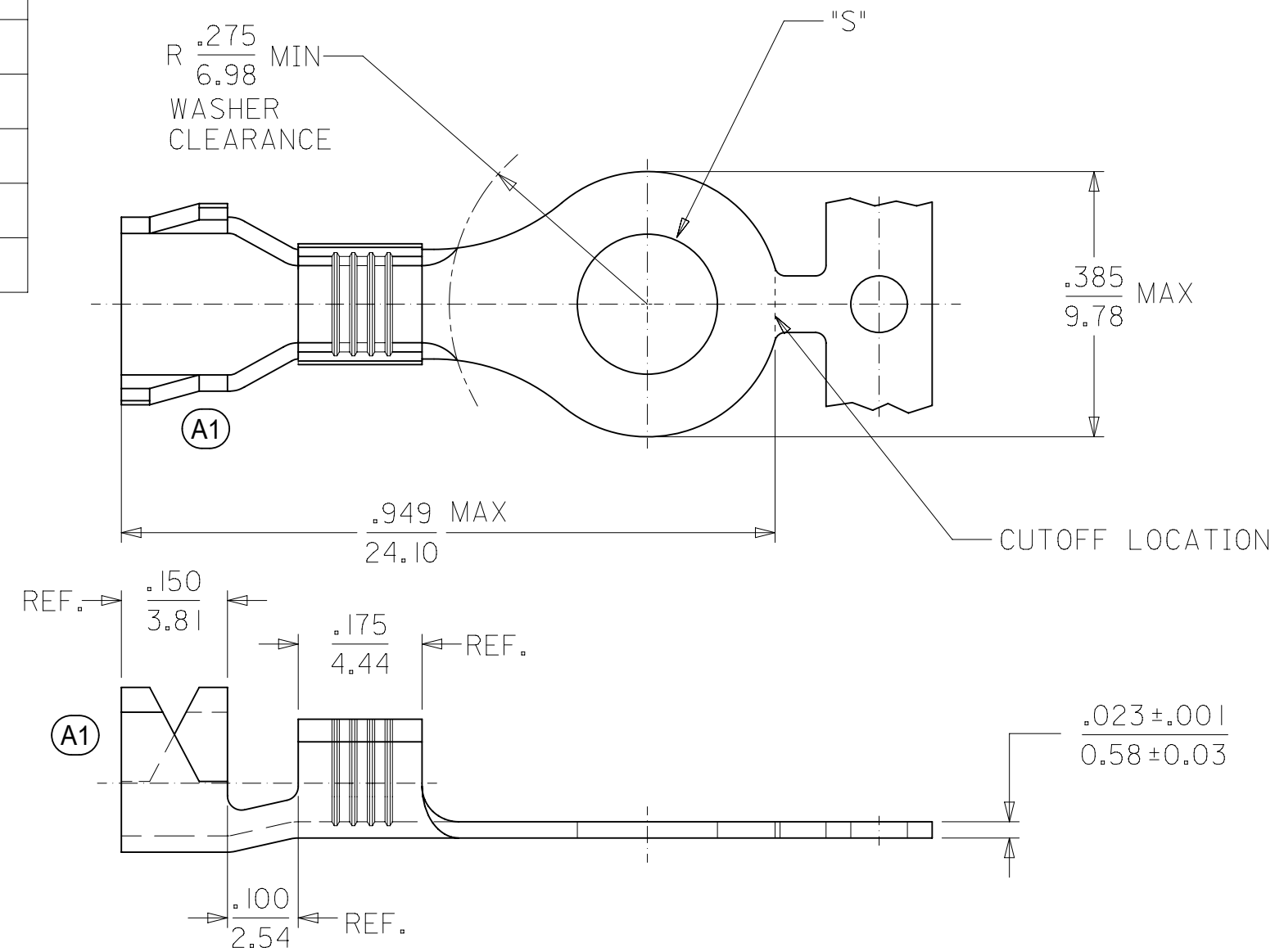


10	9	8	7	6	5	4	3	2	1
MATERIAL NUMBER	ENGINEERING NUMBER	STUD SIZE "S" ±.010/-.025)	MATERIAL	PLATING					
190850002	19085-0002	#8 = .173/(4.39)	BRASS	NONE					
190850003	19085-0003	#10 = .198/(5.03)	BRASS	NONE					
190850004	RZ-4129-06	#6 = .146/(3.71)	BRASS	TIN					
190850005	RZ-4129-08	#8 = .173/(4.39)	BRASS	TIN					
190850006	RZ-4129-10	#10 = .198/(5.03)	BRASS	TIN					
190850007	RZ-S-4129-06	#6 = .146/(3.71)	STEEL	TIN					
190850008	RZ-S-4129-08	#8 = .173/(4.39)	STEEL	TIN					
190850009	RZ-S-4129-10	#10 = .198/(5.03)	STEEL	TIN					



SALES DRAWING

- NOTES:
1. MATERIAL: SEE CHART.
  2. PLATING: SEE CHART.
  3. WIRE RANGE: 18-14 AWG/1.3-2.6 MM.<sup>2</sup>
  4. PARTS ARE ROHS COMPLIANT.

THIS DRAWING CONTAINS INFORMATION THAT IS PROPRIETARY TO MOLEX ELECTRONIC TECHNOLOGIES, LLC AND SHOULD NOT BE USED WITHOUT WRITTEN PERMISSION									
DIMENSION UNITS		SCALE		CURRENT REV DESC: OBSOLETE PART NO					
IN/MM		NTS		<b>molex</b> VIBRAKRIMP STRIP RING TONGUE TERMINAL 18-14 AWG PRODUCT CUSTOMER DRAWING DOCUMENT NUMBER: SD-19085-002   DOC TYPE: PSD   DOC PART: 001   REVISION: A2 EC NO: 628886   DRWN: VLOKESHA   2019/10/09 CHK'D: GGA   2020/01/13 APPR: GGA   2020/01/13 INITIAL REVISION: DRWN: BRE   2002/02/04 APPR:					
GENERAL TOLERANCES (UNLESS SPECIFIED)									
		MM	INCH						
4 PLACES	±								
3 PLACES	±								
2 PLACES	±								
1 PLACE	±								
0 PLACES	±								
ANGULAR TOL ± °				DRAFT WHERE APPLICABLE MUST REMAIN WITHIN DIMENSIONS		THIRD ANGLE PROJECTION		DRAWING SERIES	
				B-SIZE		19085		MATERIAL NUMBER CUSTOMER SHEET NUMBER	
				SEE CHART		GENERAL MARKET		1 OF 1	